

Number	18-001154-PR01 (NW-K20-06-en-01)
Owner	YAVUZ COMPANY d.o.o. Cehaje bb 75350 Srebrenik Bosnia-Herzegovina
Product	Plastic profile, profile combination: casement member - frame member
Designation	System: PVC profile BAUFENS 7 chambers
Details	Material Polyvinyl Chloride unplasticized (PVC-U); Projected width 124 mm; Structural depth 85 mm; Casement member: Designation BF 8502 - 7 chambers ; Cross section (W x T) 84 mm x 85 mm; Thickness of infill 24 mm; Edge cover of infill 26 mm; Reinforcement material Steel - galvanized Steel; Reinforcement designation BF8502-0; Frame member: Designation BF 8501 - 7 chambers ; Cross section (W x T) 74 mm x 85 mm; Reinforcement material Steel - galvanized Steel; Reinforcement designation BF8501-0
Special features	
Result	

Thermal transmittance according to EN 12412-2:2003-07



$$U_f = 1,1 \text{ W/(m}^2\text{K)}$$

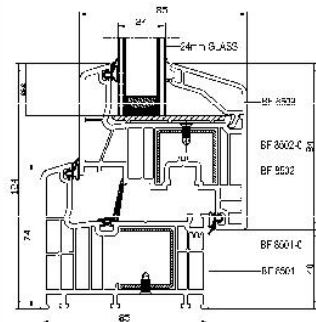
Basis *)

EN 12412-2:2003-07

*) and corresponding national versions
e.g. DIN EN)

Test report: 18-001154-PR01 PB-K20-06-en-01

Representation



The test was done without insulating glass unit.

Instructions for use

The results obtained can be used as evidence in accordance with the above basis.

Validity

There is no time limit.

When using this document the up-to-dateness of above basis and the conformity of the product have to be observed.

The data and results given relate solely to the tested/described specimen. This test/evaluation does not allow any statement to be made on further characteristics of the present structure regarding performance and quality.

Notes on publication

The ift-Guidance Sheet "Conditions and Guidance for the Use of ift Test Documents" applies.

ift Rosenheim
19.11.2018



Manuel Demel, M.BP, Dipl.-Ing. (FH)
Deputy Head of Testing Department
Building Physics



Konrad Huber, Dipl.-Ing. (FH)
Operating Testing Officer
Building Physics

Identity-Check



www.ift-rosenheim.de/ift-aepuert
ID: 4B7-06AF9