

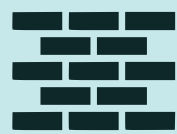
Product catalog

Catalog of uPVC profiles
and additional parts.

Premium uPVC profiles



PREMIUM UPVC PROFILES



Baufens[®]
Fenster & Türen

OUR **VISION** IS YOUR **HAPPINESS**

Index



About Us

Page: 04



Info

Page: 05



Certificates

Page: 06



Export map

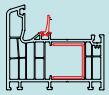
Page: 07



Color chart

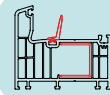
Page: 08

Products



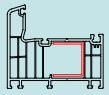
8500 Supremo

Page: 09-17



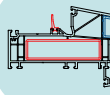
8500 Platinum

Page: 18-26



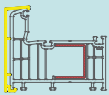
8500 Silver

Page: 27-34



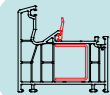
8500 NL

Page: 35-44



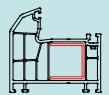
85 MD ALUCLIP

Page: 45-48



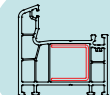
7600 Forest

Page: 49-58



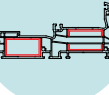
7000 series

Page: 59-67



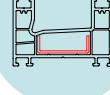
6000 series

Page: 68-77



Unique slide

Page: 78-90



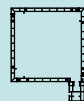
Atmoslide

Page: 91-101



Gaskets

Page: 102-103



Roller shutter Boxes

Page: 104-106



PVC window sills

Page: 107-109

Pioneers in uPVC Profile Manufacturing



Founded in Srebrenik, Yavuz d.o.o. is proud to be the first company in Bosnia and Herzegovina to produce uPVC profiles, setting a benchmark in quality, innovation, and industrial progress. Since our establishment, we have remained devoted to becoming a regional leader in the manufacture of high-performance PVC joinery, delivering reliable, energy-efficient solutions that exceed industry expectations.

Our success is rooted in a strong vision and a commitment to continuous advancement. We thrive by:

- ✓ Expanding our portfolio with cutting-edge products and system solutions
- ✓ Staying ahead of architectural and construction trends
- ✓ Ensuring product quality through certified testing by accredited laboratories
- ✓ Constantly investing in employee education and professional development
- ✓ Partnering exclusively with suppliers who uphold our standards

Driven by expertise, passion, and a strong sense of responsibility, we strive to offer products that meet the highest standards in design, durability, and sustainability.

Today, with a workforce of over 800 employees and a state-of-the-art production facility spanning 52,010 m², Yavuz d.o.o. stands as a symbol of technological excellence, trust, and progress—both in Bosnia and Herzegovina and across international markets.

As the company we are proud to deliver **certified uPVC profiles and complete carpentry solutions** that combine aesthetics, performance, and precision engineering.

uPVC profiles producer

Looking for the perfect blend of style, durability, and energy efficiency? Our uPVC profiles are the ideal choice for your windows and doors!

Built to withstand harsh weather conditions, ensuring long-lasting performance. Keep your home comfortable year-round and save on energy bills with our thermally efficient profiles. Easy to clean and maintain, giving you more time to enjoy your home. Available in a variety of colors and styles to match your unique taste and home decor.

Transform your living spaces with the best in uPVC technology.

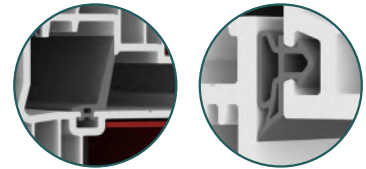


Raw material

At our company, we believe that exceptional products begin with the finest raw materials. That's why we source our uPVC raw materials from the USA, ensuring top-notch quality and performance in every profile we produce.

Gaskets

We understand that the smallest components can make the biggest difference. That's why we use only the highest quality gaskets in our uPVC profiles, ensuring optimal performance and longevity.



Steel reinforcement

Our uPVC profiles come with the option for steel reinforcement and a variety of multi-point locking systems places that make them among the safest and securest systems on the market.



Types of opening

Window and door types are distinguished by their way of installation and opening.

FIXED GLAZING

The glazing is inserted directly into the frame – there is no sash that could be opened.

TILT-AND-TURN FUNCTION

The window can be opened to the inside like a casement and it can be tilted.

CASEMENT – OUTWARD OPENING

The sash is to be opened outwards.

MULTI-SLIDE

The sash can be slid to the side to open the window. Multiple sashes can be used to stack

TILT-AND-SLIDE

The sash can be tilted and slid to one side to open the window.

SLIDE AND FOLD

The sashes can be folded, each running along a runner rail.

SMART-SLIDE

The sash is shifted off the gasket horizontally and slides, providing superior tightness against weather and noise. Multiple sashes can be used to stack



Many combinations available.

With our uPVC profiles and additional materials, you can create various types of windows and doors.


Export map

Our products are proudly exported to over 25 countries worldwide, showcasing our commitment to global reach and quality. Explore our export map to see how we connect with customers around the globe.

Europe

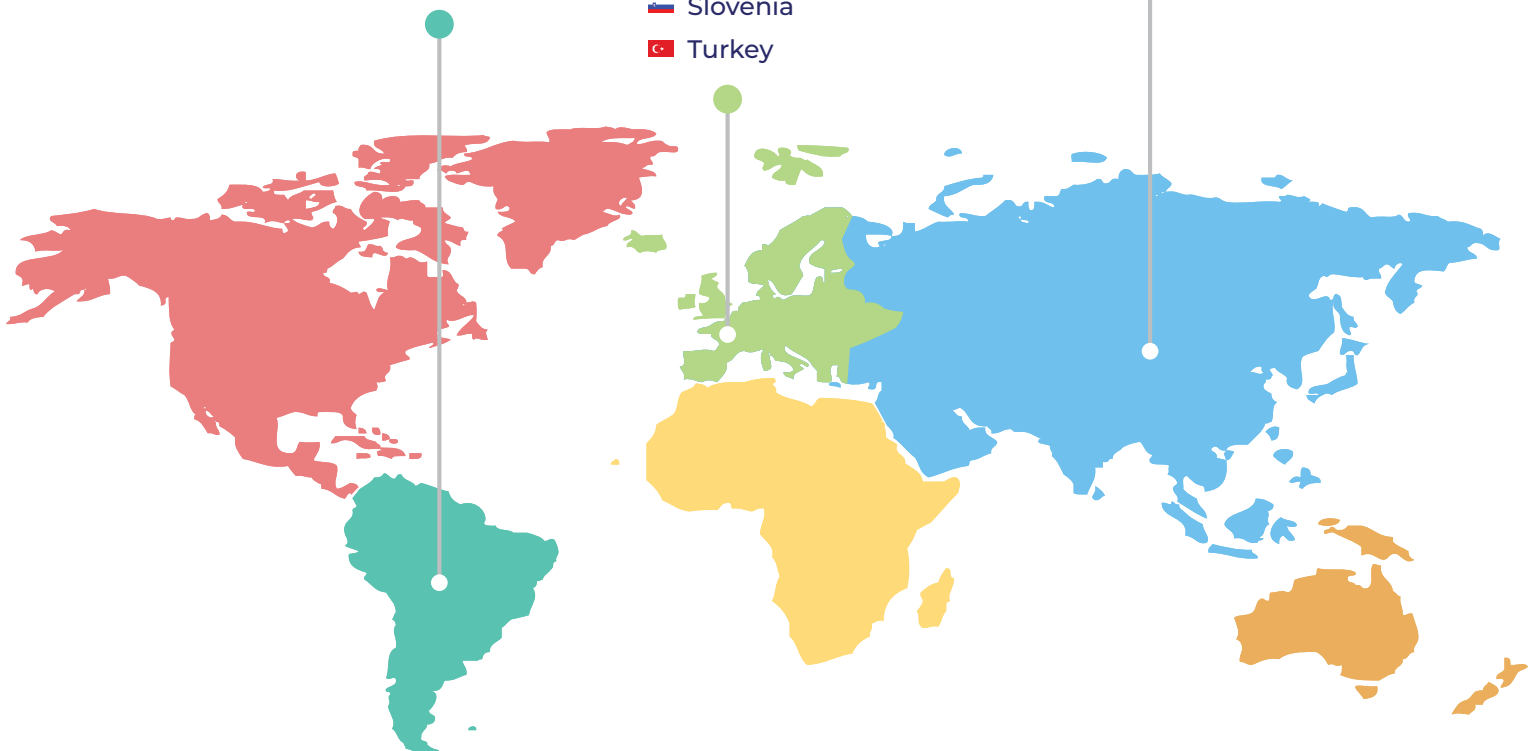
-  Albania
-  B&H
-  Bulgaria
-  Croatia
-  England
-  France
-  Greece
-  Germany
-  Hungary
-  Italy
-  Kosovo
-  Macedonia
-  Malta
-  Montenegro
-  Netherlands
-  Romania
-  Serbia
-  Slovenia
-  Turkey

Asia

-  South Korea
-  Saudi Arabia

South America

-  Argentina
-  Bolivia
-  Chile



Don't see your country?

If you want to be our distributor or need more information, you can always contact us. You can find all additional information on our website www.baufens.ba

Color chart

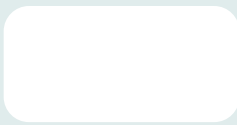
Premium range of lamination foils for uPVC profiles

Elevate your spaces with our premium range of uPVC profiles, available in striking colors such as White, Mahogany, Anthracite, Golden Oak, Dark Oak, Nussbaum, and Jet Black. Behind every gorgeous finish is our commitment to excellence: we use only high-quality lamination foils for each uPVC profile.

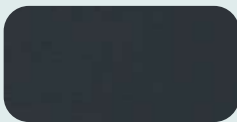
Our lamination foils are designed for superior durability and aesthetics, ensuring long-lasting color vibrancy and resistance to fading, scratches, and weathering. Each foil is carefully selected to complement the unique texture and grain of natural wood finishes, as well as modern, sleek tones—giving you the best of both worlds: style and strength.

Whether you desire a classic wood look or a contemporary touch, our advanced foil technology keeps your windows and doors looking new for years to come. These foils also offer enhanced UV protection and easy-to-clean surfaces, making our uPVC profiles ideal for both residential and commercial applications.

With our quality commitment and wide selection, you can trust our uPVC profiles to deliver not only visual appeal but also long-lasting performance—no matter the color or finish you choose.



Color: **White**
Color code: **9016**



Color: **Anthracite**
Color code: **7016**



Color: **Mahogany**
Color code: **8015**



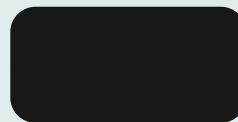
Color: **Golden Oak**
Color code: **8001**



Color: **Dark Oak**
Color code: **8007**



Color: **Nussbaum**
Color code: **8028**



Color: **Jet Black**
Color code: **9005**

Premium German lamination foils by Continental

Our uPVC profiles feature lamination foils produced in Germany, guaranteeing outstanding quality and precision. Crafted by Continental, these foils deliver reliable color stability, scratch resistance, and long-lasting aesthetics trusted by professionals worldwide.

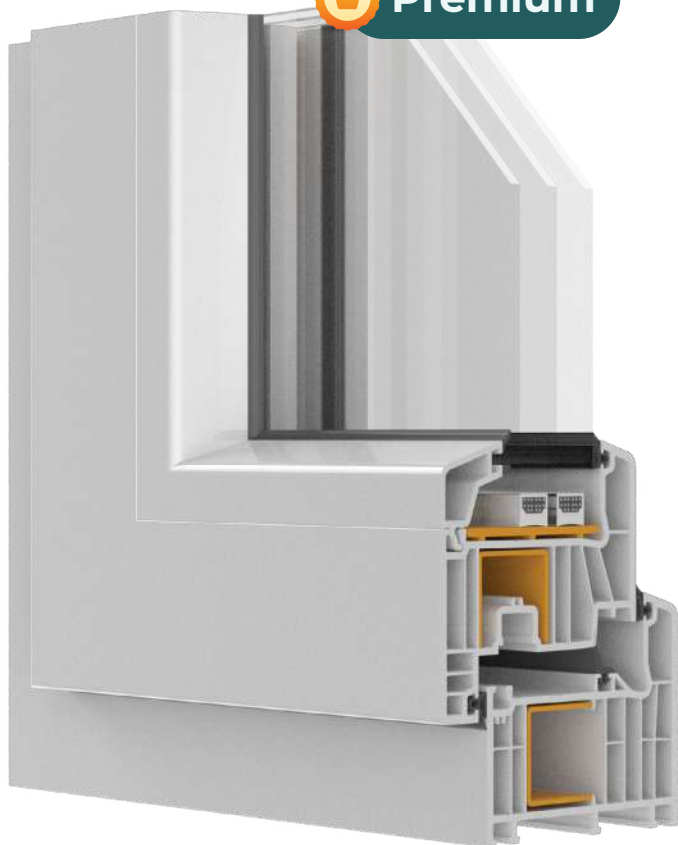


Energy Efficiency

uPVC windows and doors offer excellent thermal insulation, helping to reduce energy bills by keeping indoor temperatures stable.



 Premium



8500 Supremo

The A-Class 8500 system is designed for clients who desire a combination of contemporary elegance, practicality, and functionality. It guarantees top-tier comfort and significantly improves the quality of life for all its users.



7 chambers

Featuring seven-chamber technology, this system is engineered for superior thermal and sound insulation.



3 gaskets

Three levels of ventilation ensure excellent windproofing, optimal wind protection, and superior sound insulation.



Triple glass

Available with double glass of 24mm, three-layer 36mm glass and triple 44mm glazing bead.



85mm width

Our 85mm width uPVC profile offers exceptional durability, energy efficiency, and a sleek design.



Quality and certified



Standard colors of our uPVC profiles

All other colors can be made to order



White



Anthracite



Golden Oak



Dark Oak



Nussbaum



Jet Black



Mahogany

Why to choose our products?

Our PVC window and door systems are manufactured using advanced technology and provide an excellent level of acoustic and thermal insulation, achieving the highest quality standards available.



Environment Friendly



Easy Installation



Cost Effective



Noise Reduction



Can be recycled



Less Maintenance



Fire Retardant



Long life



Thermal Insulation



Modern design



Premium uPVC profiles

Created from high-quality raw materials



Innovation

Enhanced durability and energy efficiency for construction needs



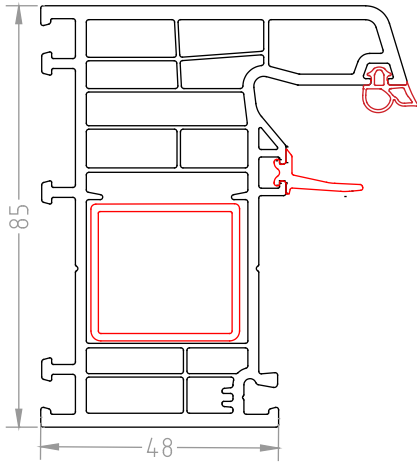
Reliability

Our uPVC profiles are designed for unmatched reliability

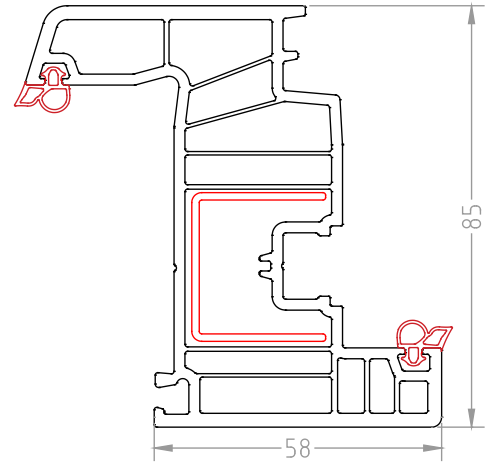


Scan code and read more informations about this uPVC profile series.

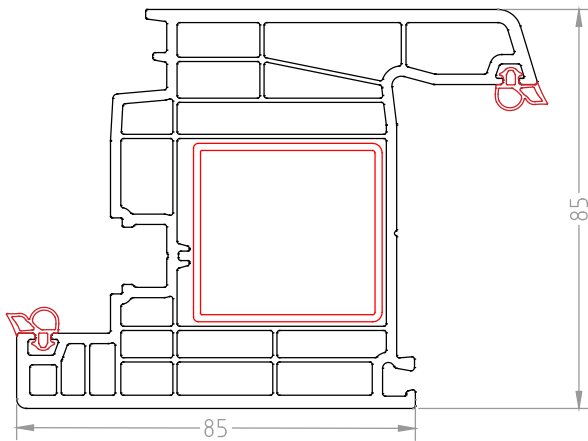
BF 8581
Frame profile



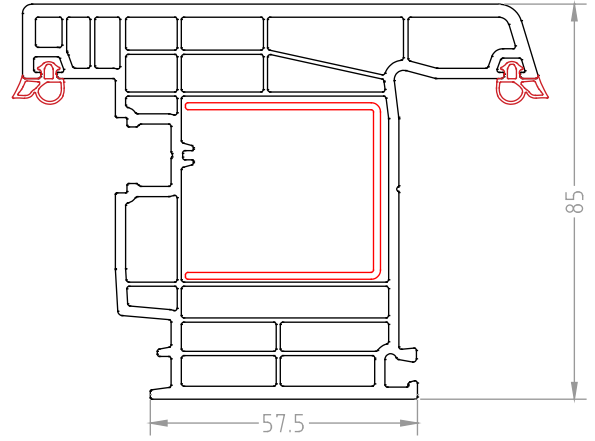
BF 8582
Sash profile



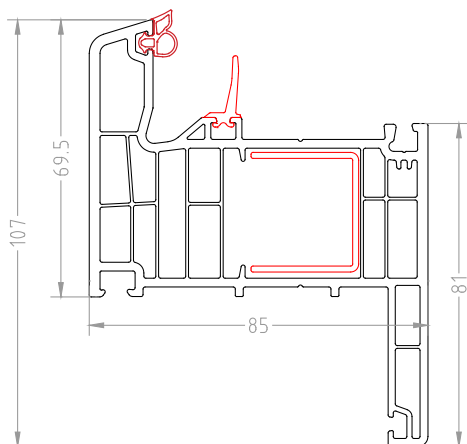
BF 8583
In turn door sash profile



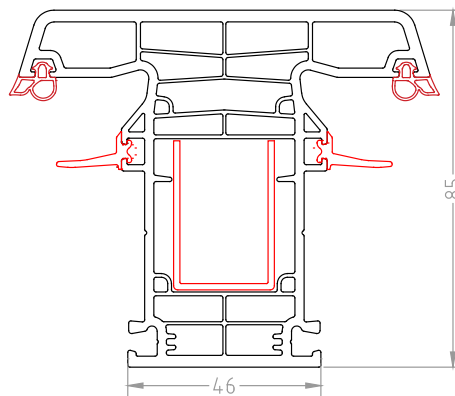
BF 8584
Outward opening door sash profile



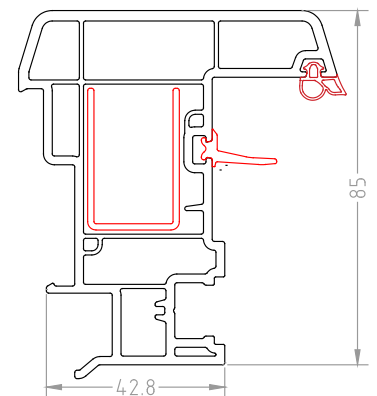
BF 8545
Renovation frame
Frame with cornice



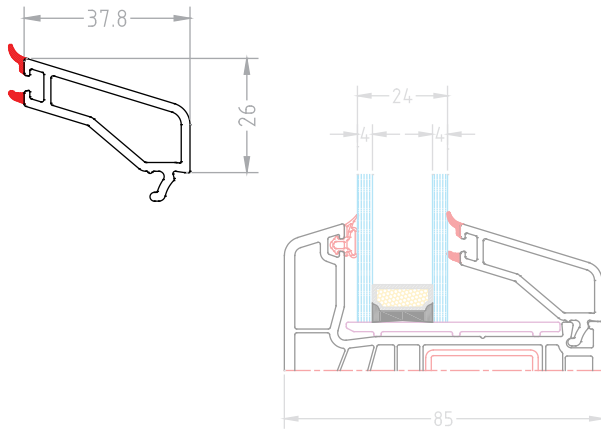
BF 8585
Mullion (T-bar) profile



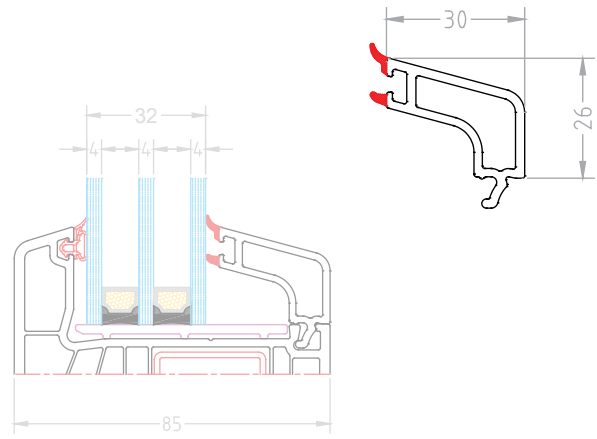
BF 8586
False mullion profile



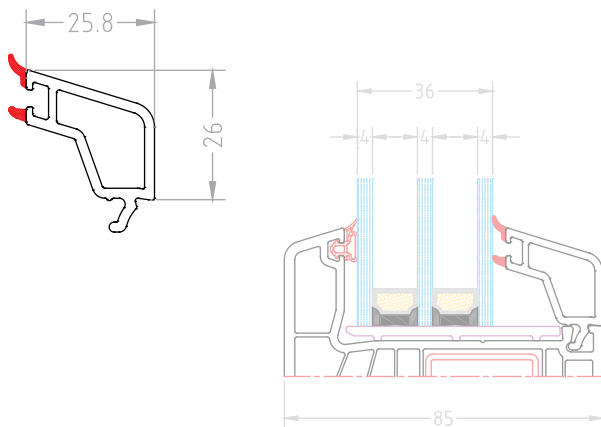
BF 8509
Double glazing bead
24 mm



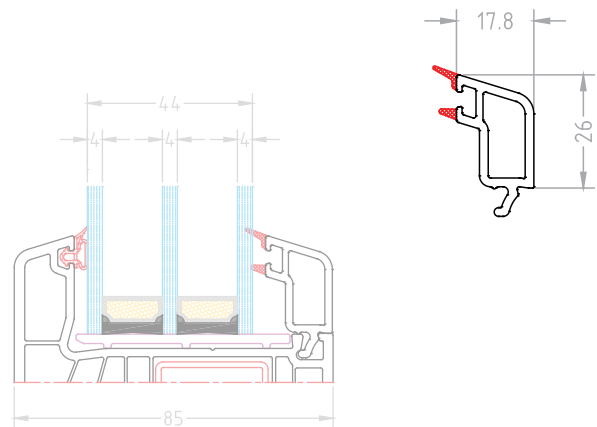
BF 7609
Triple glazing bead
32 mm



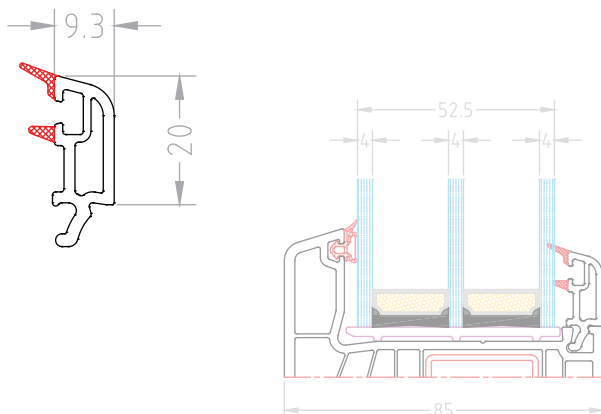
BF 8508
Triple glazing bead
36 mm



BF 8510
Triple glazing bead
44 mm



BF 7054
Triple glazing bead
52.50 mm

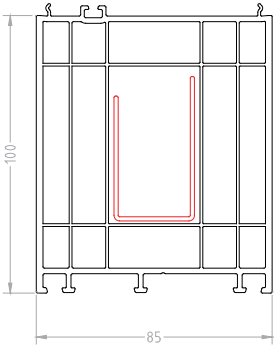


Glazing Beads for uPVC Windows and Doors

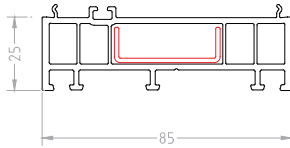
Glazing beads are crucial components in uPVC windows and doors, ensuring the glass panes are securely held in place while providing a neat and finished appearance. These beads are typically made from the same uPVC material as the window or door frames, ensuring a seamless and cohesive look.

- Durability
- Low Maintenance
- Energy Efficiency

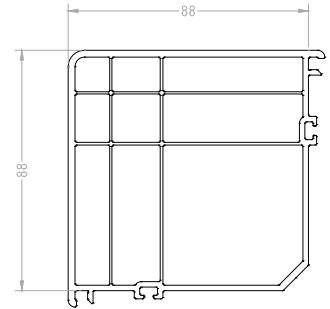
BF 8520
Profile extension
85*100mm



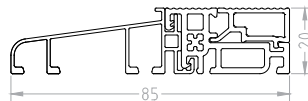
BF 8507
Profile extension
85*25mm



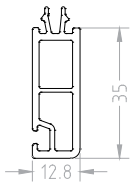
BF 8535
Connecting pillar



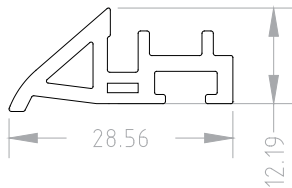
BF 8517
Treshold



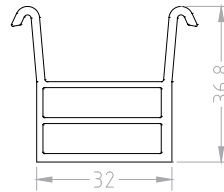
BF 5025
Additional cornice
part - Adaptor



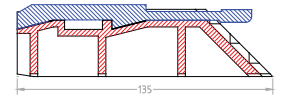
BF 8536
Window Drainboard



BF 7208
Blind box extension



BF 8588
Corner Connector
Chocks



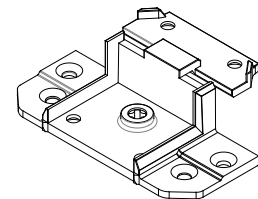
BF 8518
Treshold cap 85



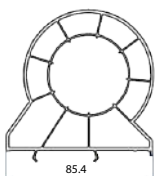
BF 8589
False mullion cap



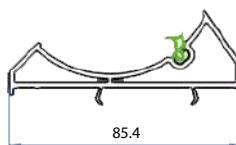
OKBT 85
Mullion (T-bar)
coupling 85



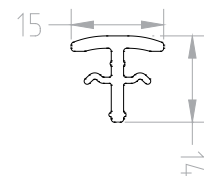
BF 8531
Angle connection pipe



BF 8542
Pipe adaptor

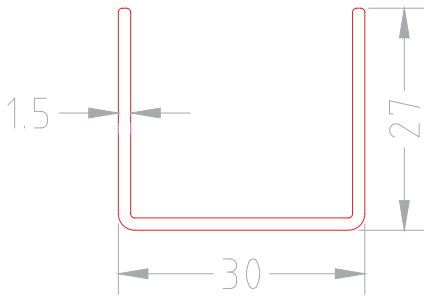


BF 7202
Connecting molding



Iron reinforcement

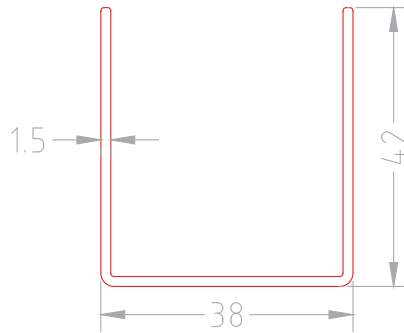
Can be used for:
BF 8501, BF 8521 and **BF 8581**
 Frame, **BF 8502, BF 8522** and
BF 8582 Sash, and **BF 8545**
 Frame with cornice



BF 409-12 (Thickness 1.2mm) **BF 409-15** (Thickness 1.5mm) **BF 409-20** (Thickness 2.0mm)

Iron reinforcement

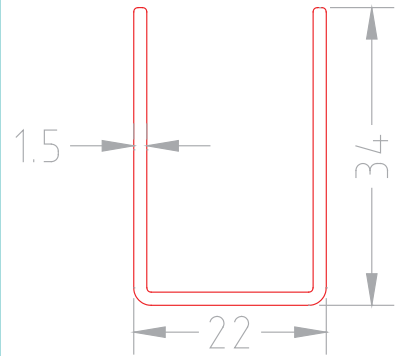
Can be used for: **BF 8503, BF 8504, BF 8523, BF 8583**
 and **BF 8584** Door sash



BF 410-12 (Thickness 1.2mm) **BF 410-15** (Thickness 1.5mm) **BF 410-20** (Thickness 2.0mm)

Iron reinforcement

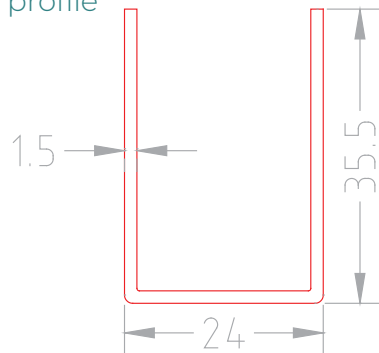
Can be used for:
BF 8506, BF 8526 and **BF 8586**
 False mullion profile



BF 411-12 (Thickness 1.2mm) **BF 411-15** (Thickness 1.5mm) **BF 411-20** (Thickness 2.0mm)

Iron reinforcement

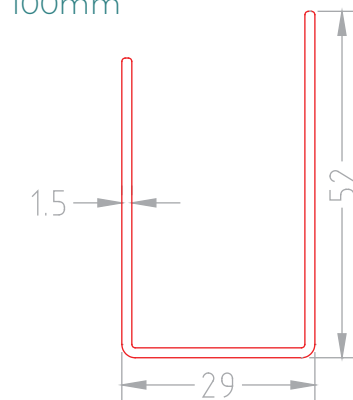
Can be used for:
BF 8505, BF 8525 and
BF 8585 Mullion (T-bar)
 profile



BF 414-12 (Thickness 1.2mm) **BF 414-15** (Thickness 1.5mm) **BF 414-20** (Thickness 2.0mm)

Iron reinforcement

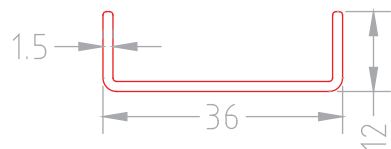
Can be used for:
BF 8520 Profile extension
 100mm



BF 407-12 (Thickness 1.2mm) **BF 407-15** (Thickness 1.5mm) **BF 407-20** (Thickness 2.0mm)

Iron reinforcement

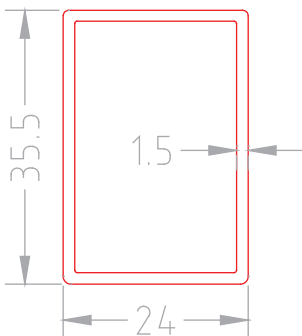
Can be used for:
BF 8507 Profile extension
 25mm



BF 408-12 (Thickness 1.2mm) **BF 408-15** (Thickness 1.5mm) **BF 408-20** (Thickness 2.0mm)

Iron reinforcement

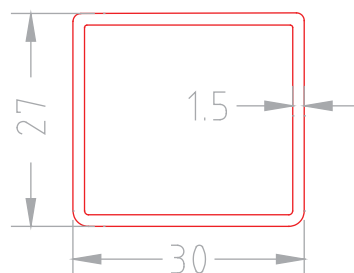
Can be used for:
BF 8505, BF 8525 and
BF 8585 Mullion (T-bar)
 profile



BF 415-12 (Thickness 1.2mm) **BF 415-15** (Thickness 1.5mm) **BF 415-20** (Thickness 2.0mm)

Iron reinforcement

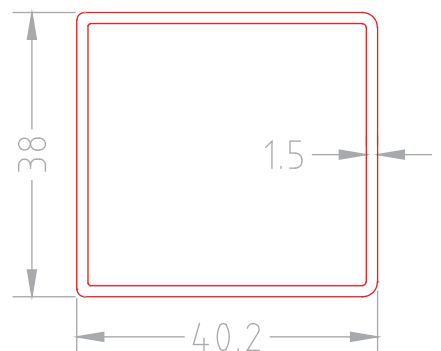
Can be used for:
BF 8501, BF 8521 and
BF 8581 Frame, **BF 8502, BF 8522** and **BF 8582** Sash,
 and **BF 8545** Frame
 with cornice



BF 413-12 (Thickness 1.2mm) **BF 413-15** (Thickness 1.5mm) **BF 413-20** (Thickness 2.0mm)

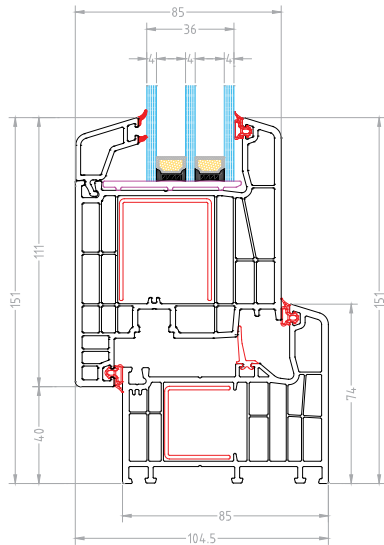
Iron reinforcement

Can be used for:
BF 8504, BF 8523, BF 8583
 and **BF 8584** Door sash

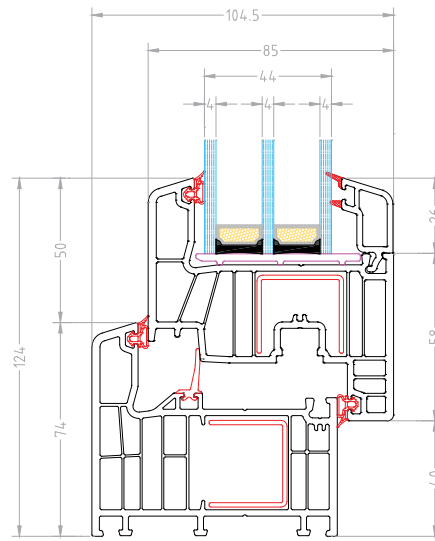


BF 416-12 (Thickness 1.2mm) **BF 416-15** (Thickness 1.5mm) **BF 416-20** (Thickness 2.0mm)

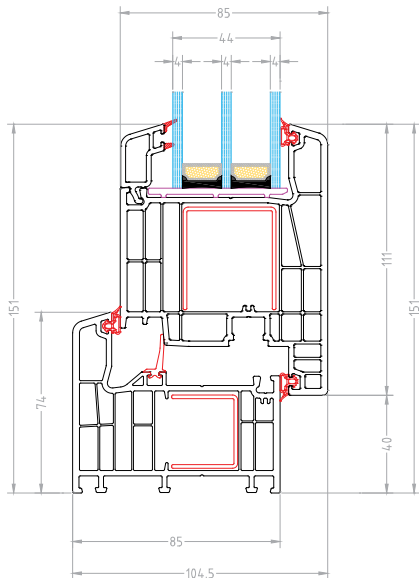
DOOR SYSTEM
Application of frame and door sash



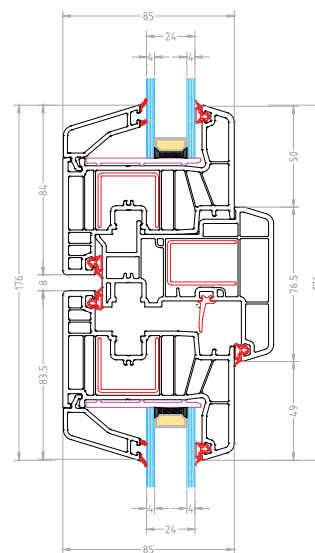
WINDOW SYSTEM
Application of frame and window sash



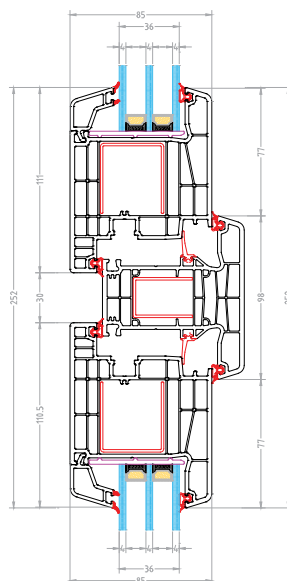
DOOR SYSTEM
Application of frame and outward opening door sash



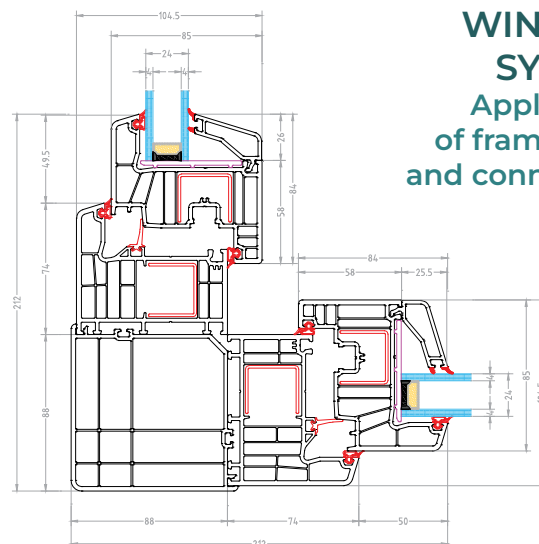
WINDOW SYSTEM
Application of sash and false mullion profile



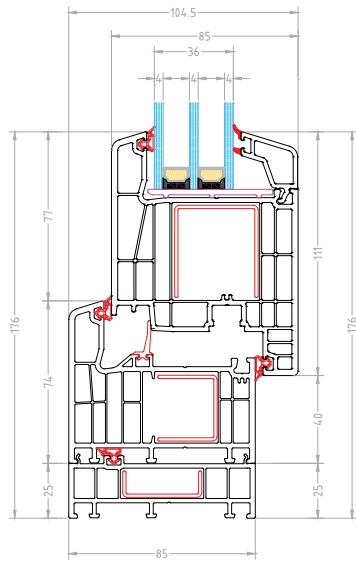
WINDOW SYSTEM
Application of door sash and Mullion (T-bar) profile



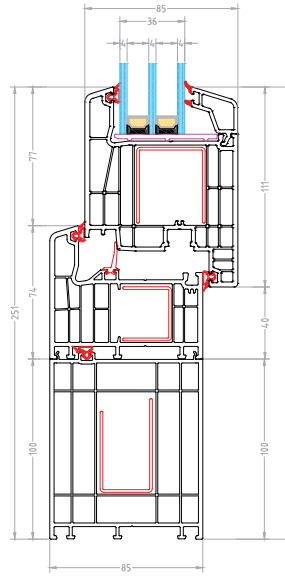
WINDOW SYSTEM
Application of frame, sash and connecting pillar



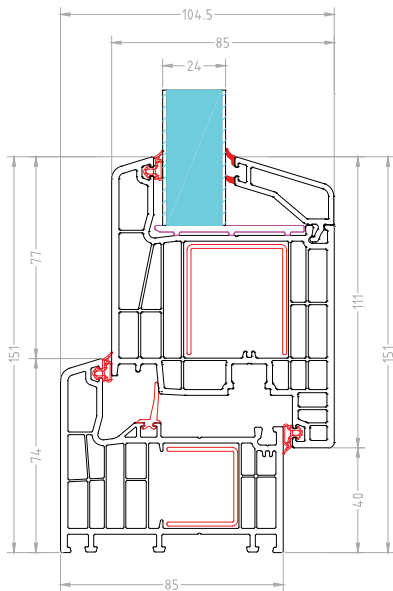
DOOR SYSTEM
Application of frame extension 25mm



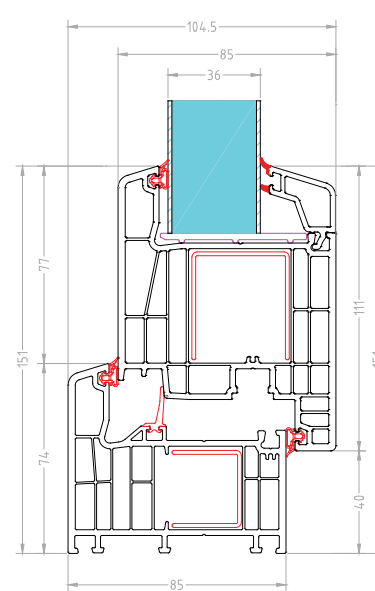
DOOR SYSTEM
Application of frame extension 100mm



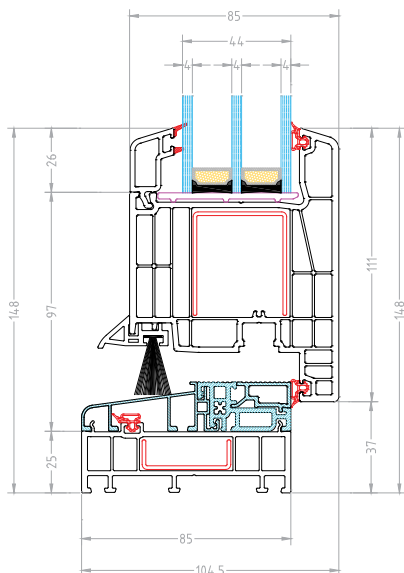
DOOR SYSTEM
Application of 24mm door panel



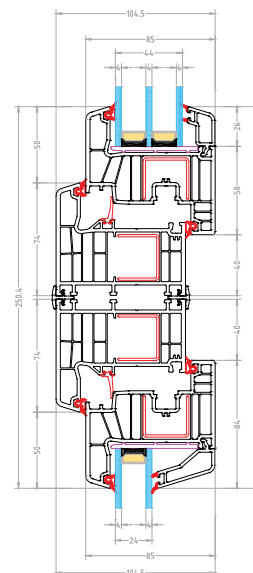
DOOR SYSTEM
Application of 36mm door panel



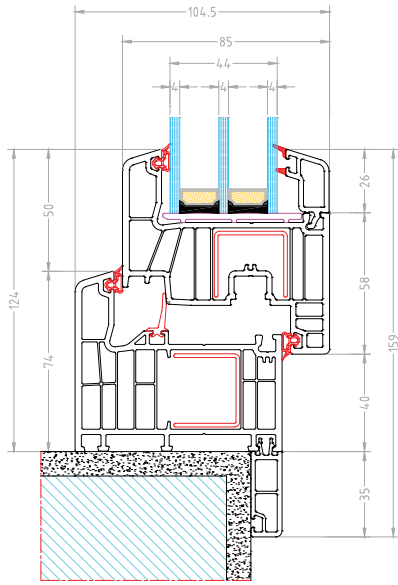
DOOR SYSTEM
Application of door sash, treshold and drainboard



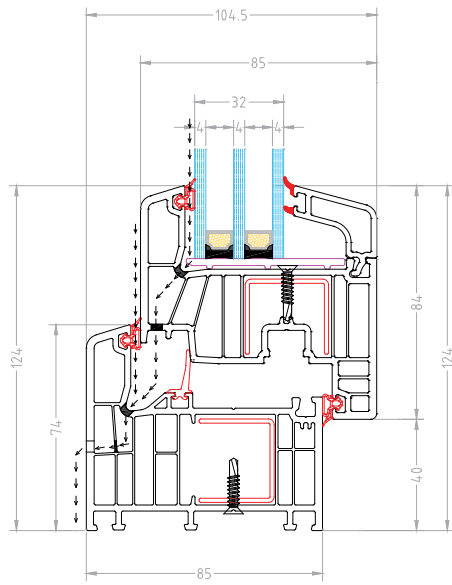
WINDOW SYSTEM
Application of connection molding



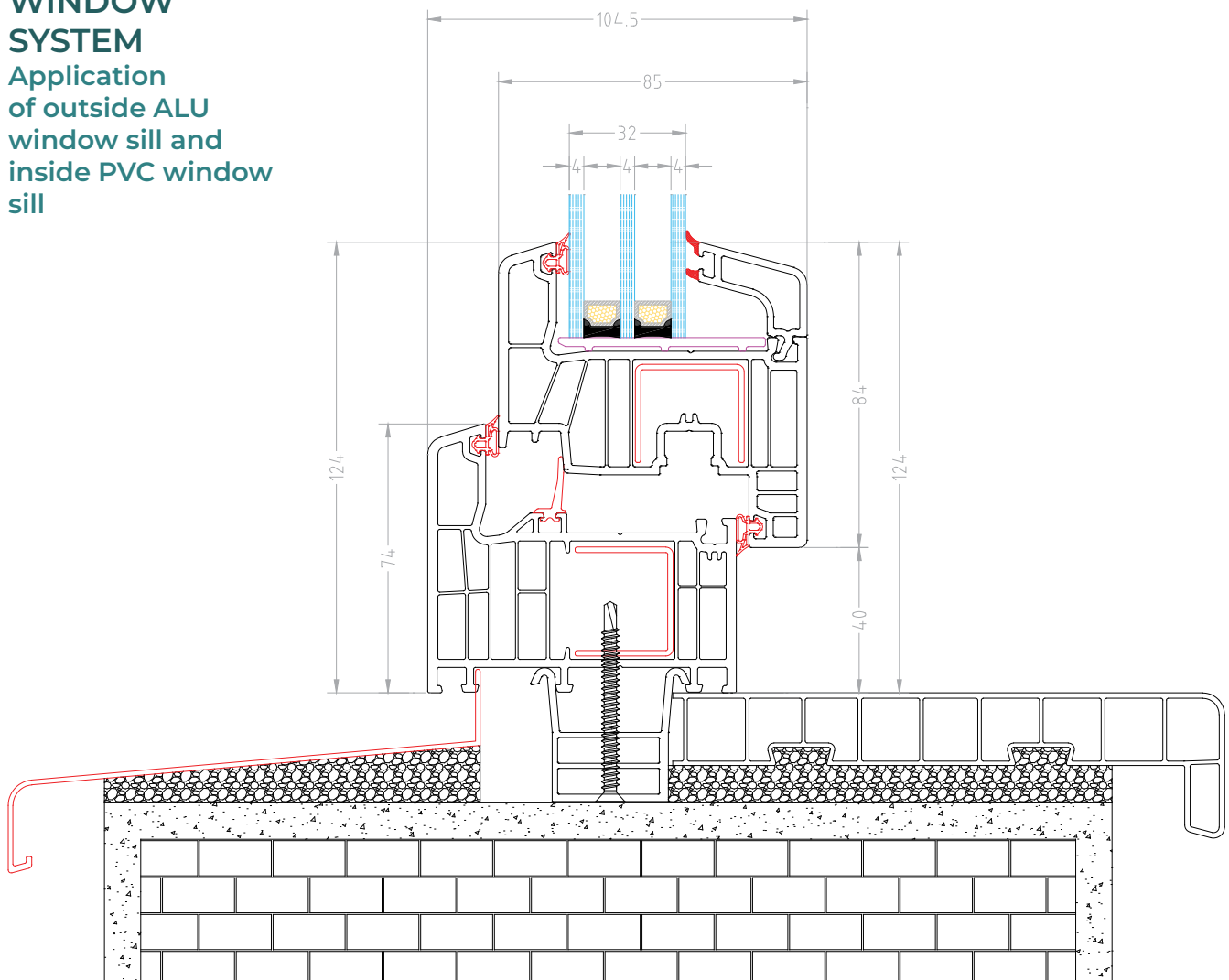
WINDOW SYSTEM
Application of additional cornice part on the wall



WINDOW SYSTEM
Drainage view



WINDOW SYSTEM
Application of outside ALU window sill and inside PVC window sill





Weather Resistance

uPVC profiles are highly resistant to weathering, including rain, wind, and sunlight, making them ideal for outdoor applications without fading or corroding.



8500 Platinum

The 8500 Platinum system offers modern elegance, practicality, and functionality, ensuring exceptional comfort and enhancing users' quality of life.



7 chambers

Featuring seven-chamber technology, this system is engineered for superior thermal and sound insulation.



3 gaskets

Three levels of ventilation ensure excellent windproofing, optimal wind protection, and superior sound insulation.



Triple glass

Available with double glass of 24mm, three-layer 36mm glass and triple 44mm glazing bead.



85mm width

Our 85mm width uPVC profile offers exceptional durability, energy efficiency, and a sleek design.



Quality and certified



Standard colors of our uPVC profiles

All other colors can be made to order



White



Anthracite



Golden Oak



Dark Oak



Nussbaum



Jet Black



Mahogany

Why to choose our products?

Our PVC window and door systems are manufactured using advanced technology and provide an excellent level of acoustic and thermal insulation, achieving the highest quality standards available.



Environment Friendly



Easy Installation



Cost Effective



Noise Reduction



Can be recycled



Less Maintenance



Fire Retardant



Long life



Thermal Insulation



Modern design



Premium uPVC profiles

Created from high-quality raw materials



Innovation

Enhanced durability and energy efficiency for construction needs



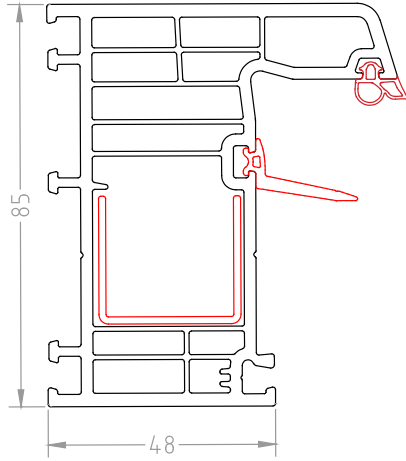
Reliability

Our uPVC profiles are designed for unmatched reliability

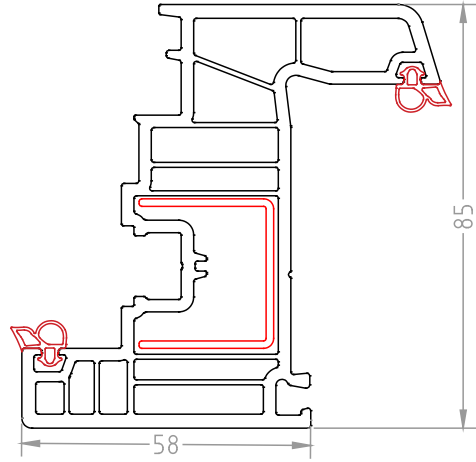


Scan code and read more informations about this uPVC profile series.

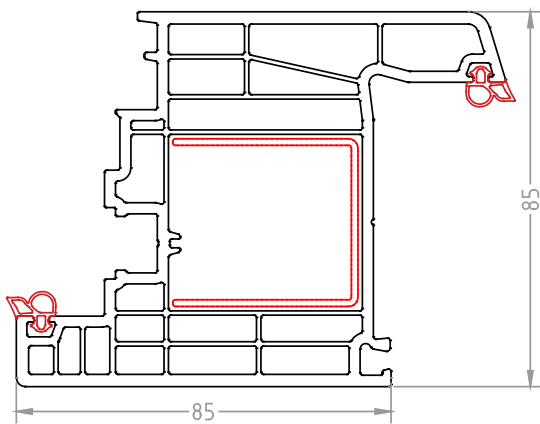
BF 8501
Frame profile



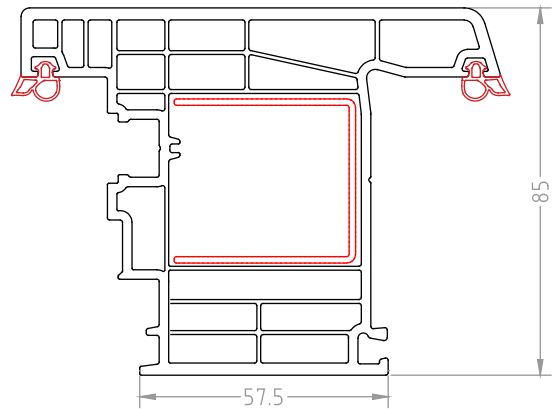
BF 8502
Sash profile



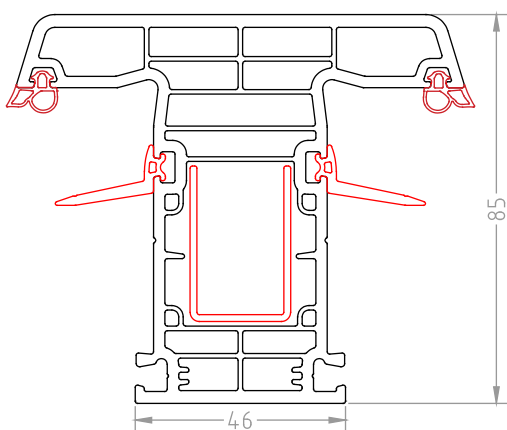
BF 8503
In turn door sash profile



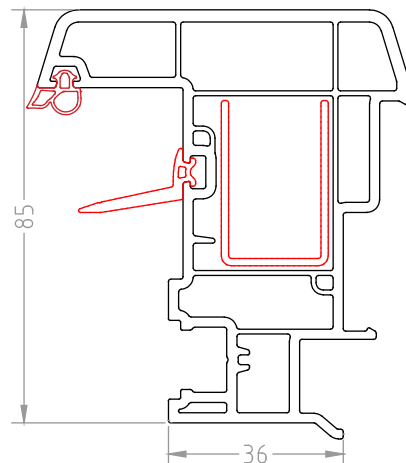
BF 8504
Outward opening door sash profile



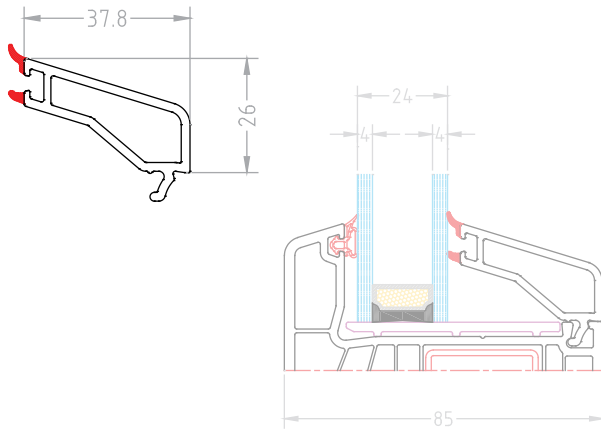
BF 8505
Mullion (T-bar) profile



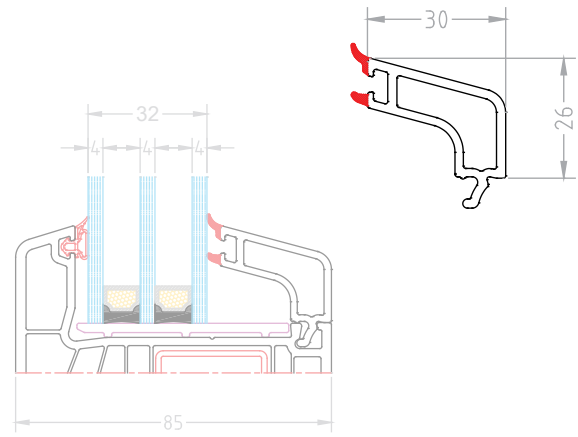
BF 8506
False mullion profile



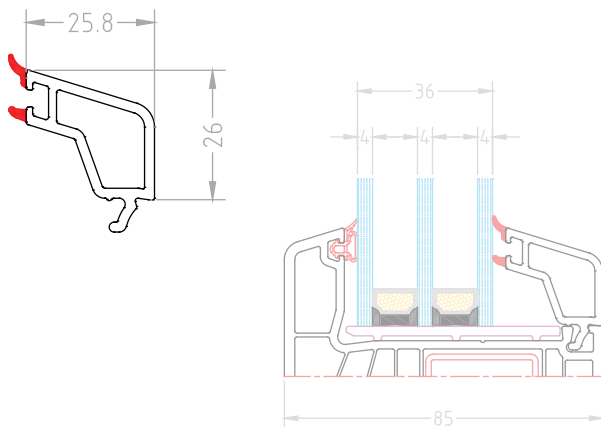
BF 8509
Double glazing bead
24 mm



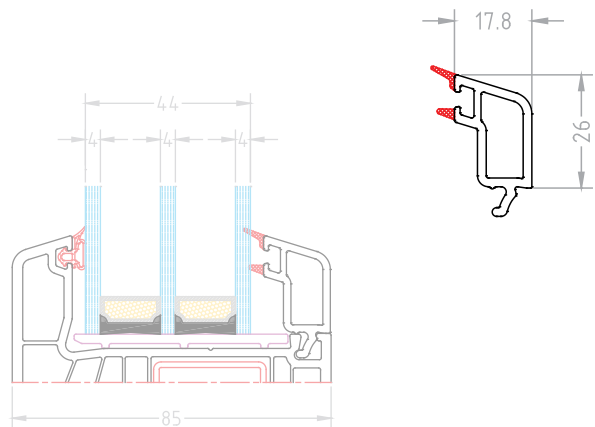
BF 7609
Triple glazing bead
32 mm



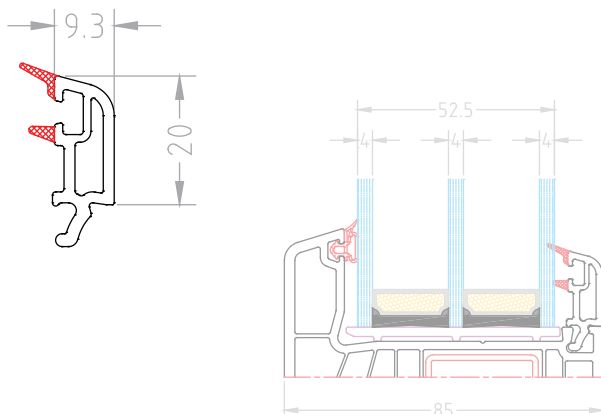
BF 8508
Triple glazing bead
36 mm



BF 8510
Triple glazing bead
44 mm



BF 7054
Triple glazing bead
52.50 mm



Glazing Beads for uPVC Windows and Doors

Glazing beads are crucial components in uPVC windows and doors, ensuring the glass panes are securely held in place while providing a neat and finished appearance. These beads are typically made from the same uPVC material as the window or door frames, ensuring a seamless and cohesive look.

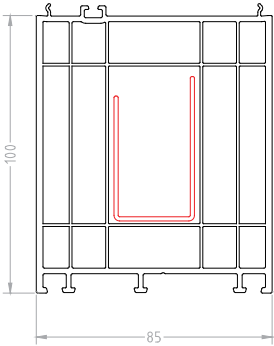
- Durability
- Low Maintenance
- Energy Efficiency

8500 Platinum

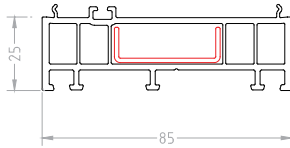
7 chamber uPVC profiles

Additional profiles

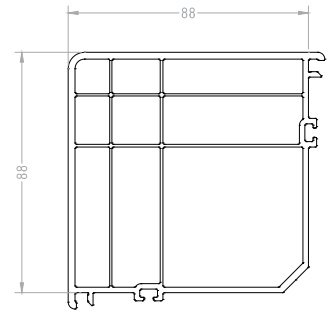
BF 8520
Profile extension
85*100mm



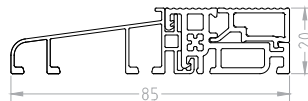
BF 8507
Profile extension
85*25mm



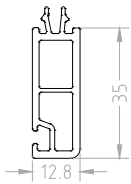
BF 8535
Connecting pillar



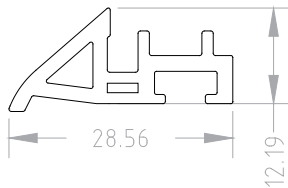
BF 8517
Treshold



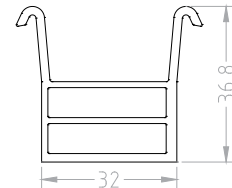
BF 5025
Additional cornice
part - Adaptor



BF 8536
Window Drainboard



BF 7208
Blind box extension



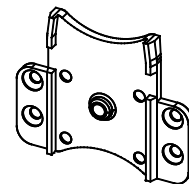
BF 8518
Treshold cap 85



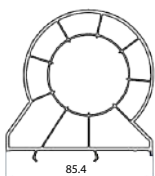
BF 8519
False mullion cap 85



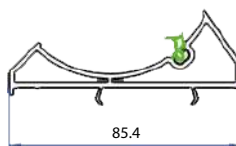
OB 0121
Mullion (T-bar)
coupling 85



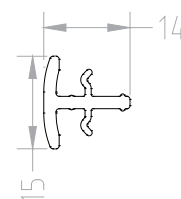
BF 8531
Angle connection pipe



BF 8542
Pipe adaptor

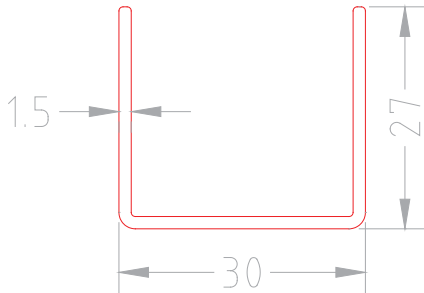


BF 7202
Connecting molding



Iron reinforcement

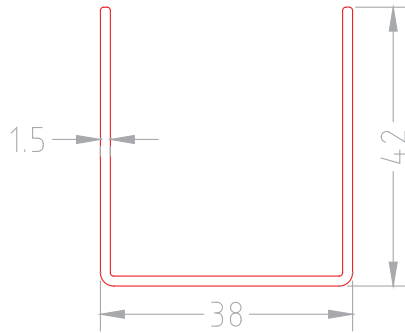
Can be used for:
BF 8501, BF 8521 and BF 8581 Frame, **BF 8502, BF 8522** and **BF 8582** Sash, and **BF 8545** Frame with cornice



BF 409-12 (Thickness 1.2mm) **BF 409-15** (Thickness 1.5mm) **BF 409-20** (Thickness 2.0mm)

Iron reinforcement

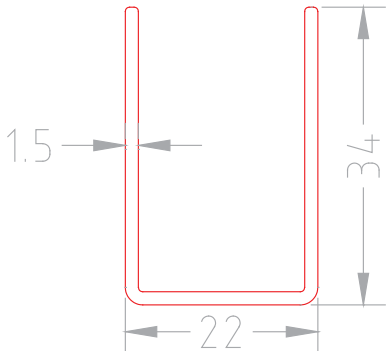
Can be used for: **BF 8503, BF 8504, BF 8523, BF 8583** and **BF 8584** Door sash



BF 410-12 (Thickness 1.2mm) **BF 410-15** (Thickness 1.5mm) **BF 410-20** (Thickness 2.0mm)

Iron reinforcement

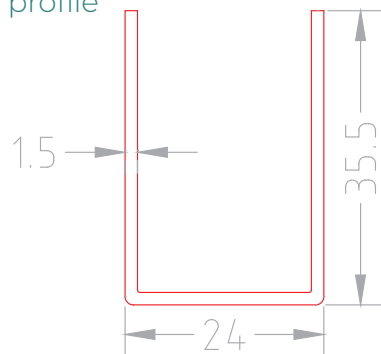
Can be used for:
BF 8506, BF 8526 and **BF 8586** False mullion profile



BF 411-12 (Thickness 1.2mm) **BF 411-15** (Thickness 1.5mm) **BF 411-20** (Thickness 2.0mm)

Iron reinforcement

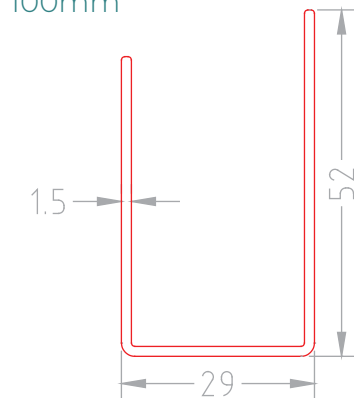
Can be used for:
BF 8505, BF 8525 and **BF 8585** Mullion (T-bar) profile



BF 414-12 (Thickness 1.2mm) **BF 414-15** (Thickness 1.5mm) **BF 414-20** (Thickness 2.0mm)

Iron reinforcement

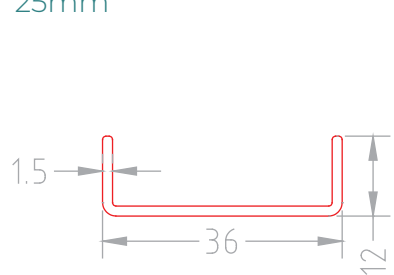
Can be used for:
BF 8520 Profile extension 100mm



BF 407-12 (Thickness 1.2mm) **BF 407-15** (Thickness 1.5mm) **BF 407-20** (Thickness 2.0mm)

Iron reinforcement

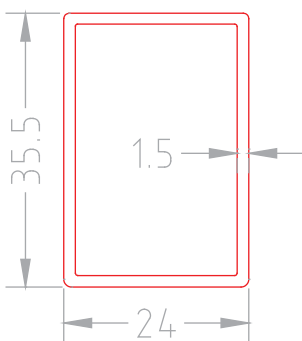
Can be used for:
BF 8507 Profile extension 25mm



BF 408-12 (Thickness 1.2mm) **BF 408-15** (Thickness 1.5mm) **BF 408-20** (Thickness 2.0mm)

Iron reinforcement

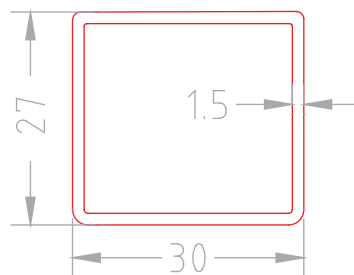
Can be used for:
BF 8505, BF 8525 and **BF 8585** Mullion (T-bar) profile



BF 415-12 (Thickness 1.2mm) **BF 415-15** (Thickness 1.5mm) **BF 415-20** (Thickness 2.0mm)

Iron reinforcement

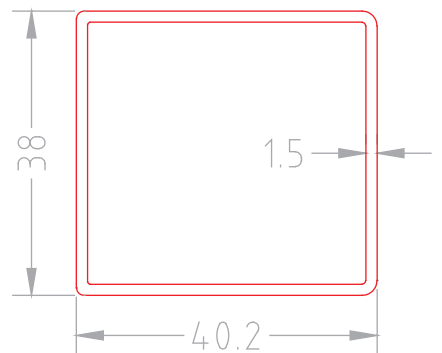
Can be used for:
BF 8501, BF 8521 and **BF 8581** Frame, **BF 8502, BF 8522** and **BF 8582** Sash, and **BF 8545** Frame with cornice



BF 413-12 (Thickness 1.2mm) **BF 413-15** (Thickness 1.5mm) **BF 413-20** (Thickness 2.0mm)

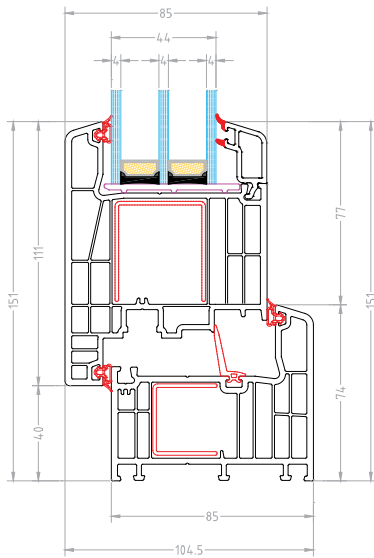
Iron reinforcement

Can be used for:
BF 8504, BF 8523, BF 8583 and **BF 8584** Door sash

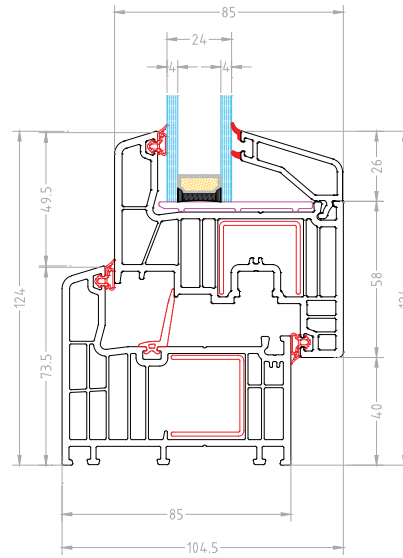


BF 416-12 (Thickness 1.2mm) **BF 416-15** (Thickness 1.5mm) **BF 416-20** (Thickness 2.0mm)

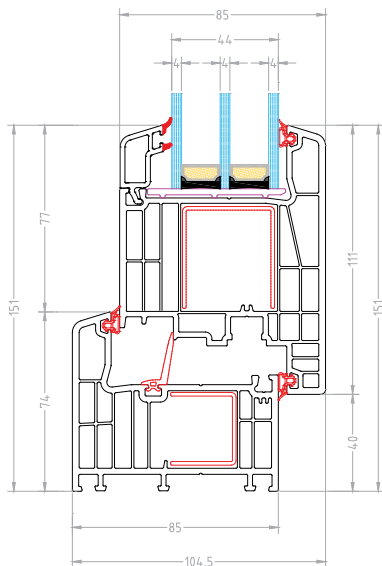
DOOR SYSTEM
Application of frame and door sash



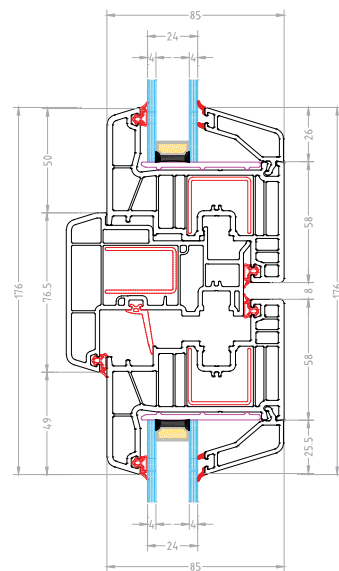
WINDOW SYSTEM
Application of frame and window sash



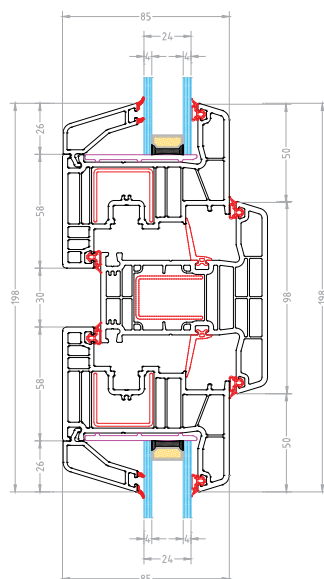
DOOR SYSTEM
Application of frame and outward opening window sash



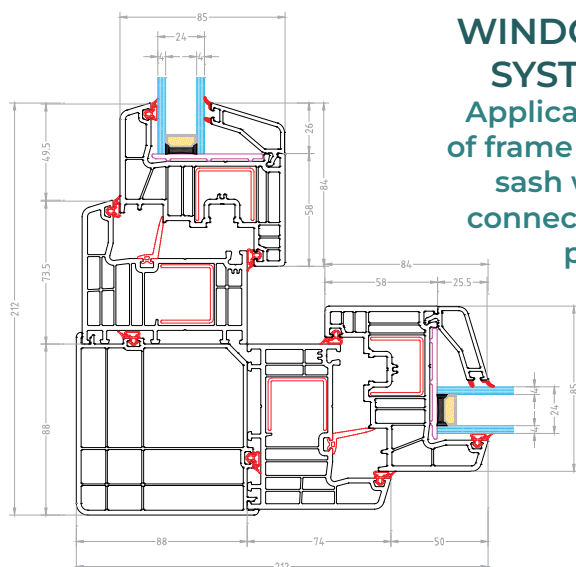
WINDOW SYSTEM
Application of sash and false mullion profile



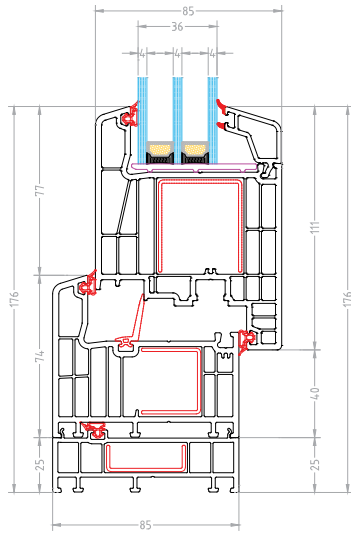
WINDOW SYSTEM
Application of sash and Mullion (T-bar) profile



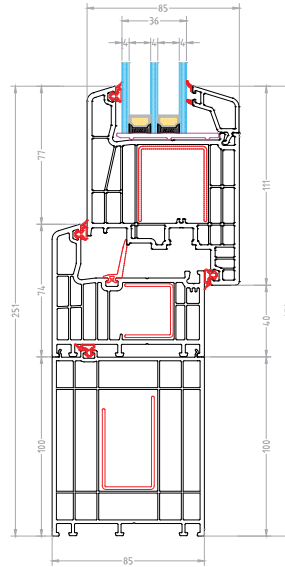
WINDOW SYSTEM
Application of frame and sash with connecting pillar



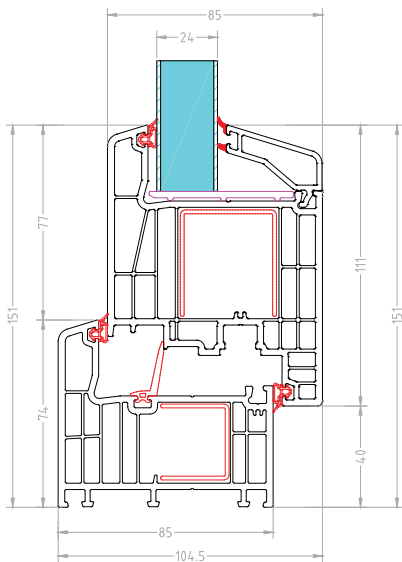
DOOR SYSTEM
Application of frame extension 25mm



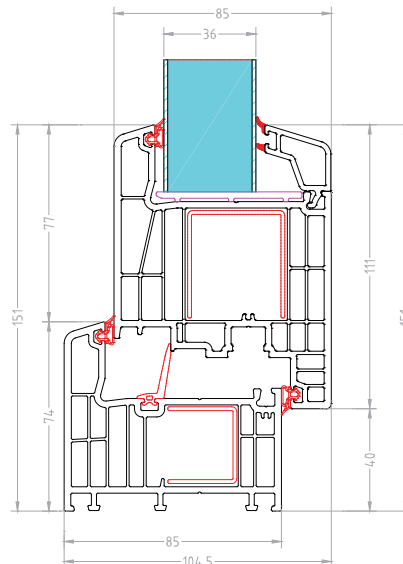
DOOR SYSTEM
Application of frame extension 100mm



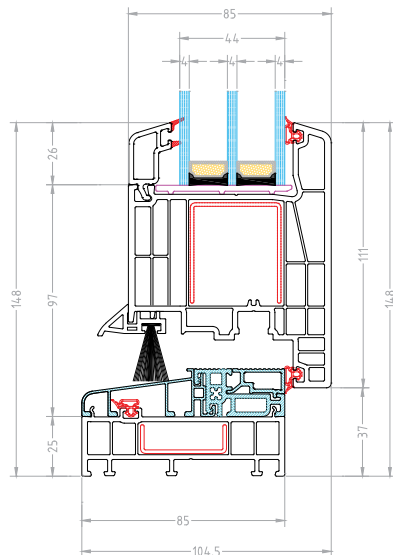
DOOR SYSTEM
Application of 24mm door panel



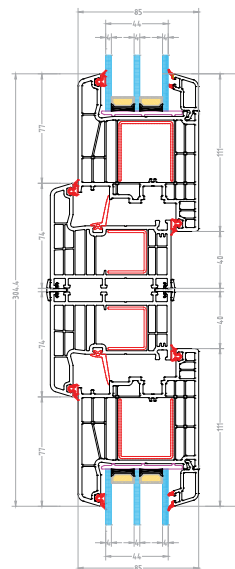
DOOR SYSTEM
Application of 36mm door panel



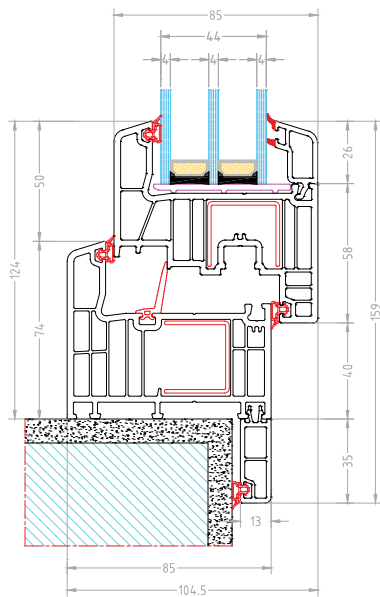
DOOR SYSTEM
Application of door sash treshold and drainboard



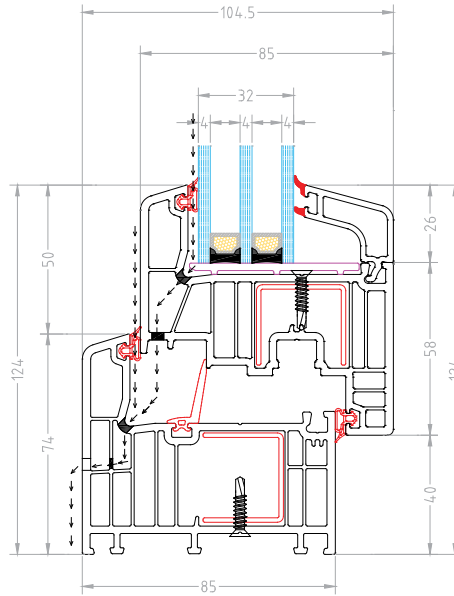
DOOR SYSTEM
Application of connection molding



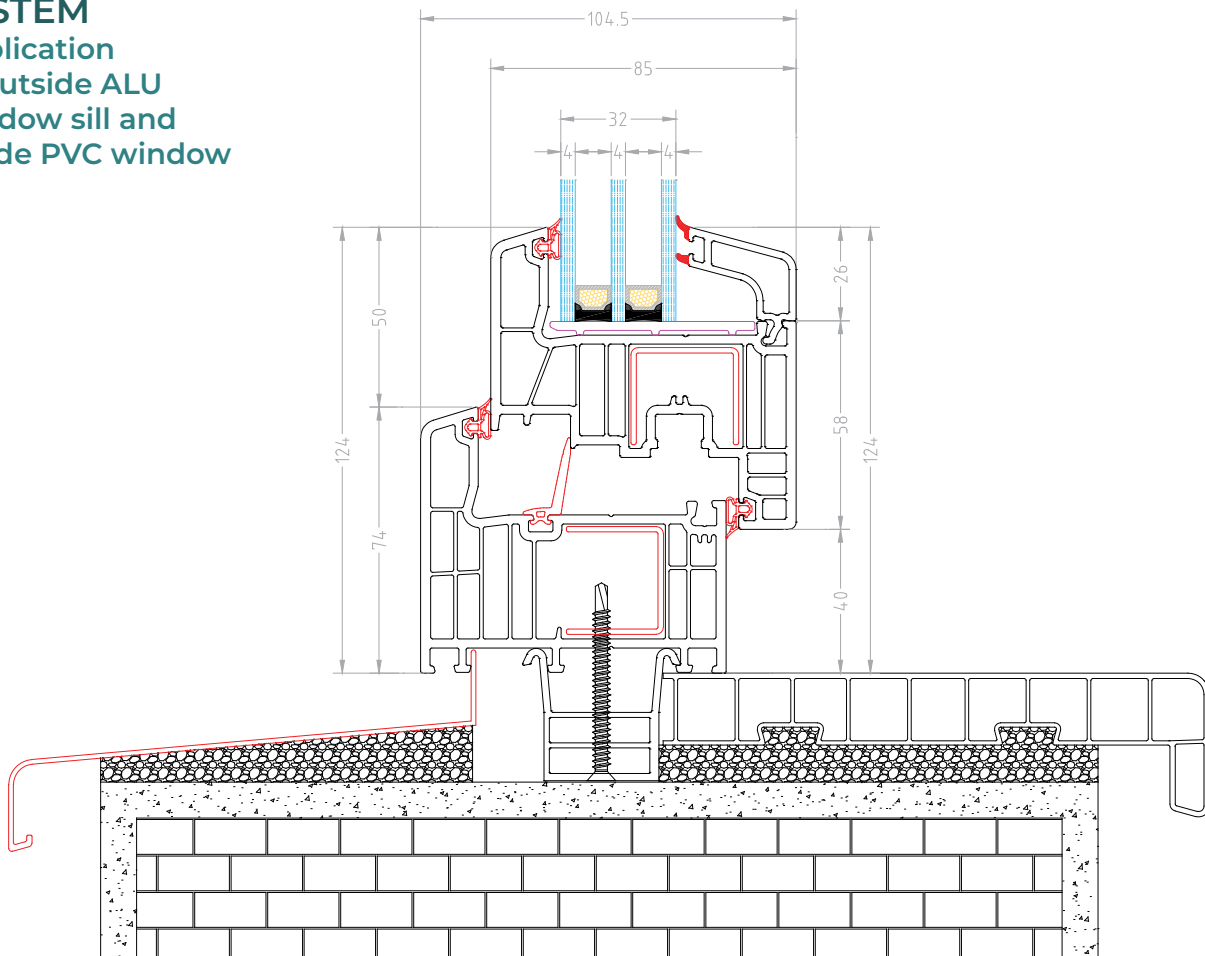
WINDOW SYSTEM
Application of additional cornice part on the wall



WINDOW SYSTEM
Drainage view



WINDOW SYSTEM
Application of outside ALU window sill and inside PVC window sill



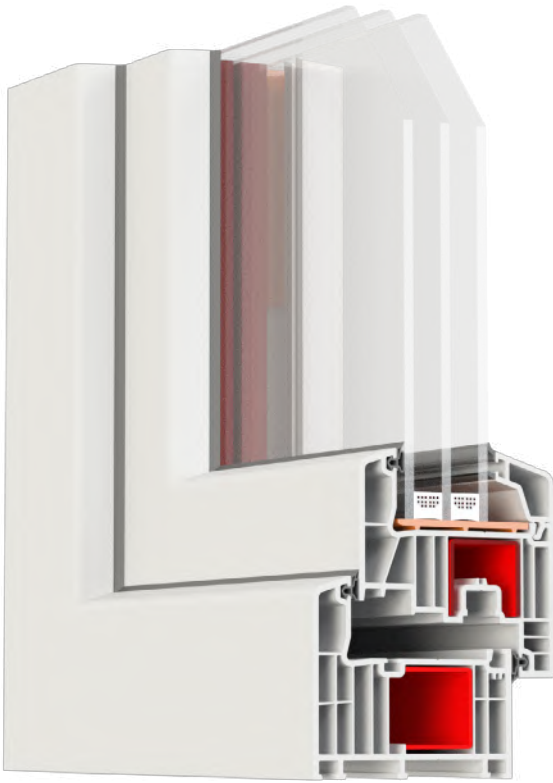
Sound Insulation

Thanks to their multi-chambered design and tight seals, uPVC profiles provide effective soundproofing, ideal for homes in noisy environments.



8500 Silver

The 8500 Silver system blends contemporary elegance, practicality, and functionality, delivering superior comfort and enhancing the quality of life for its users.



7 chambers

Featuring seven-chamber technology, this system is engineered for superior thermal and sound insulation.



2 gaskets

Two levels of ventilation ensure excellent windproofing, optimal wind protection, and superior sound insulation.



Triple glass

Available with double glass of 24mm, three-layer 36mm glass and triple 44mm glazing bead.



85mm width

Our 85mm width uPVC profile offers exceptional durability, energy efficiency, and a sleek design.



Quality and certified



Standard colors of our uPVC profiles

All other colors can be made to order



White



Anthracite



Golden Oak



Mahogany



Nussbaum



Jet Black



Dark Oak

Why to choose our products?

Our PVC window and door systems are manufactured using advanced technology and provide an excellent level of acoustic and thermal insulation, achieving the highest quality standards available.



Environment Friendly



Easy Installation



Cost Effective



Noise Reduction



Can be recycled



Less Maintenance



Fire Retardant



Long life



Thermal Insulation



Modern design



Premium uPVC profiles

Created from high-quality raw materials



Innovation

Enhanced durability and energy efficiency for construction needs



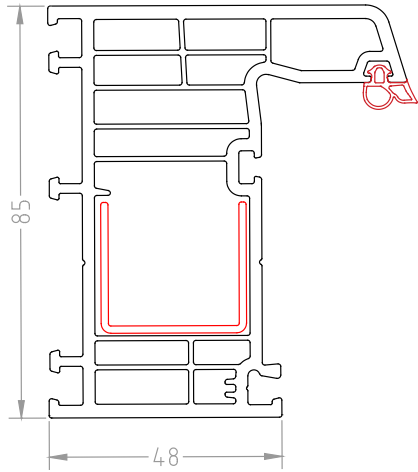
Reliability

Our uPVC profiles are designed for unmatched reliability

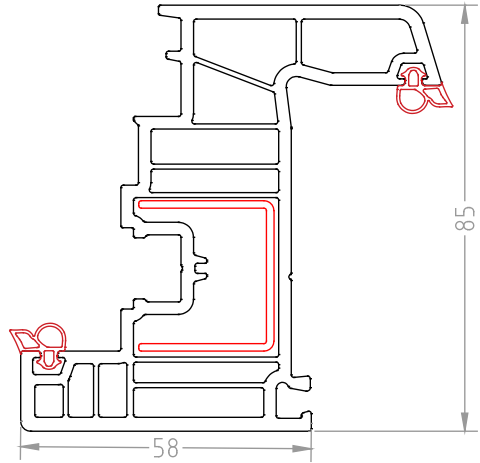


Scan code and read more informations about this uPVC profile series.

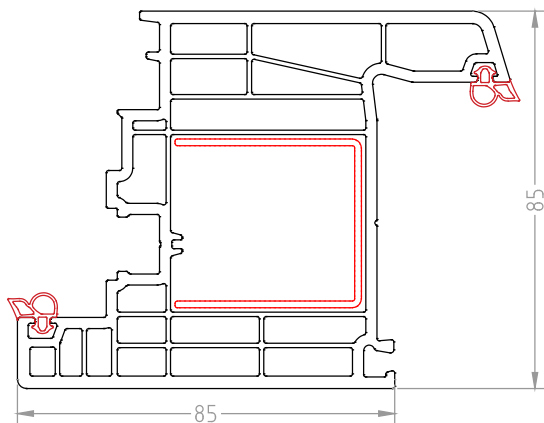
BF 8521
Frame profile



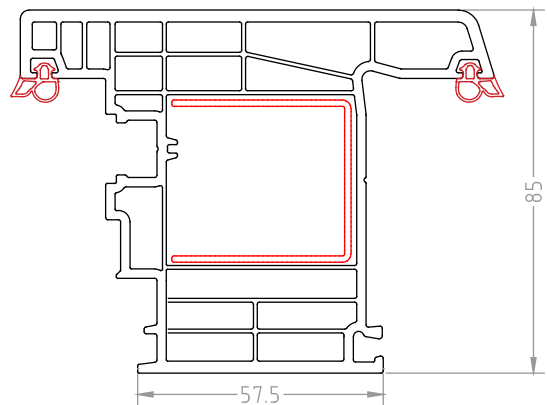
BF 8522
Sash profile



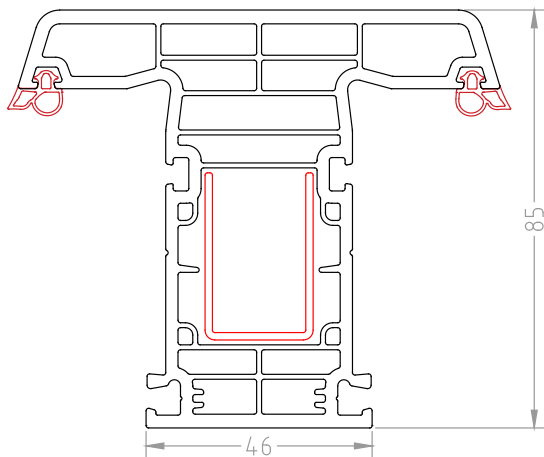
BF 8523
In turn door sash profile



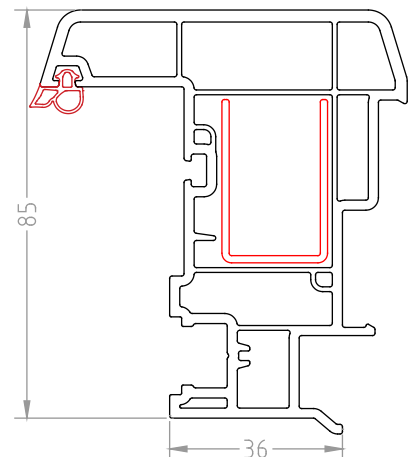
BF 8504
Outward opening door sash profile



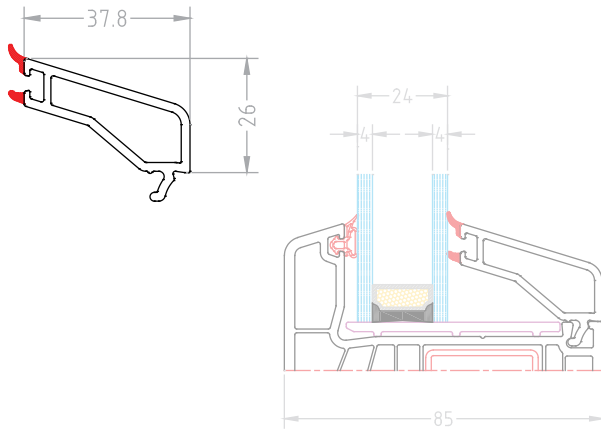
BF 8525
Mullion (T-bar) profile



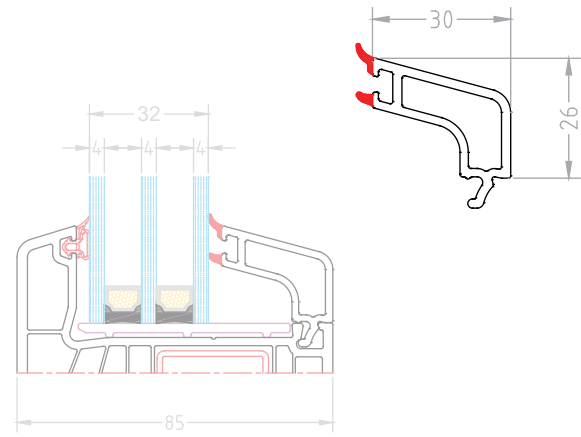
BF 8526
False mullion profile



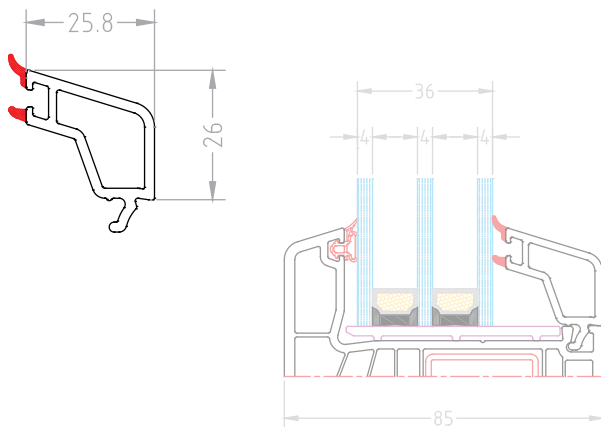
BF 8509
Double glazing bead
24 mm



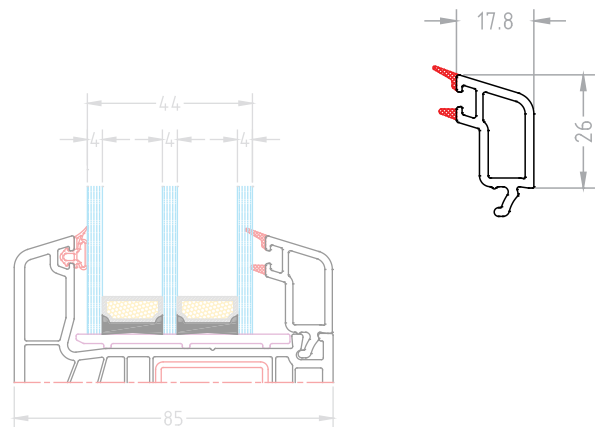
BF 7609
Triple glazing bead
32 mm



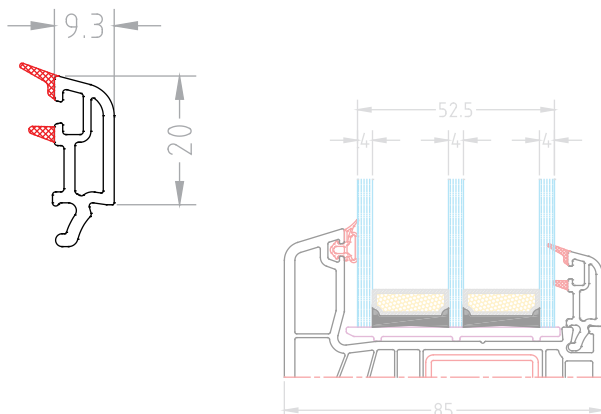
BF 8508
Triple glazing bead
36 mm



BF 8510
Triple glazing bead
44 mm



BF 7054
Triple glazing bead
52.50 mm



Glazing Beads for uPVC Windows and Doors

Glazing beads are crucial components in uPVC windows and doors, ensuring the glass panes are securely held in place while providing a neat and finished appearance. These beads are typically made from the same uPVC material as the window or door frames, ensuring a seamless and cohesive look.

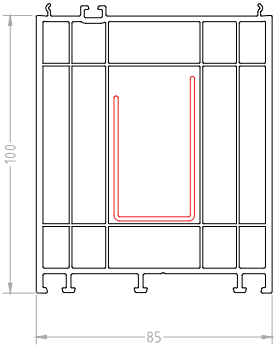
- Durability
- Low Maintenance
- Energy Efficiency

8500 Silver

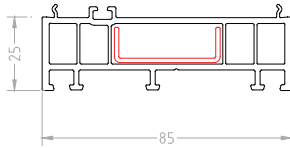
7 chamber uPVC profiles

Additional profiles

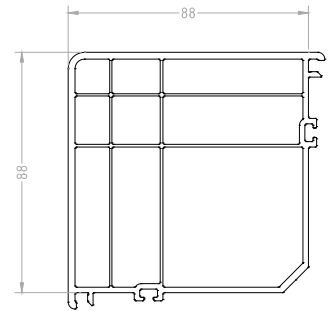
BF 8520
Profile extension
85*100mm



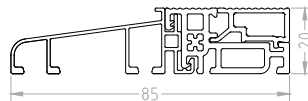
BF 8507
Profile extension
85*25mm



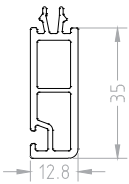
BF 8535
Connecting pillar



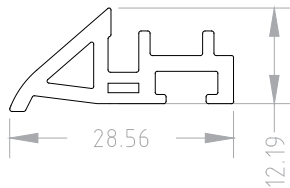
BF 8517
Treshold



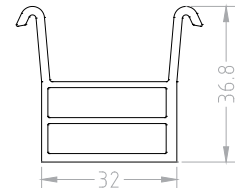
BF 5025
Additional cornice
part - Adaptor



BF 8536
Window Drainboard



BF 7208
Blind box extension



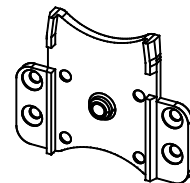
BF 8518
Treshold cap 85



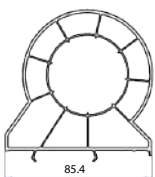
BF 8519
False mullion cap 85



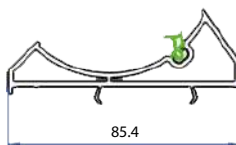
OB 0121
Mullion (T-bar)
coupling 85



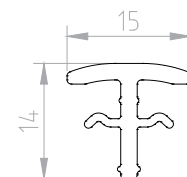
BF 8531
Angle connection pipe



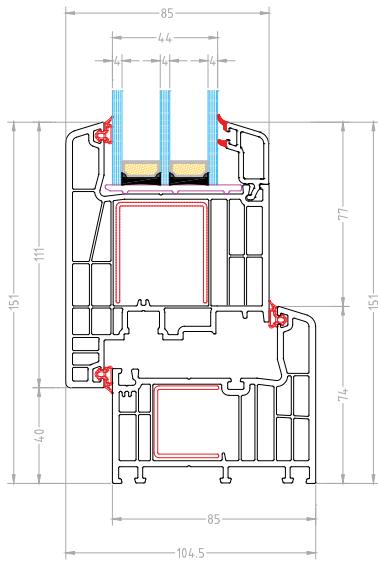
BF 8542
Pipe adaptor



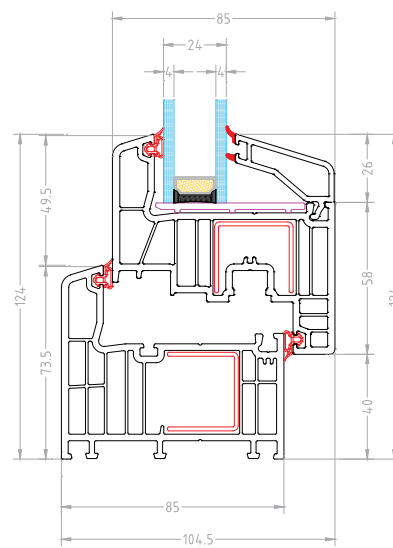
BF 7202
Connecting molding



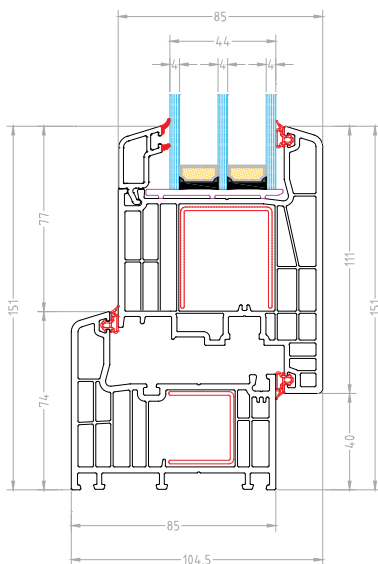
DOOR SYSTEM
Application of frame and door sash



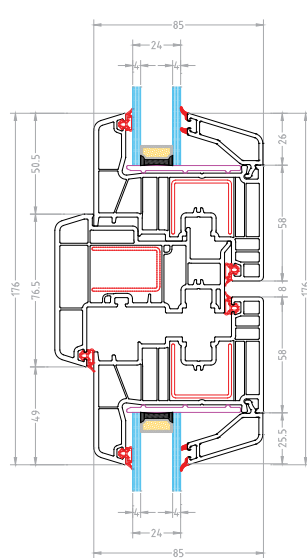
WINDOW SYSTEM
Application of frame and window sash



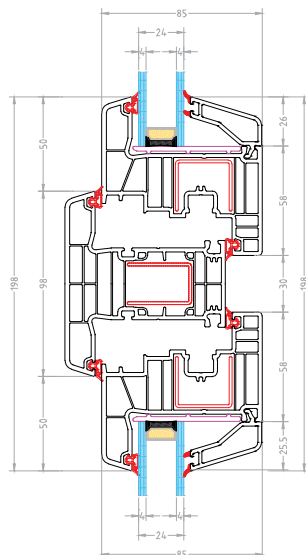
DOOR SYSTEM
Application of frame and outward opening window sash



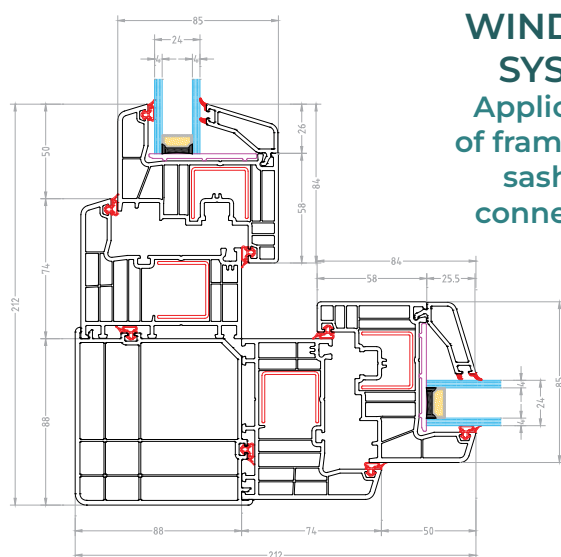
WINDOW SYSTEM
Application of sash and false mullion profile



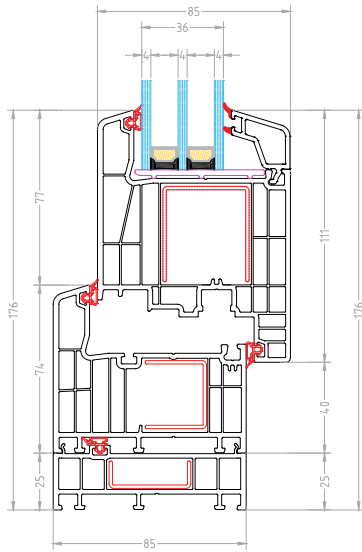
WINDOW SYSTEM
Application of sash and Mullion (T-bar) profile



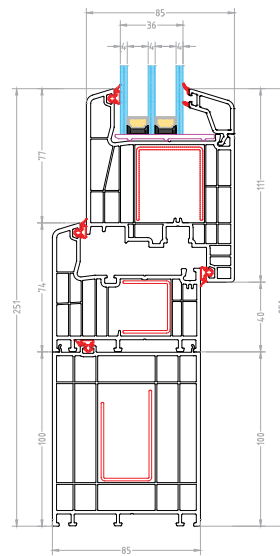
WINDOW SYSTEM
Application of frame and sash with connecting pillar



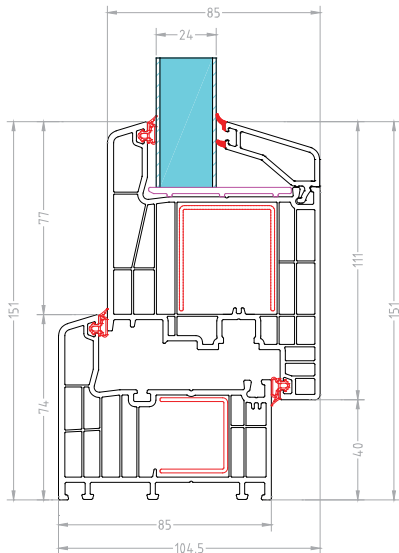
DOOR SYSTEM
Application of frame extension 25mm



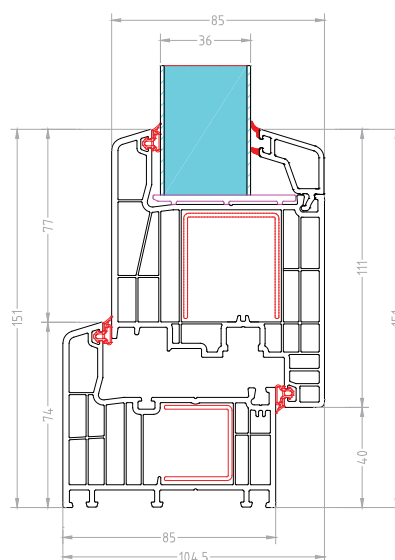
DOOR SYSTEM
Application of frame extension 100mm



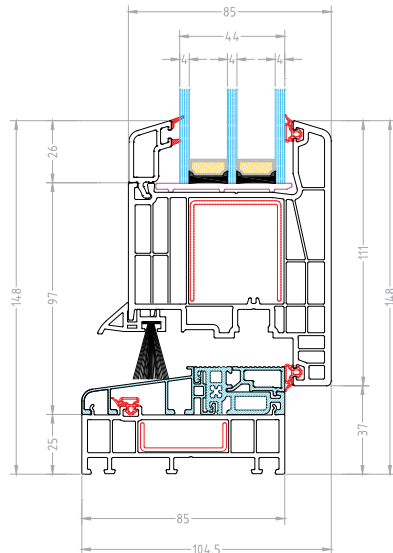
DOOR SYSTEM
Application of 24mm door panel



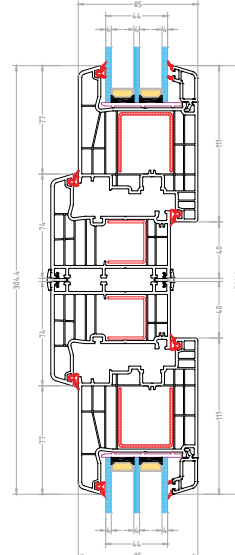
DOOR SYSTEM
Application of 36mm door panel



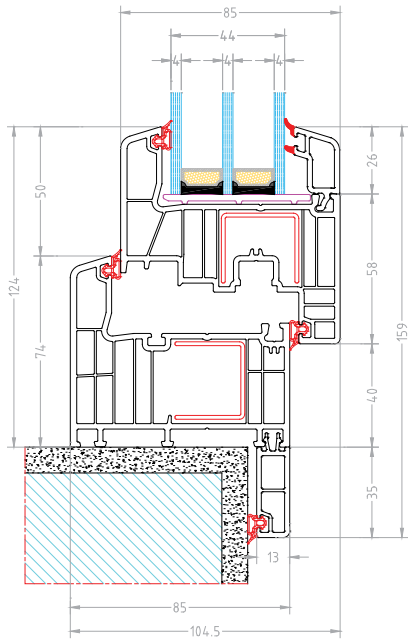
DOOR SYSTEM
Application of door sash, treshold and drainboard



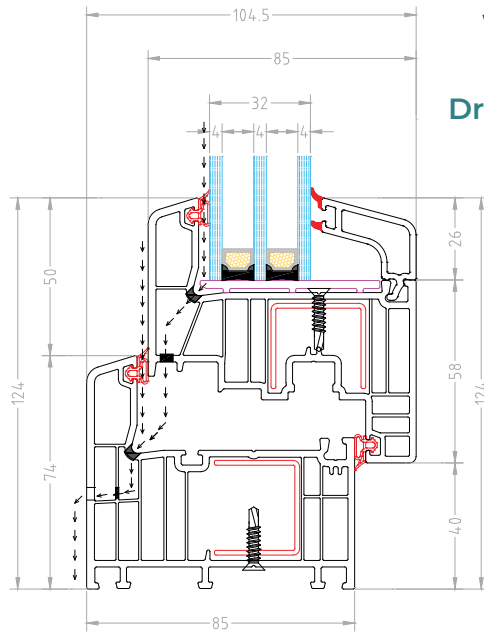
DOOR SYSTEM
Application of connection molding



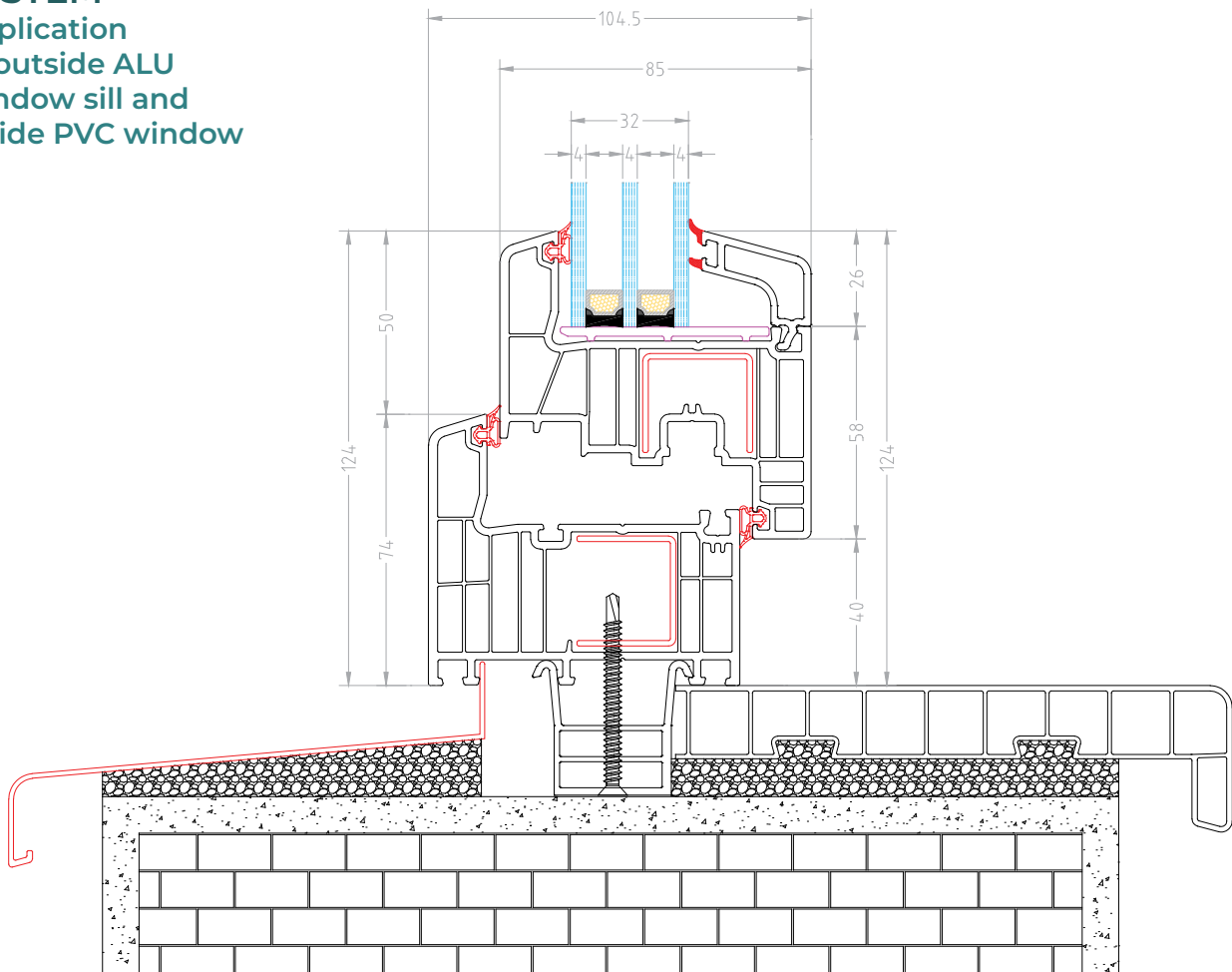
WINDOW SYSTEM
Application of additional cornice part on the wall



WINDOW SYSTEM
Drainage view



WINDOW SYSTEM
Application of outside ALU window sill and inside PVC window sill





Long Lifespan

With proper installation, uPVC profiles can last 20–40 years or more, maintaining their appearance and performance over time.



8500 NL

Designed with superior thermal insulation properties, making it an ideal choice for energy-efficient homes and buildings. The 120mm width allows for multiple chambers within the profile, reducing heat transfer and maintaining optimal indoor temperatures.



Robust design

Featuring 120mm width technology, this system is engineered for superior thermal and sound insulation.



3 gaskets

Three levels of ventilation ensure excellent windproofing, optimal wind protection, and superior sound insulation.



Triple glass

Available with double glass of 24mm, three-layer 36mm glass and triple 44mm glazing bead.



120mm width

Our 120mm width uPVC profile offers exceptional durability, energy efficiency, and a sleek design.



Quality and certified



Standard colors of our uPVC profiles

All other colors can be made to order



White



Anthracite



Golden Oak



Dark Oak



Nussbaum



Jet Black



Mahogany

Why to choose our products?

Our PVC window and door systems are manufactured using advanced technology and provide an excellent level of acoustic and thermal insulation, achieving the highest quality standards available.



Environment Friendly



Easy Installation



Cost Effective



Noise Reduction



Can be recycled



Less Maintenance



Fire Retardant



Long life



Thermal Insulation



Modern design



Premium uPVC profiles

Created from high-quality raw materials



Innovation

Enhanced durability and energy efficiency for construction needs



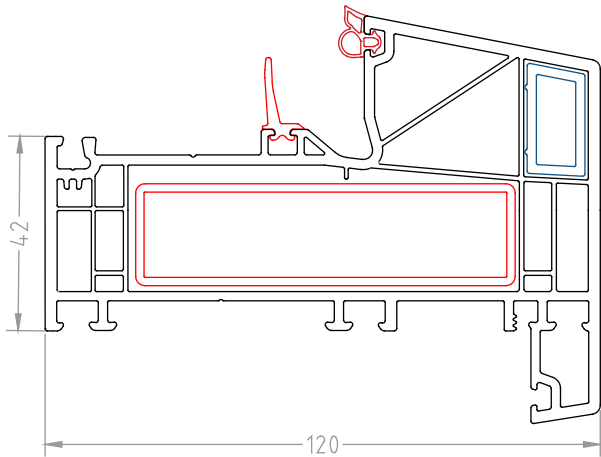
Reliability

Our uPVC profiles are designed for unmatched reliability

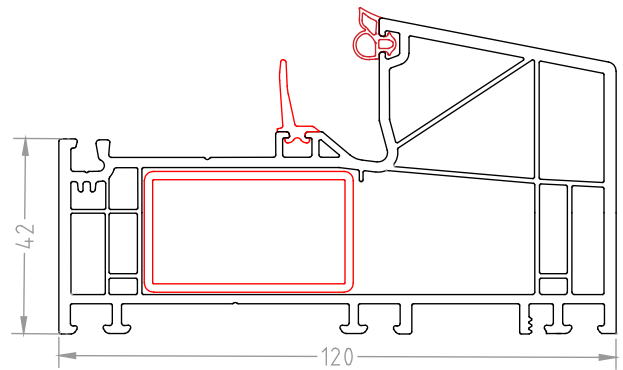


Scan code and read more informations about this uPVC profile series.

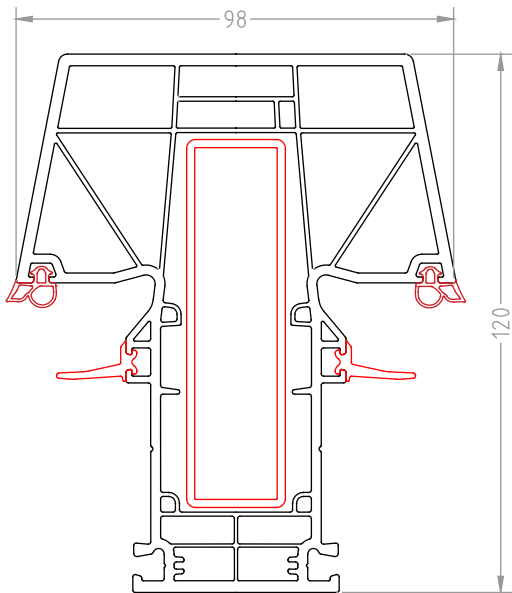
BF 1201
Frame profile
Frame with cornice



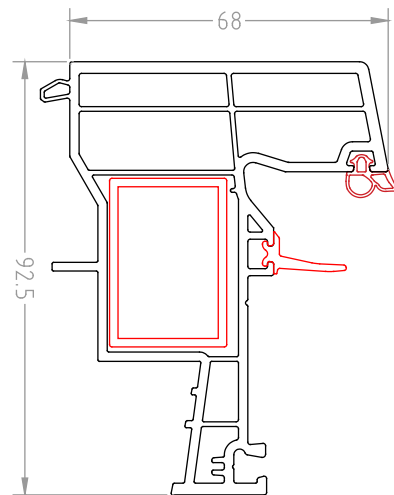
BF 1202
Frame profile
Frame without cornice



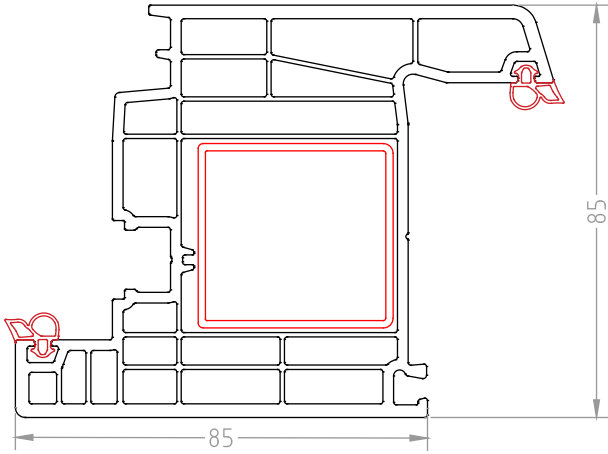
BF 1203
Mullion (T-bar) profile



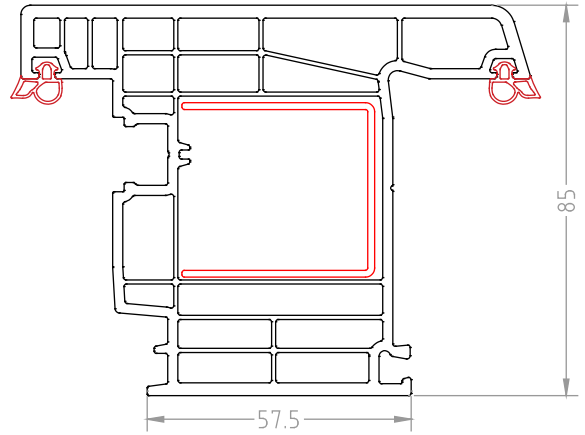
BF 1204
False mullion profile



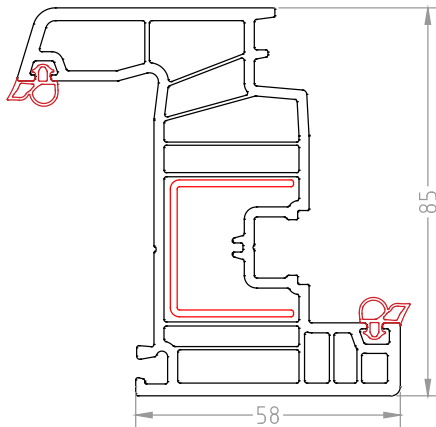
BF 8583
In turn door sash profile



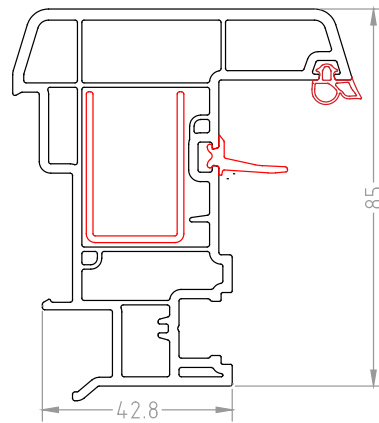
BF 8584
Outward opening door sash profile



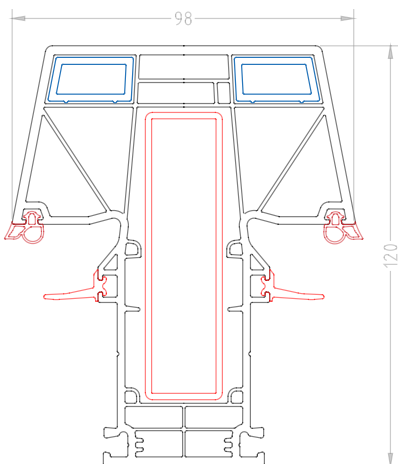
BF 8582
Sash profile



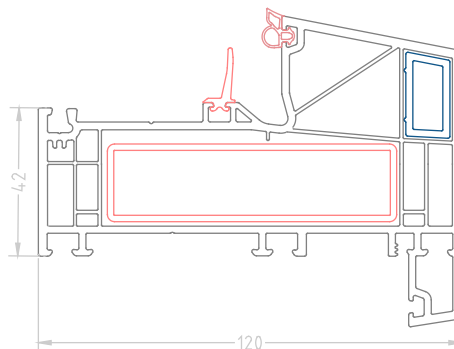
BF 8586
False mullion profile



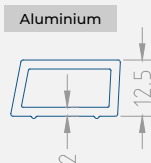
BF 1203
Mullion (T-bar) profile



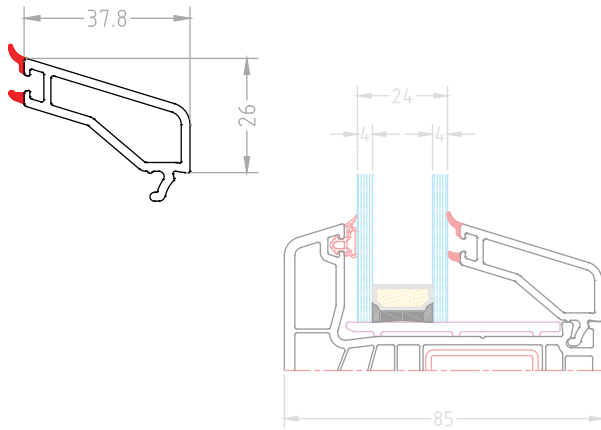
BF 1201
Frame profile
Frame with cornice



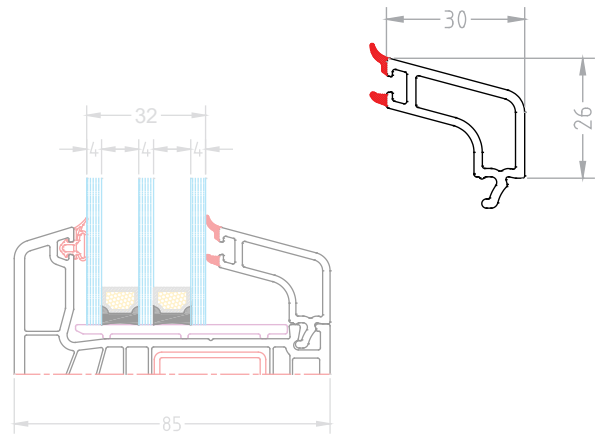
These two profiles can also include additional aluminum reinforcements when used in the construction of larger windows or doors.



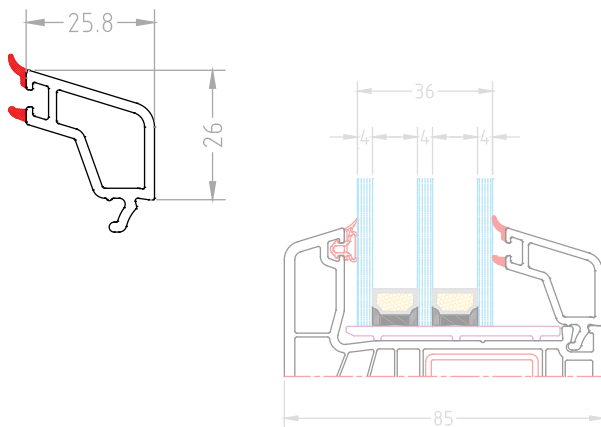
BF 8509
Double glazing bead
24 mm



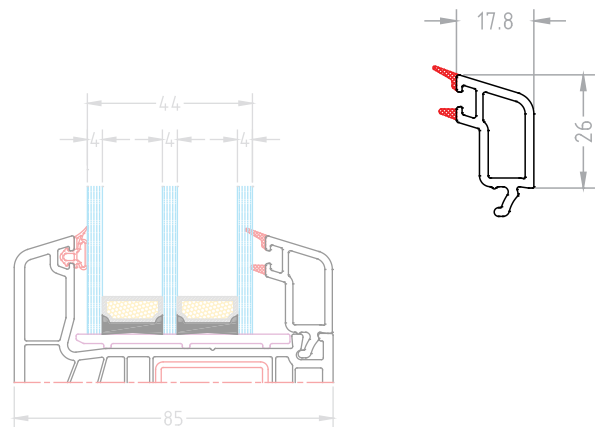
BF 7609
Triple glazing bead
32 mm



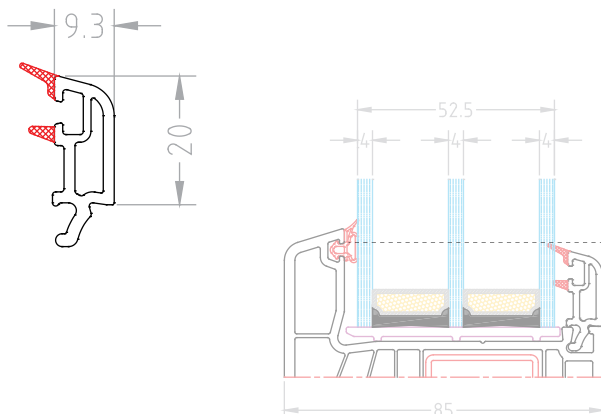
BF 8508
Triple glazing bead
36 mm



BF 8510
Triple glazing bead
44 mm



BF 7054
Triple glazing bead
52.50 mm



Glazing Beads for uPVC Windows and Doors

Glazing beads are crucial components in uPVC windows and doors, ensuring the glass panes are securely held in place while providing a neat and finished appearance. These beads are typically made from the same uPVC material as the window or door frames, ensuring a seamless and cohesive look.

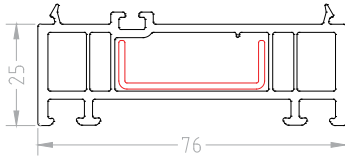
- Durability
- Low Maintenance
- Energy Efficiency

8500 NL

120mm width profile

Additional profiles

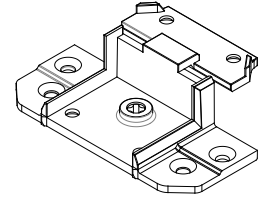
BF 7625
Profile extension
76*25mm



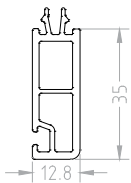
BF 8589
False mullion cap



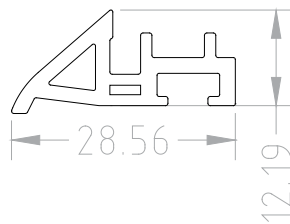
OKBT 85
Mullion (T-bar) coupling 85



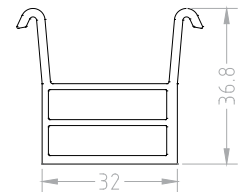
BF 5025
Additional cornice part - Adaptor



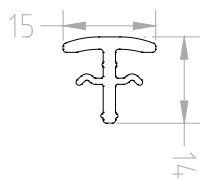
BF 8536
Window Drainboard



BF 7208
Blind box extension



BF 7202
Connecting molding



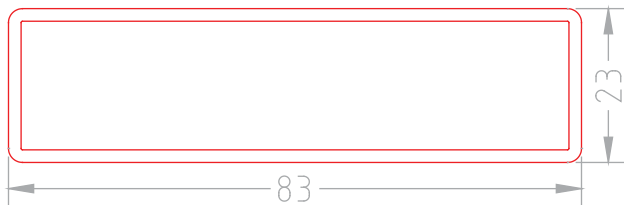
8500 NL

120mm width profile

Reinforcements

Iron reinforcement

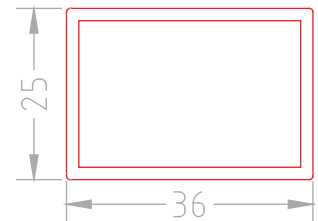
Can be used for:
BF 1201 Frame Profile and
BF 1203 Mullion (T-bar) profile



BF 425-12 (Thickness 1.2mm) **BF 425-15** (Thickness 1.5mm) **BF 425-20** (Thickness 2.0mm)

Iron reinforcement

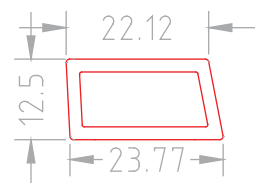
Can be used for:
BF 1204 False mullion profile



BF 423-12 (Thickness 1.2mm) **BF 423-15** (Thickness 1.5mm) **BF 423-20** (Thickness 2.0mm)

Aluminium reinforcement

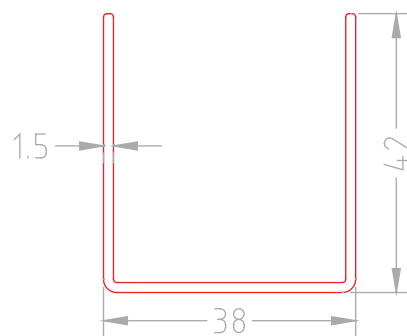
Can be used for:
BF 1201 Frame Profile and
BF 1203 Mullion (T-bar) profile



BF 424-12 (Thickness 1.2mm) **BF 424-15** (Thickness 1.5mm) **BF 424-20** (Thickness 2.0mm)

Iron reinforcement

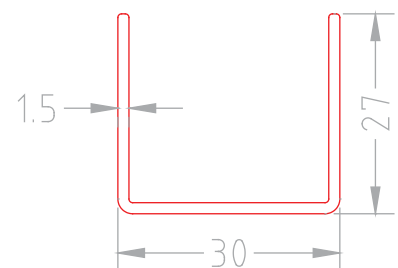
Can be used for: **BF 8503**,
BF 8504, **BF 8523**, **BF 8583**
and **BF 8584** Door sash



BF 410-12 (Thickness 1.2mm) **BF 410-15** (Thickness 1.5mm) **BF 410-20** (Thickness 2.0mm)

Iron reinforcement

BF 8501, **BF 8521** and **BF 8581**
Frame, **BF 8502**, **BF 8522** and
BF 8582 Sash, and **BF 8545**
Frame with cornice



BF 409-12 (Thickness 1.2mm) **BF 409-15** (Thickness 1.5mm) **BF 409-20** (Thickness 2.0mm)

Iron reinforcement

Can be used for:
BF 1202 Frame Profile



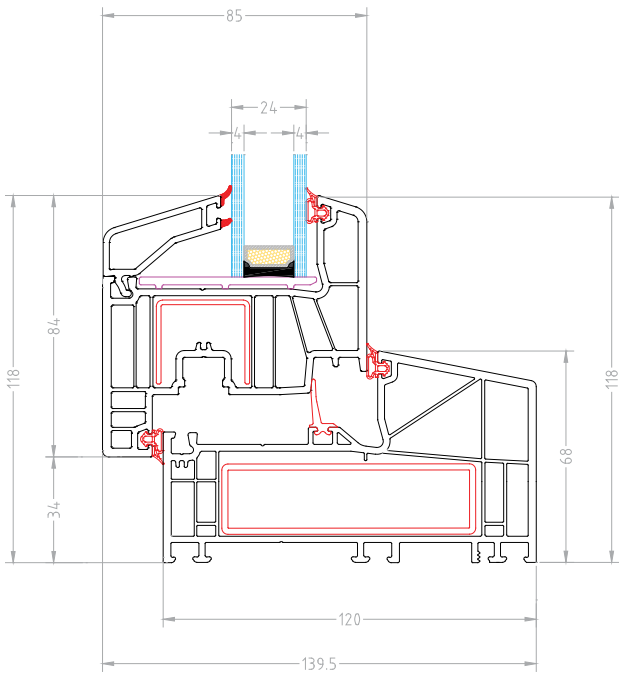
BF 426-12 (Thickness 1.2mm) **BF 426-15** (Thickness 1.5mm) **BF 426-20** (Thickness 2.0mm)



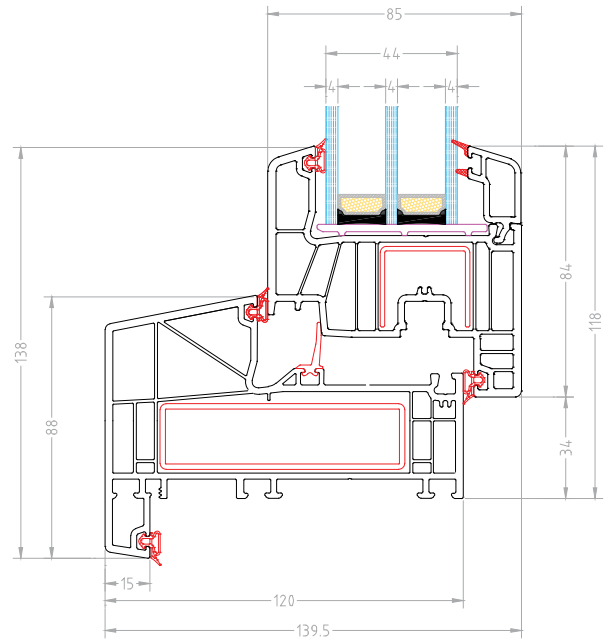
Steel reinforcement

Our uPVC profiles come with the option for steel reinforcement and a variety of multi-point locking systems places that make them among the safest and securest systems on the market.

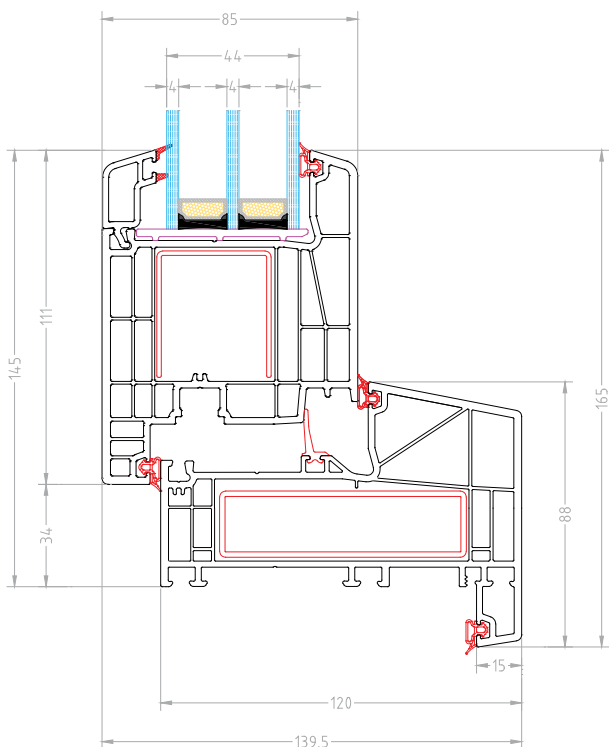
WINDOW SYSTEM
Application of frame and sash
(without cornice)



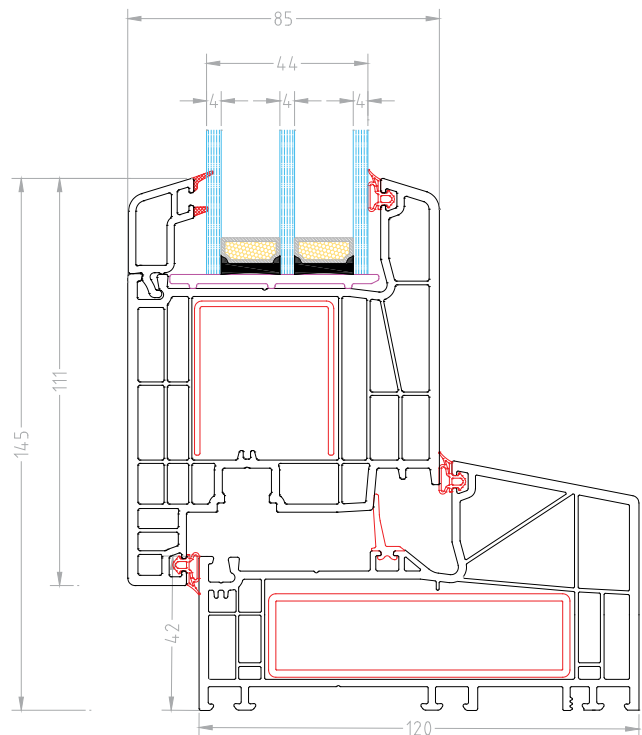
WINDOW SYSTEM
Application of frame and sash
(with cornice)



DOOR SYSTEM
Application of frame
(with cornice)

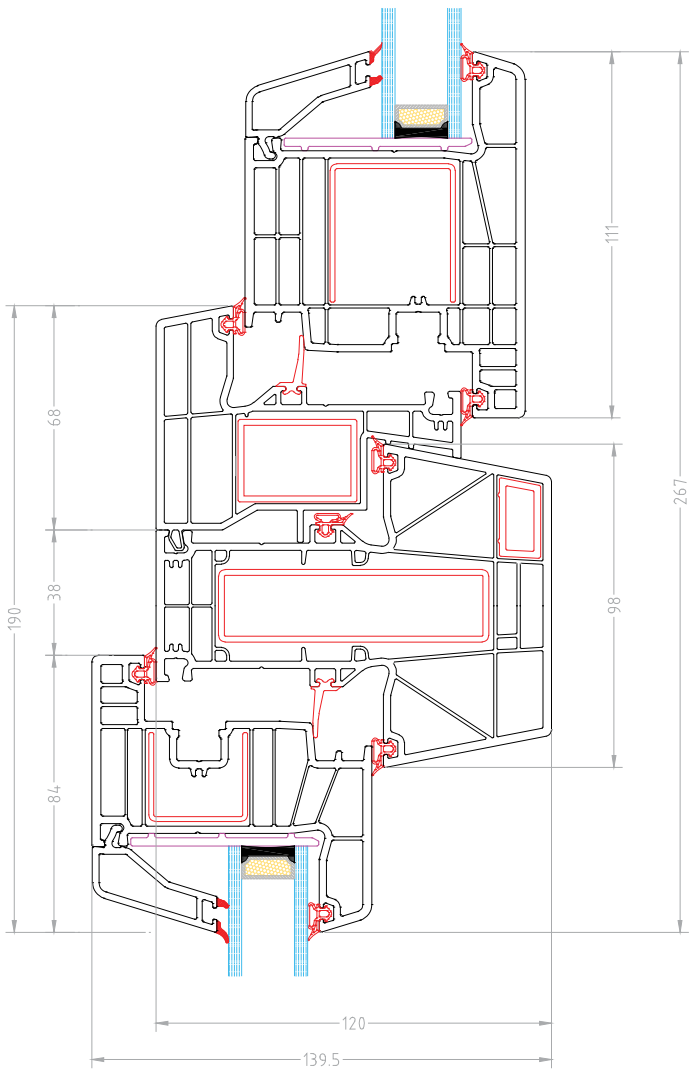


DOOR SYSTEM
Application of frame
(without cornice)



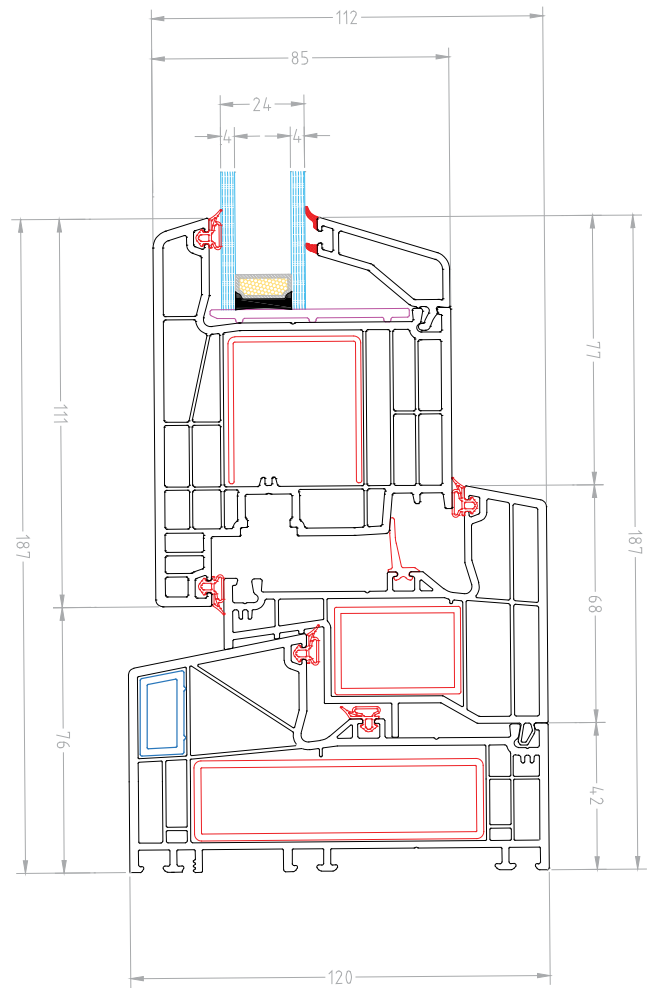
NL SYSTEM

Application of Mullion (T-bar) and False mullion profile



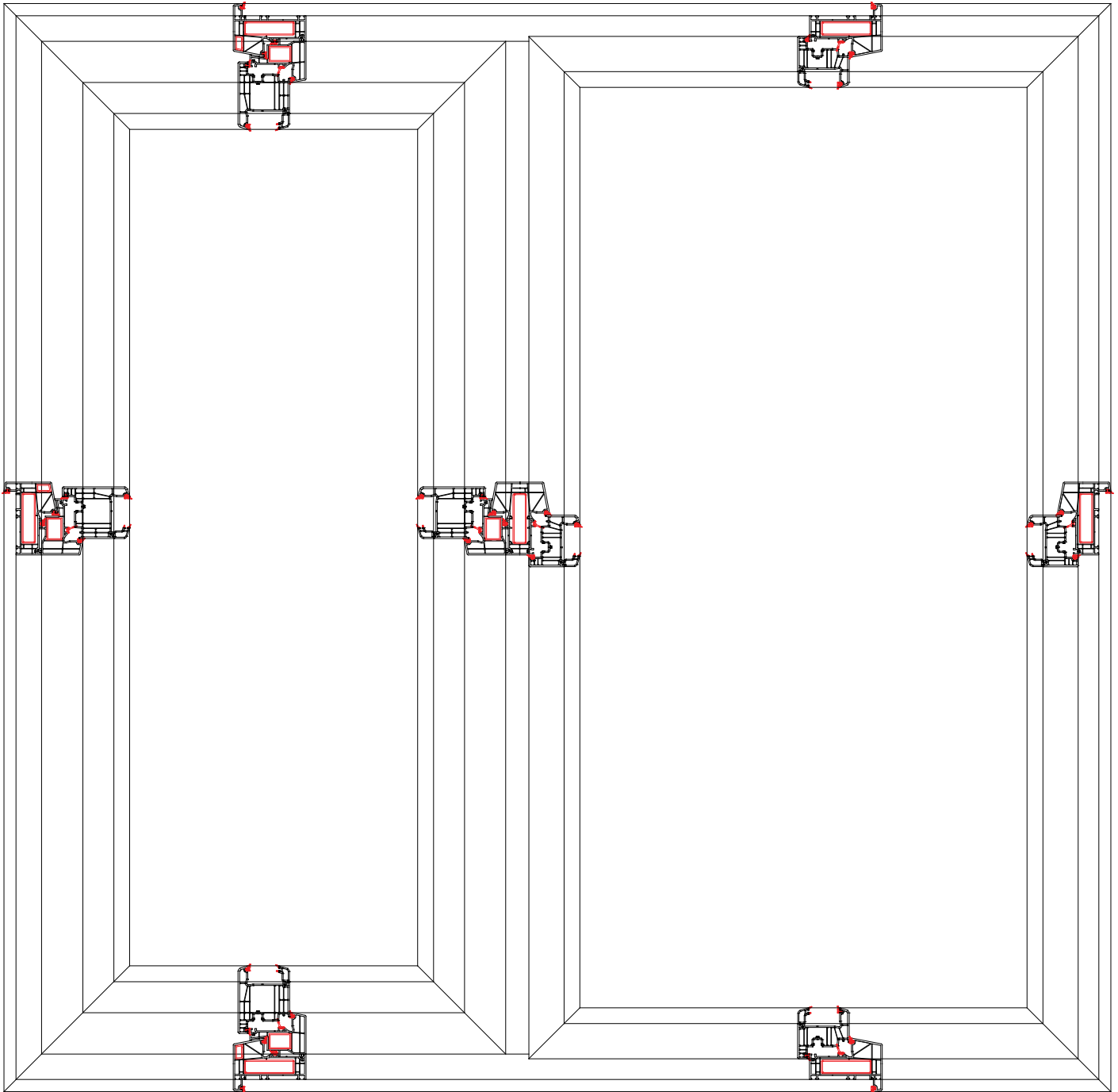
DOOR SYSTEM

Application of false mullion profile



WINDOW AND DOOR SYSTEM

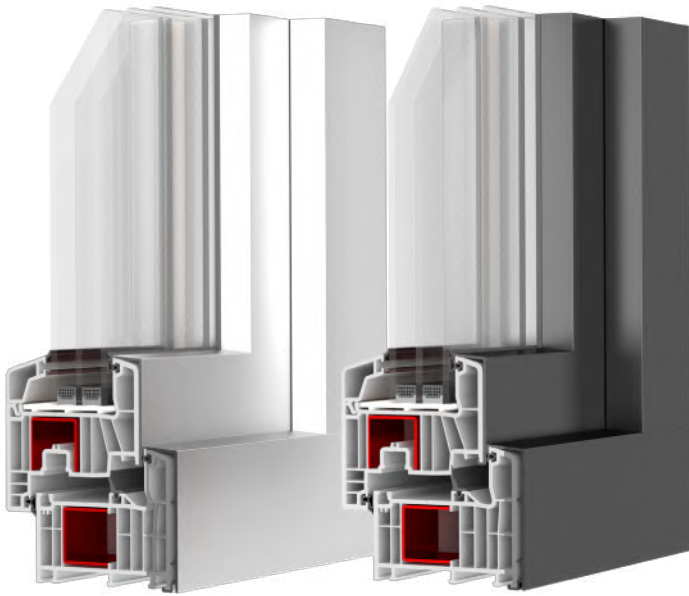
Application of window and door profiles with NL 8500 series





Long Lifespan

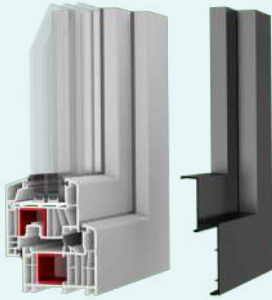
With proper installation, uPVC profiles can last 20–40 years or more, maintaining their appearance and performance over time.



85 MD ALUCLIP

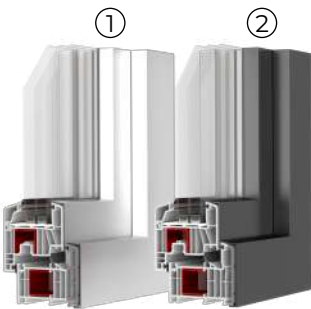
85 MD AluClip represents a PVC-U window system with an installation depth of 85 mm and an aluminium cover precision fitted to the outside of the window.

- Great sound insulation
- Lower heat transfer coefficient
- Burglar resistant material
- Modern and unique design
- Quality and durable
- Timeless elegance



Aluclips are specifically designed to fit standard uPVC window profiles. This means they often come with pre-aligned grooves, clips, or snap-fit mechanisms that match the dimensions and structure of uPVC frames.

Our Aluclip systems are designed for snap-on (click-in) installation, requiring little to no tools. This makes the process fast and user-friendly, even for non-professionals.













Available colors of Aluclips:


- ①  **White Aluminium**
- ②  **Anthracite**


Aluclips not only enhance the appearance of uPVC windows by giving them an aluminum finish but also add durability and weather resistance—making them a popular upgrade that's easy to apply.


Why to choose our products?

Our PVC window and door systems are manufactured using advanced technology and provide an excellent level of acoustic and thermal insulation, achieving the highest quality standards available.

- | | | | | |
|---|---|--|--|--|
| 
Environment
Friendly | 
Easy
Installation | 
Cost
Effective | 
Noise
Reduction | 
Can be
recycled |
| 
Less
Maintenance | 
Fire
Retardant | 
Long
life | 
Thermal
Insulation | 
Modern
design |

 **Premium uPVC profiles**
Created from high-quality
raw materials

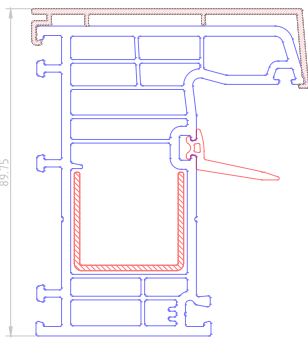
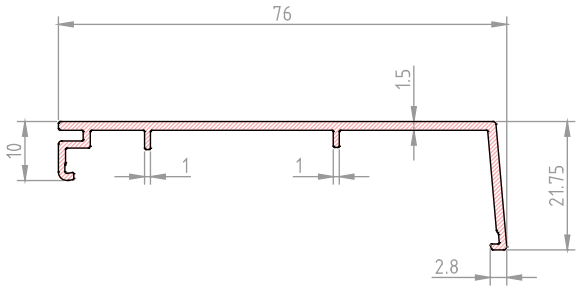
 **Innovation**
Enhanced durability and energy
efficiency for construction needs

 **Reliability**
Our uPVC profiles are designed for
unmatched reliability

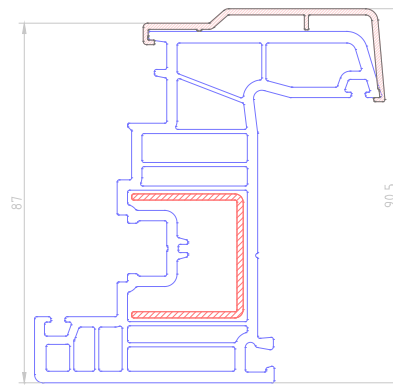
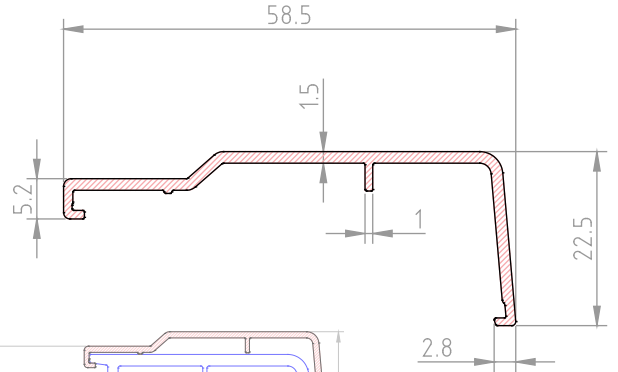


Scan code and read more
informations about this
uPVC profile series.

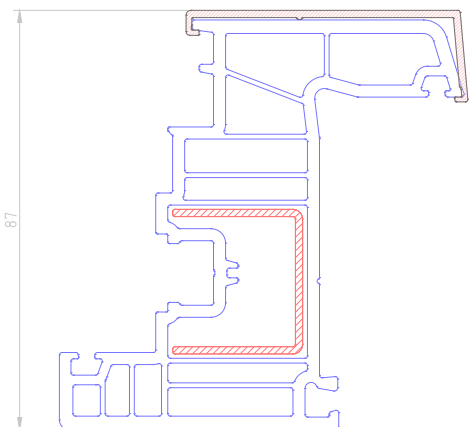
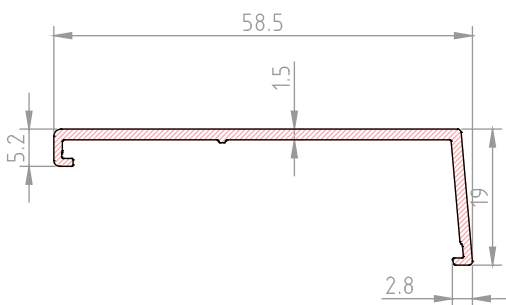
Aluclip for:
8501 and 8581 Frame profile



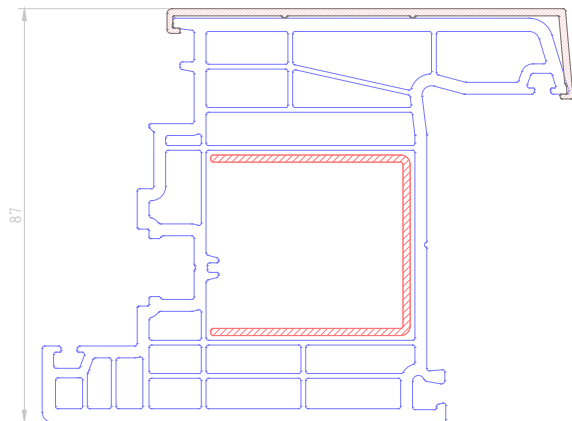
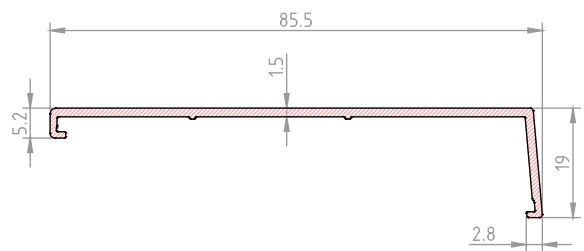
Aluclip for:
8502 and 8582 Sash profile



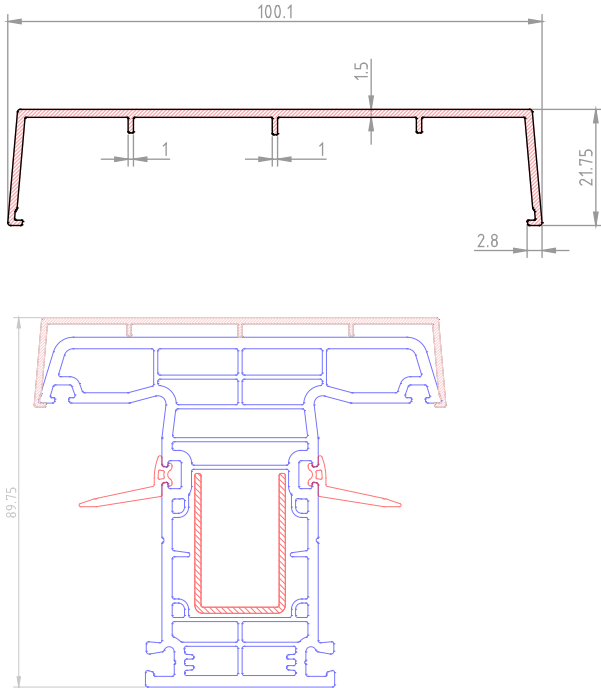
Aluclip for:
8502 and 8582 Sash profile



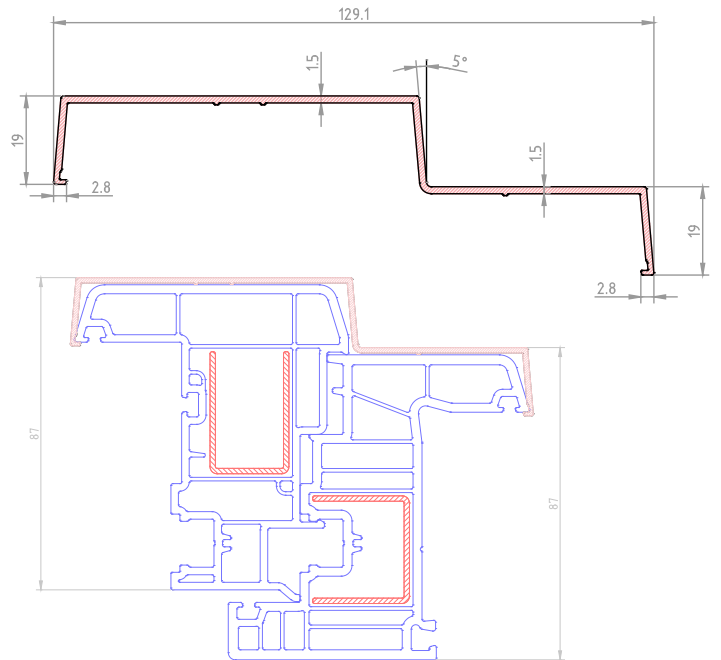
Aluclip for:
8503 and 8583 Door sash profile



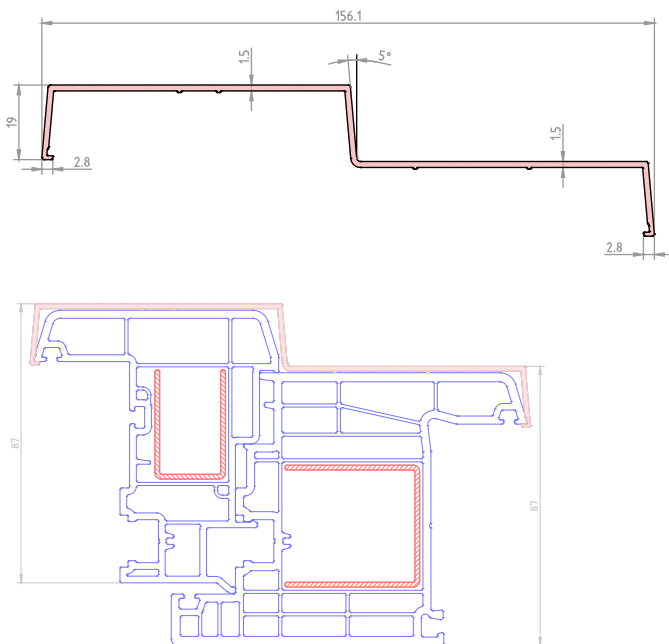
Aluclip for:
8505 and 8585 Mullion (T-bar) profile



Aluclip for:
8502 Sash profile + 8506 False mullion
8582 Sash profile + 8586 False mullion



8503 Door sash profile + 8506 False mullion profile
8583 Door sash profile + 8586 False mullion profile





Eco-Friendly Option

uPVC is 100% recyclable, and many manufacturers now use recycled materials in their profiles, contributing to sustainable building practices.

7600 Forest

Our 76mm system with 6-chamber uPVC profiles is crafted for clients seeking a blend of modern elegance, practicality, and functionality. It ensures exceptional comfort and greatly enhances the quality of life for its users.



6 chambers

Featuring six-chamber technology, this system is engineered for superior thermal and sound insulation.



3 gaskets

Three levels of ventilation ensure excellent windproofing, optimal wind protection, and superior sound insulation.



Triple glass

Available with double glass of 24mm and 28mm, three-layer 36mm glass and triple 44mm glazing bead.



76mm width

Our 76mm width uPVC profile offers exceptional durability, energy efficiency, and a sleek design.

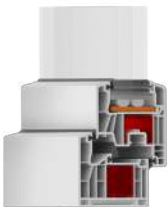


Quality and certified



Standard colors of our uPVC profiles

All other colors can be made to order



White



Anthracite



Golden Oak



Dark Oak



Nussbaum



Jet Black



Mahogany

Why to choose our products?

Our PVC window and door systems are manufactured using advanced technology and provide an excellent level of acoustic and thermal insulation, achieving the highest quality standards available.



Environment Friendly



Easy Installation



Cost Effective



Noise Reduction



Can be recycled



Less Maintenance



Fire Retardant



Long life



Thermal Insulation



Modern design



Premium uPVC profiles

Created from high-quality raw materials



Innovation

Enhanced durability and energy efficiency for construction needs



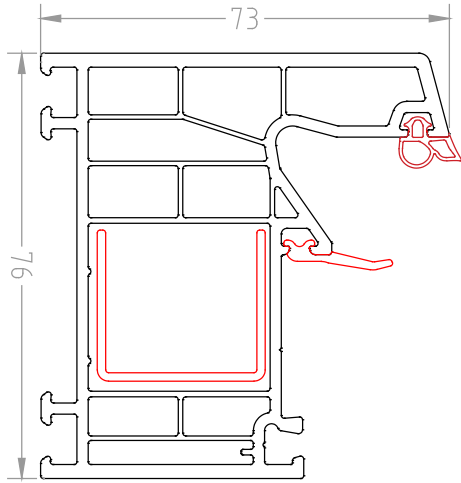
Reliability

Our uPVC profiles are designed for unmatched reliability

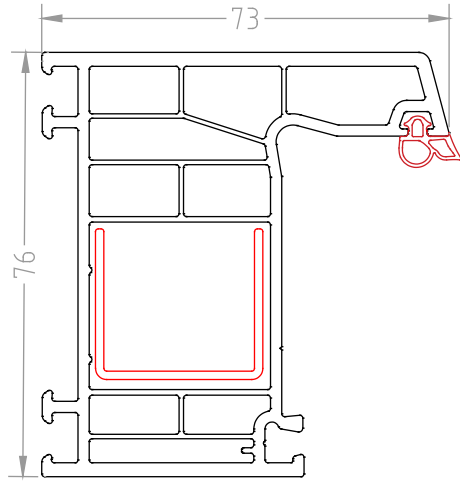


Scan code and read more informations about this uPVC profile series.

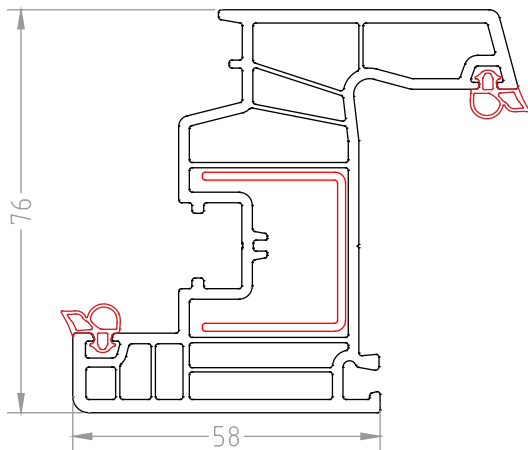
BF 7601
Frame profile
(MD)



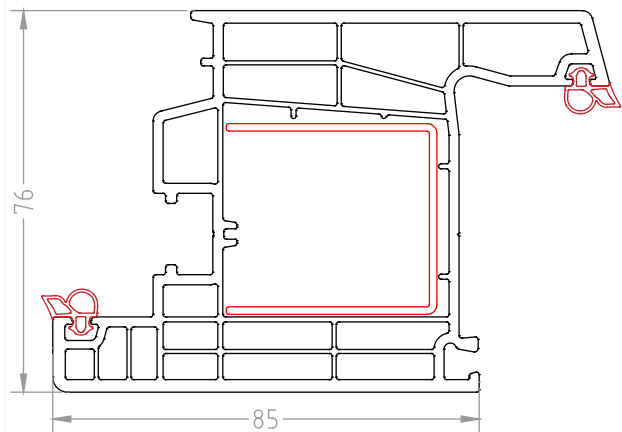
BF 7611
Frame profile
(AD)



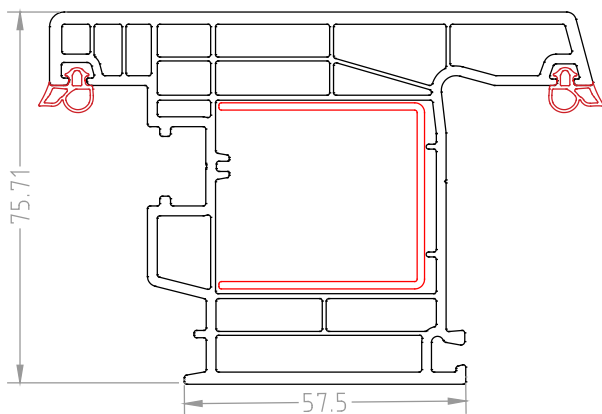
BF 7602
Window sash profile



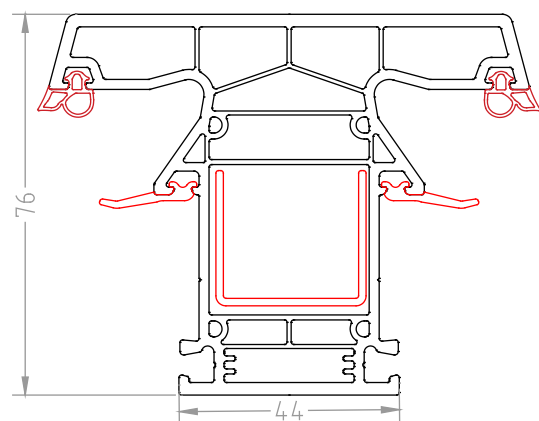
BF 7603
In turn door sash profile



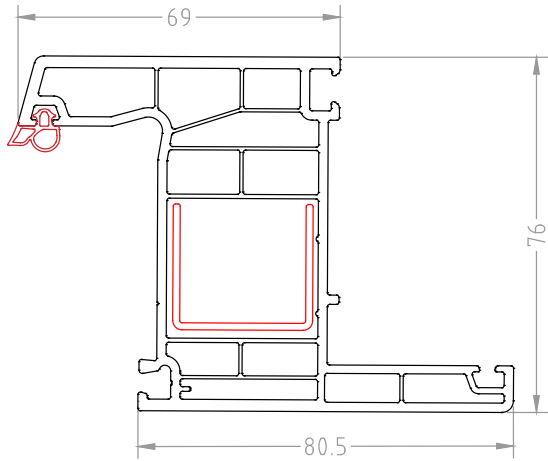
BF 7604
Outward opening door sash profile



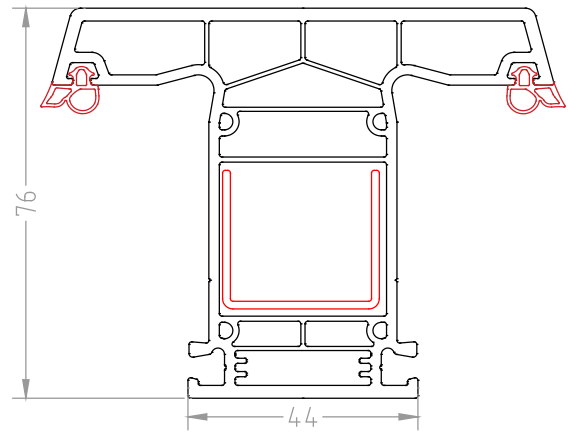
BF 7605
Mullion (T-bar) profile
(MD)



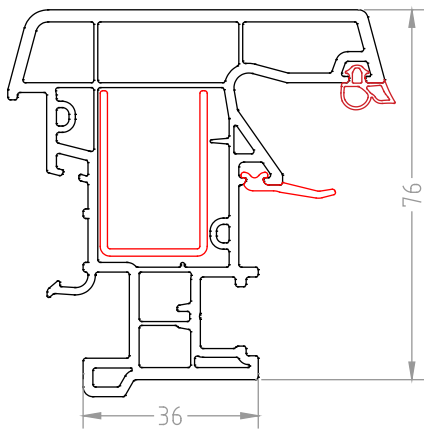
BF 7612
Frame profile with cornice



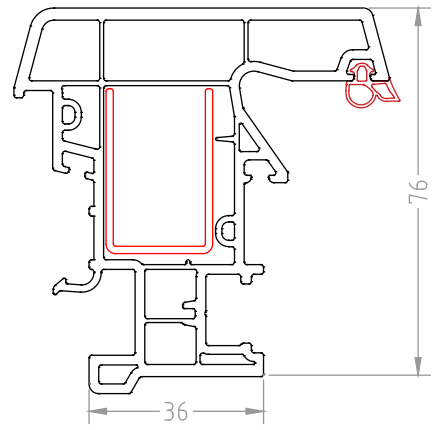
BF 7615
Mullion (T-bar) profile
(AD)



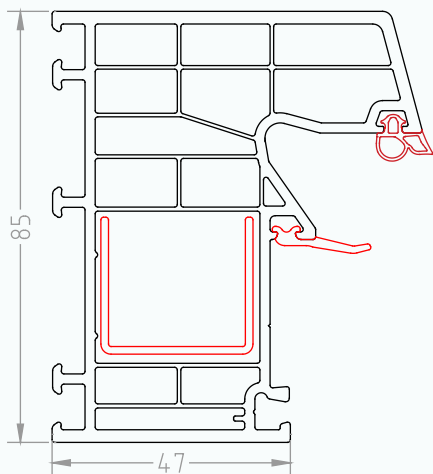
BF 7606
False mullion profile
(MD)



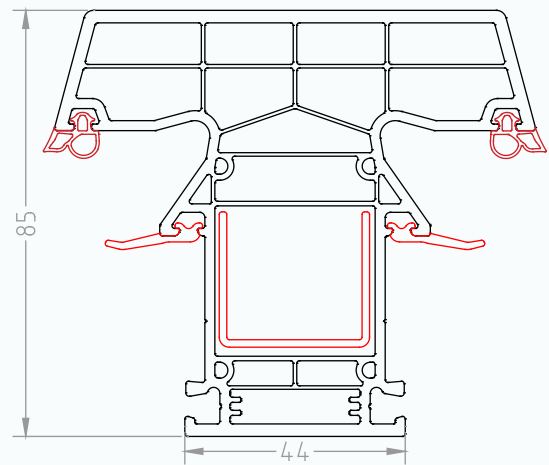
BF 7616
False mullion profile
(AD)



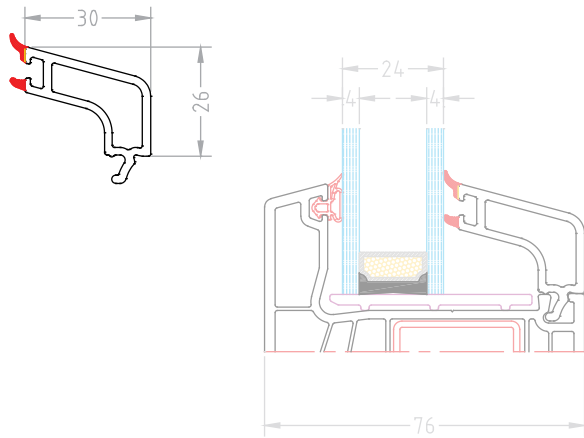
BF 85-76
85-76 Combination frame



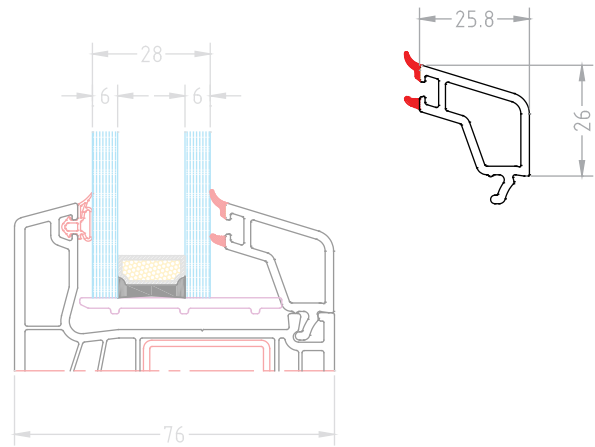
BF 76-84
Mullion (T-bar) profile combination



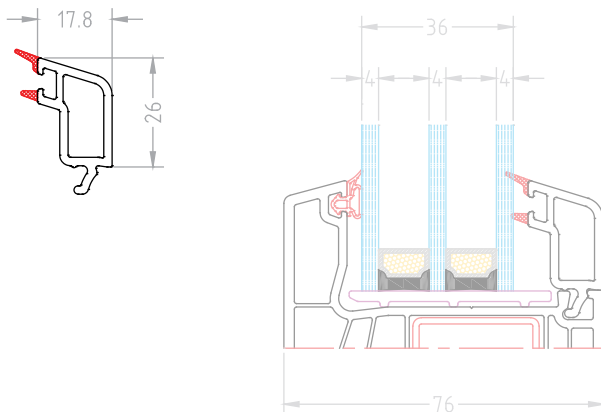
BF 7609
Double glazing bead
24 mm



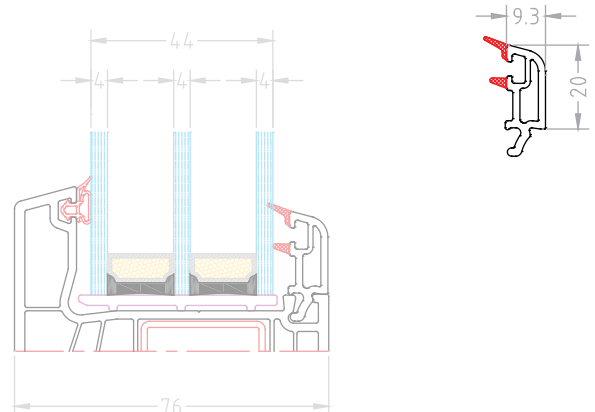
BF 8508
Double glazing bead
28 mm



BF 8510
Triple glazing bead
36 mm



BF 7054
Triple glazing bead
44 mm



Glazing Beads for uPVC Windows and Doors

Glazing beads are crucial components in uPVC windows and doors, ensuring the glass panes are securely held in place while providing a neat and finished appearance. These beads are typically made from the same uPVC material as the window or door frames, ensuring a seamless and cohesive look.

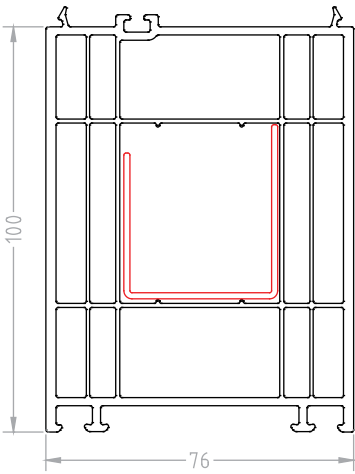
-
- Durability*
- Low Maintenance*
- Energy Efficiency*

7600 Forest

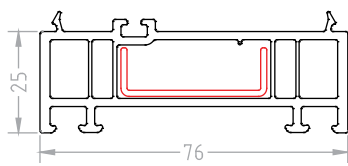
6 chamber uPVC profiles

Additional profiles

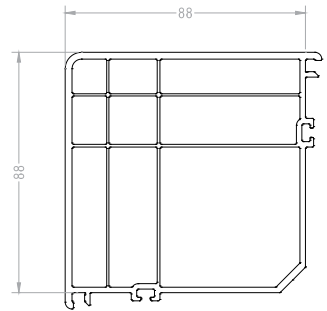
BF 7610
Profile extension
76*100mm



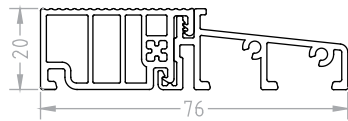
BF 7625
Profile extension
76*25mm



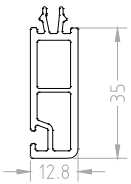
BF 8535
Connecting pillar



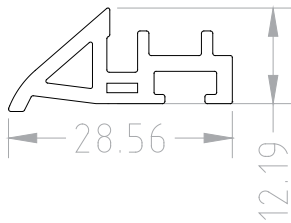
BF 7617
Treshold



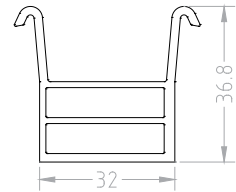
BF 5025
Additional cornice
part - Adaptor



BF 8536
Window Drainboard



BF 7208
Blind box extension



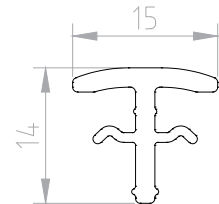
BF 7618
Treshold cap 76



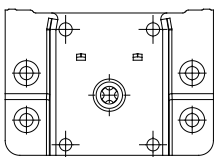
BF 7619
False mullion cap 76



BF 7202
Connecting molding



OB 0076
Mullion (T-bar) coupling 76



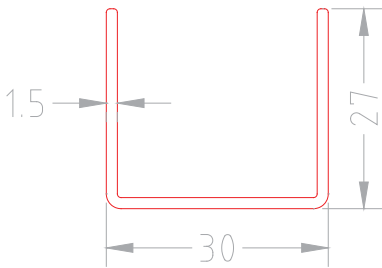
OB 0077
Mullion (T-bar) coupling 76



Iron reinforcement

Can be used for:

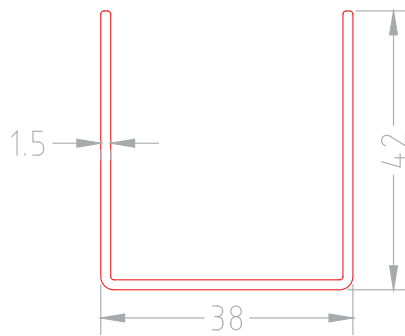
BF 7601 Frame profile
BF 7611 Frame profile
BF 7602 Sash profile
BF 7612 Cornice frame profile,
BF 7605 and **BF 7615** Mullion
(T-bar) profile, **BF 85-76**
Frame combination and
BF 76-84 Mullion (T-Bar)
combination



BF 409-12 (Thickness 1.2mm) **BF 409-15** (Thickness 1.5mm) **BF 409-20** (Thickness 2.0mm)

Iron reinforcement

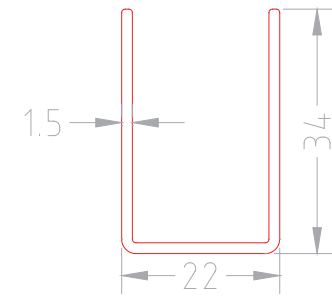
Can be used for: **BF 7603**
Door sash and **BF 7604**
Outward door sash



BF 410-12 (Thickness 1.2mm) **BF 410-15** (Thickness 1.5mm) **BF 410-20** (Thickness 2.0mm)

Iron reinforcement

Can be used for:
BF 7616 False mullion profile

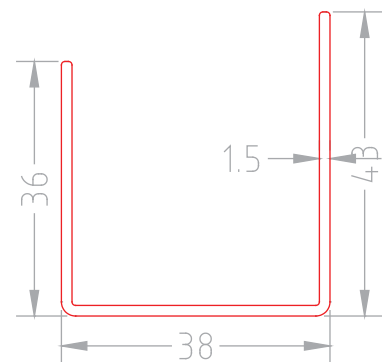


BF 411-12 (Thickness 1.2mm) **BF 411-15** (Thickness 1.5mm) **BF 411-20** (Thickness 2.0mm)

Iron reinforcement

Can be used for:

BF 7610 Profile extension
100mm

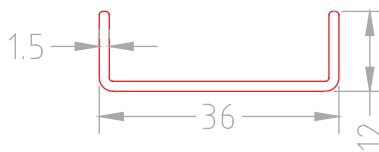


BF 412-12 (Thickness 1.2mm) **BF 412-15** (Thickness 1.5mm) **BF 412-20** (Thickness 2.0mm)

Iron reinforcement

Can be used for:

BF 7625 Profile extension
25mm

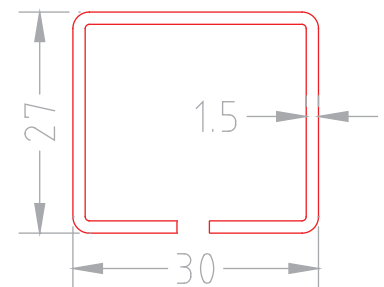


BF 408-12 (Thickness 1.2mm) **BF 408-15** (Thickness 1.5mm) **BF 408-20** (Thickness 2.0mm)

Iron reinforcement

Can be used for:

BF 7601 and **BF 7611** Frame,
BF 7602 Sash, **BF 7612**
Cornice frame profile,
BF 7605 and **BF 7615** Mullion
(T-bar) profile, **BF 85-76**
Frame combination and
BF 76-84 Mullion (T-Bar)
combination

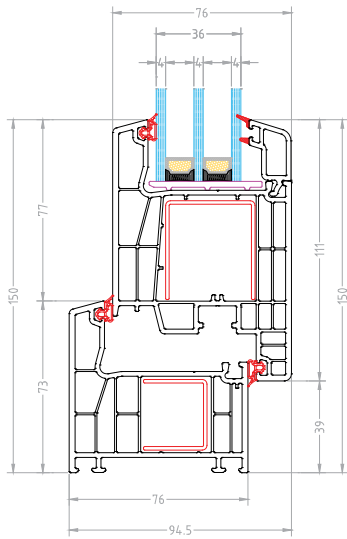


Squared reinforcement

BF 413-12 (Thickness 1.2mm) **BF 413-15** (Thickness 1.5mm) **BF 413-20** (Thickness 2.0mm)

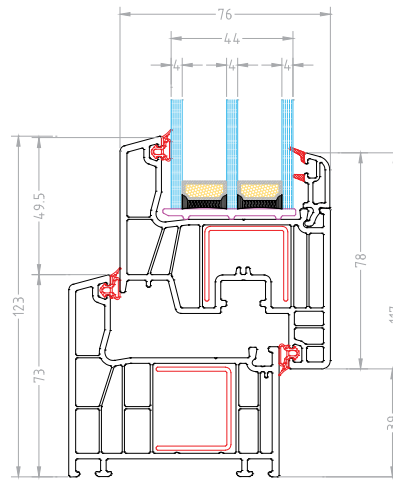
DOOR SYSTEM

Application of frame and door sash



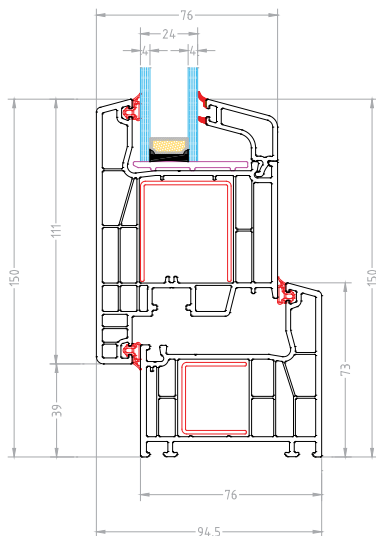
WINDOW SYSTEM

Application of frame and window sash



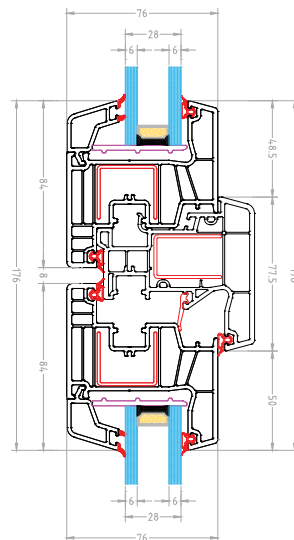
DOOR SYSTEM

Application of frame and outward opening door sash



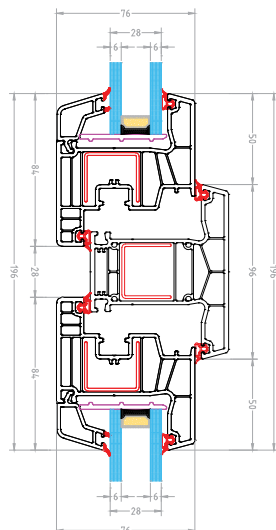
WINDOW SYSTEM

Application of sash and false mullion profile



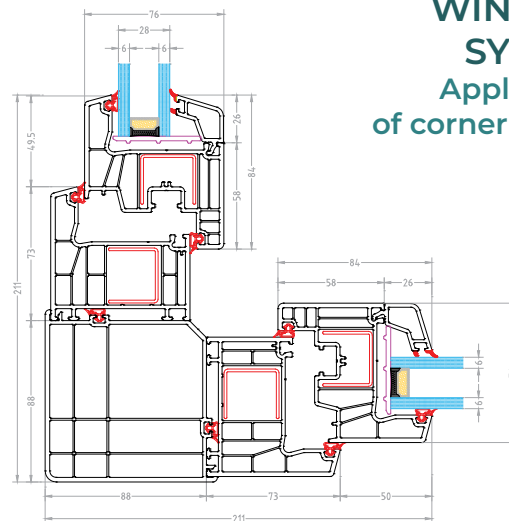
WINDOW SYSTEM

Application of sash and Mullion (T-bar) profile

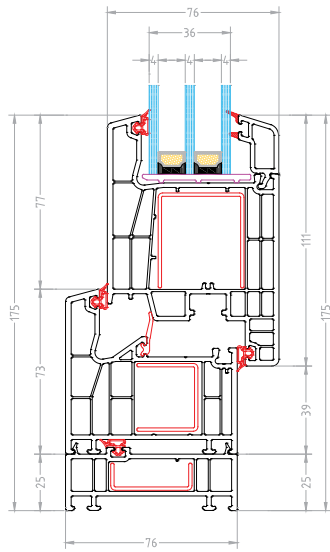


WINDOW SYSTEM

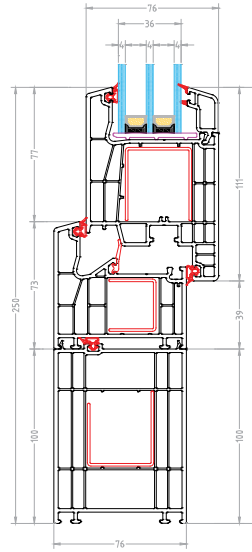
Application of corner profile



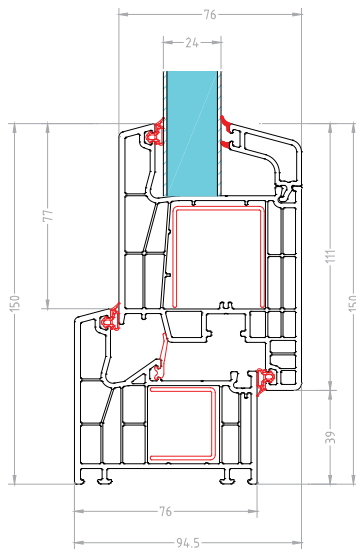
DOOR SYSTEM
Application of frame extension 25mm



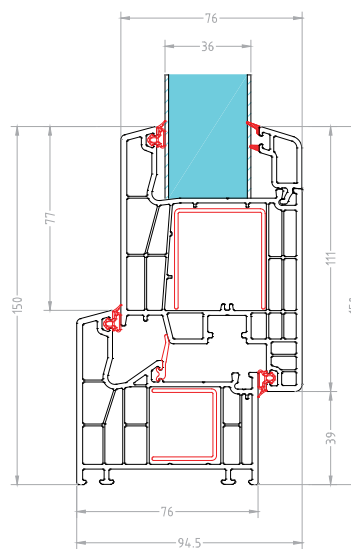
DOOR SYSTEM
Application of frame extension 100mm



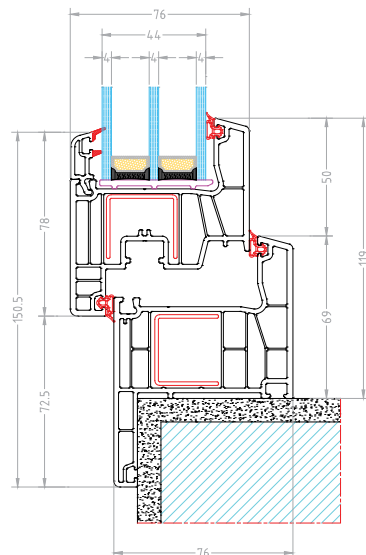
DOOR SYSTEM
Application of 24mm door panel



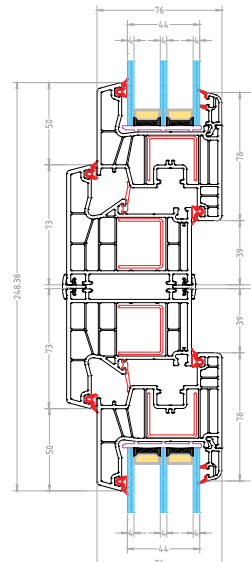
DOOR SYSTEM
Application of 36mm door panel



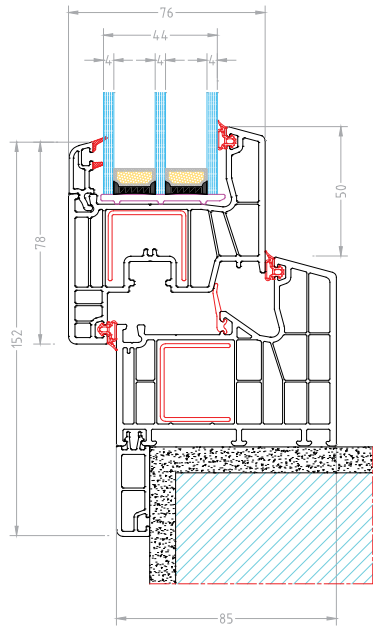
WINDOW SYSTEM
Application of cornice frame profile



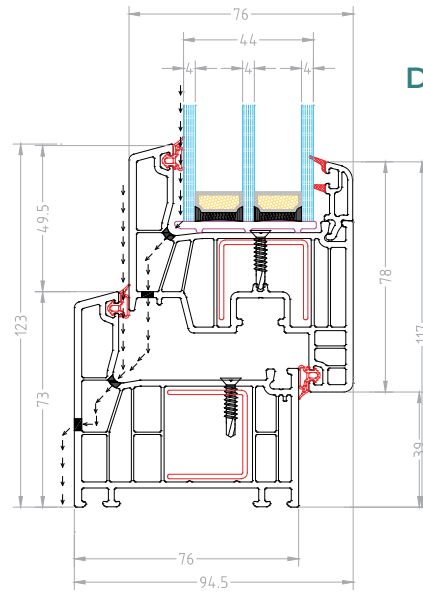
WINDOW SYSTEM
Application of connection molding



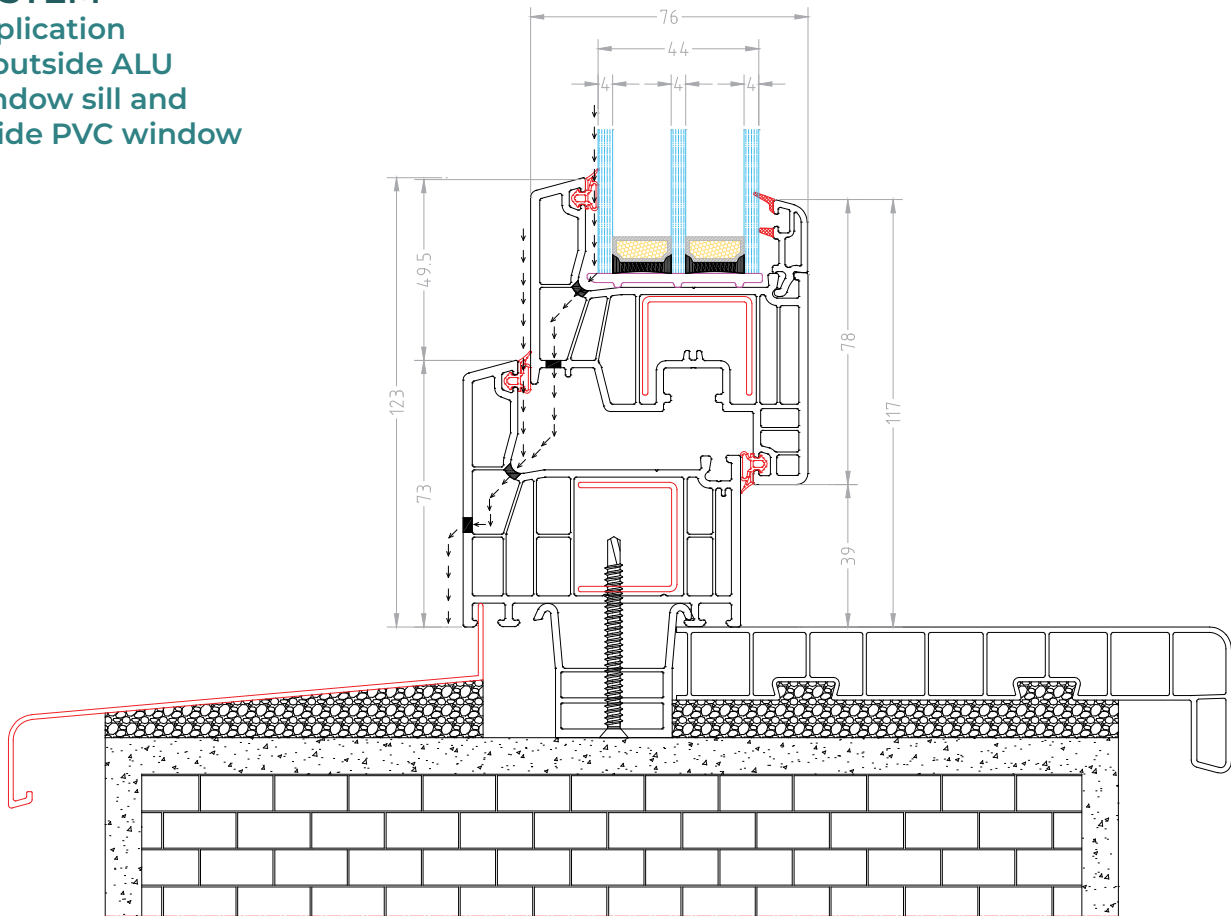
WINDOW SYSTEM
 Application of additional cornice part on the wall
 Used 85-76 Combination frame



WINDOW SYSTEM
 Drainage view



WINDOW SYSTEM
 Application of outside ALU window sill and inside PVC window sill





Fire Retardant

uPVC is self-extinguishing and does not support combustion, making it a safer choice in case of fire compared to traditional materials.



7000 series

The A-Class 7000 system is designed for clients who desire a fusion of modern elegance, practicality, and functionality. It guarantees the utmost comfort and significantly enhances the quality of life for all users.



5 chambers

Featuring five-chamber technology, this system is engineered for superior thermal and sound insulation.



2 gaskets

Two gaskets ensure excellent windproofing, optimal wind protection, and superior sound insulation.



Triple glass

Available with single glass of 4mm, two-layer 20mm and 24mm glass and triple 30mm glass.



70mm width

Our 70mm width uPVC profile offers exceptional durability, energy efficiency, and a sleek design.



Quality and certified

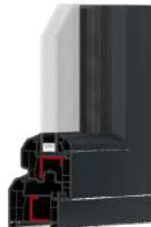


Standard colors of our uPVC profiles

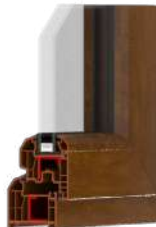
All other colors can be made to order



White



Anthracite



Golden Oak



Dark Oak



Nussbaum



Jet Black



Mahogany

Why to choose our products?

Our PVC window and door systems are manufactured using advanced technology and provide an excellent level of acoustic and thermal insulation, achieving the highest quality standards available.



Environment Friendly



Easy Installation



Cost Effective



Noise Reduction



Can be recycled



Less Maintenance



Fire Retardant



Long life



Thermal Insulation



Modern design



Premium uPVC profiles

Created from high-quality raw materials



Innovation

Enhanced durability and energy efficiency for construction needs



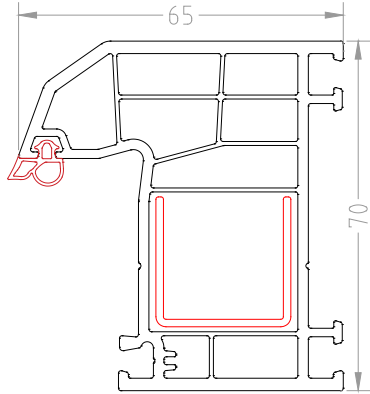
Reliability

Our uPVC profiles are designed for unmatched reliability

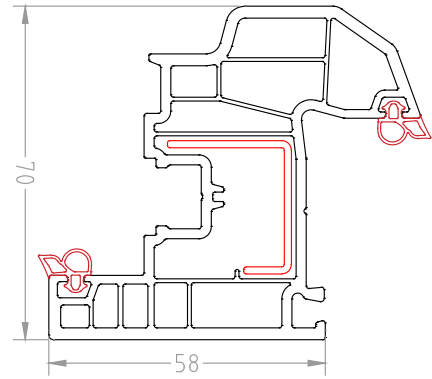


Scan code and read more informations about this uPVC profile series.

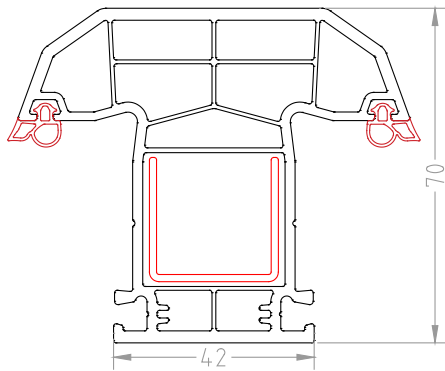
BF 7001
Frame profile



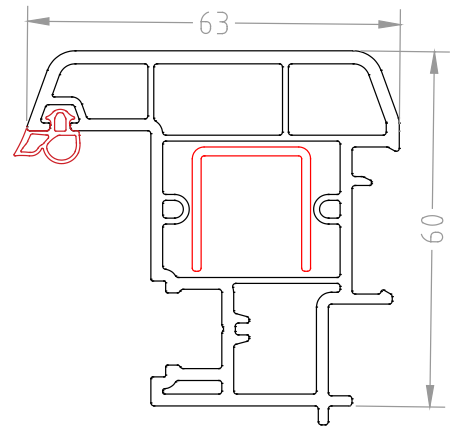
BF 7011
Sash profile



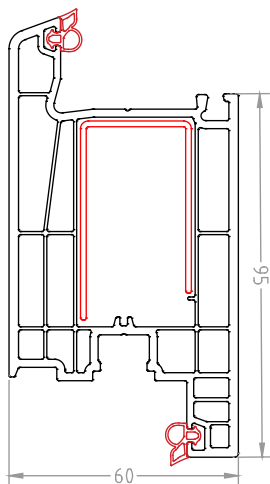
BF 7021
Mullion (T-bar) profile



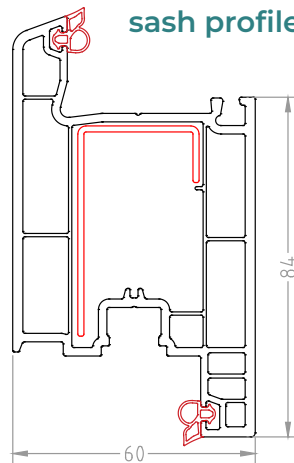
BF 6031
False mullion profile



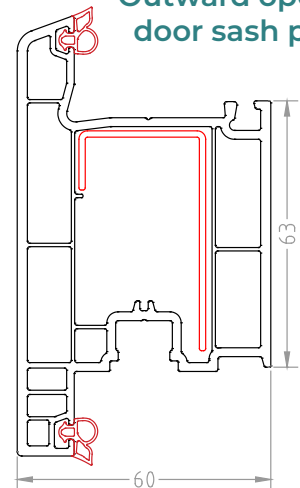
BF 7033
In turn door sash profile



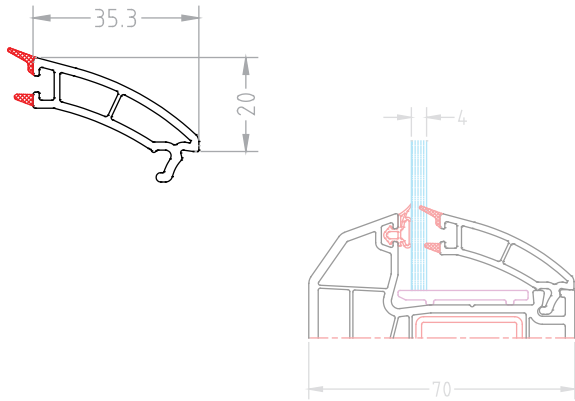
BF 6041
In turn door sash profile



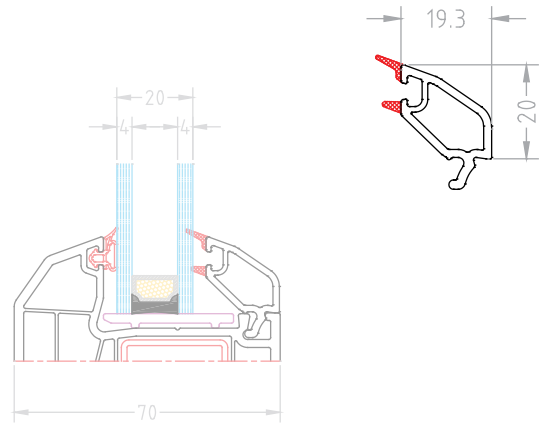
BF 6051
Outward opening door sash profile



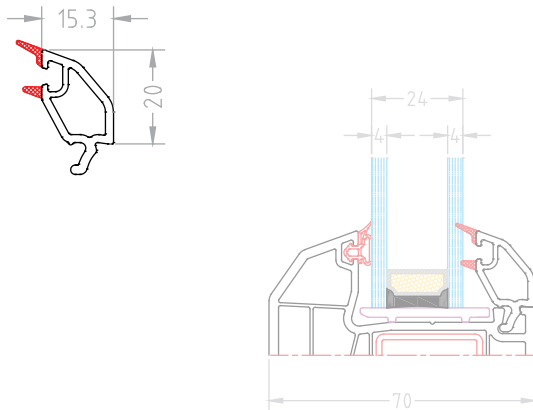
BF 7053
Single glazing bead
4 mm



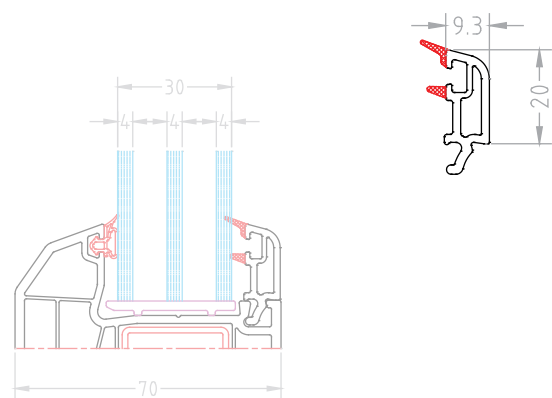
BF 7052
Double glazing bead
20 mm



BF 7051
Double glazing bead
24 mm



BF 7054
Triple glazing bead
30 mm



Glazing Beads for uPVC Windows and Doors

Glazing beads are crucial components in uPVC windows and doors, ensuring the glass panes are securely held in place while providing a neat and finished appearance. These beads are typically made from the same uPVC material as the window or door frames, ensuring a seamless and cohesive look.

✔ Durability

✔ Low Maintenance

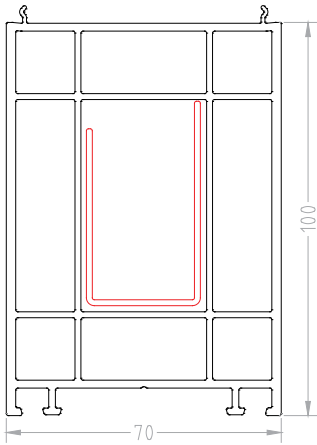
✔ Energy Efficiency

7000 series

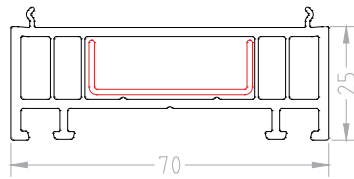
5 chamber uPVC profiles

Additional profiles

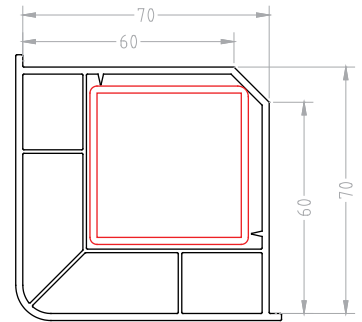
BF 5035
Profile extension
70*100mm



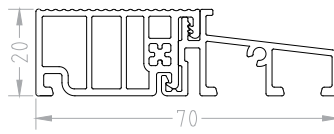
BF 5031
Profile extension
70*25mm



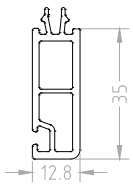
BF 7210
Connecting pillar



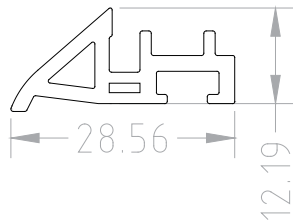
BF 7707
Treshold



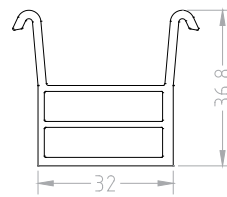
BF 5025
Additional cornice
part - Adaptor



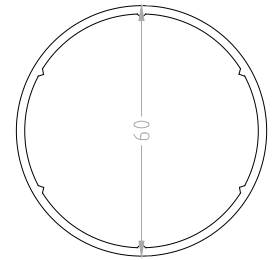
BF 8536
Window Drainboard



BF 7208
Blind box extension



BF 7209
Angle connection
pipe



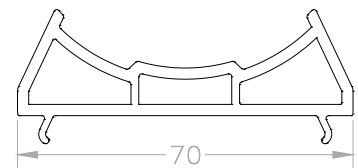
BF 7708
Treshold cap 70



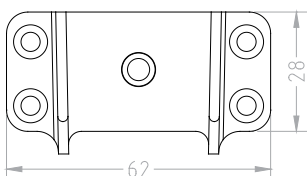
BF 7713
False mullion cap 70



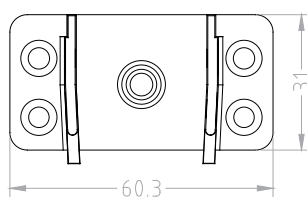
BF 7710
Pipe adaptor



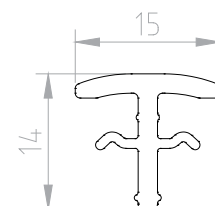
OB 0097
Wide T-bar coupling 70



OB 0034
Narrow T-bar coupling 60



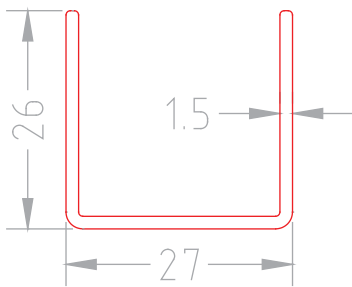
BF 7202
Connecting molding



Iron reinforcement

Can be used for:

BF 7001 Frame profile and
BF 7021 Mullion (T-bar)
profile

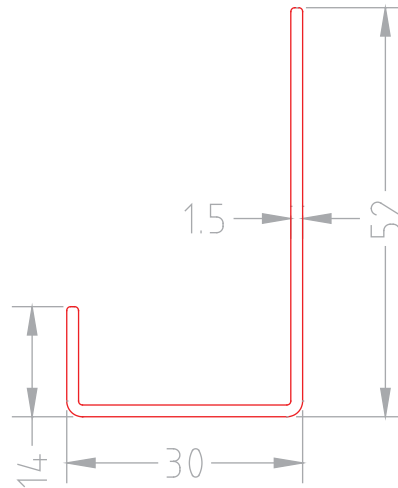


BF 405-10 (Thickness 1.0mm) **BF 405-12** (Thickness 1.2mm) **BF 405-15** (Thickness 1.5mm)

Iron reinforcement

Can be used for:

BF 6041 Door sash
BF 6051 Outward door sash

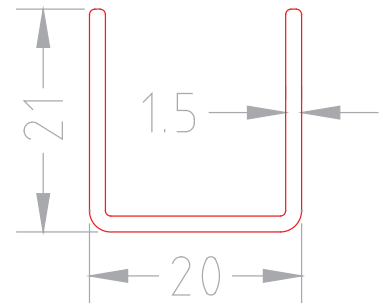


BF 403-10 (Thickness 1.0mm) **BF 403-12** (Thickness 1.2mm) **BF 403-15** (Thickness 1.5mm)

Iron reinforcement

Can be used for:

BF 6031 False mullion profile

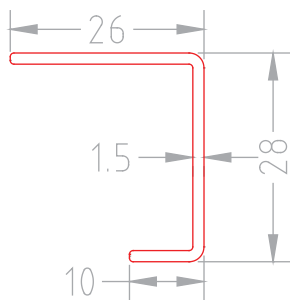


BF 404-10 (Thickness 1.0mm) **BF 404-12** (Thickness 1.2mm) **BF 404-15** (Thickness 1.5mm)

Iron reinforcement

Can be used for:

BF 7011 Sash profile

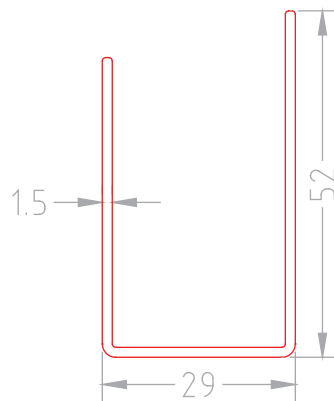


BF 406-10 (Thickness 1.0mm) **BF 406-12** (Thickness 1.2mm) **BF 406-15** (Thickness 1.5mm)

Iron reinforcement

Can be used for:

BF 7033 In turn door sash
BF 5035 Profile extension
100mm

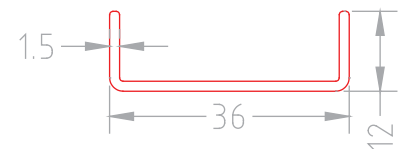


BF 407-10 (Thickness 1.0mm) **BF 407-12** (Thickness 1.2mm) **BF 407-15** (Thickness 1.5mm)

Iron reinforcement

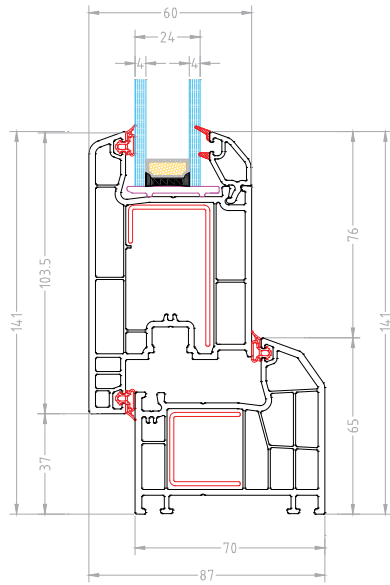
Can be used for:

BF 5031 Profile extension
25mm

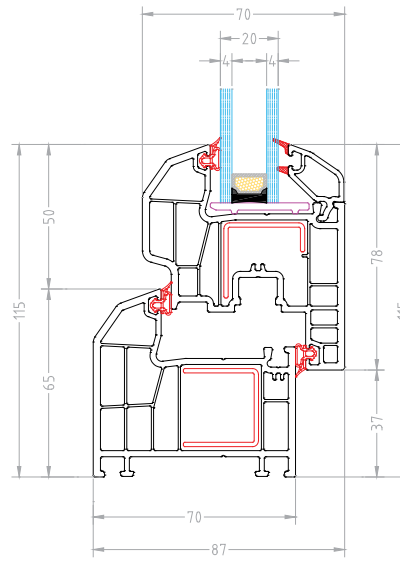


BF 408-10 (Thickness 1.0mm) **BF 408-12** (Thickness 1.2mm) **BF 408-15** (Thickness 1.5mm)

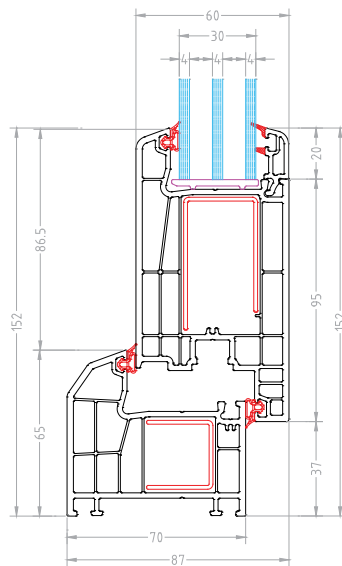
DOOR SYSTEM
Application of frame and door sash



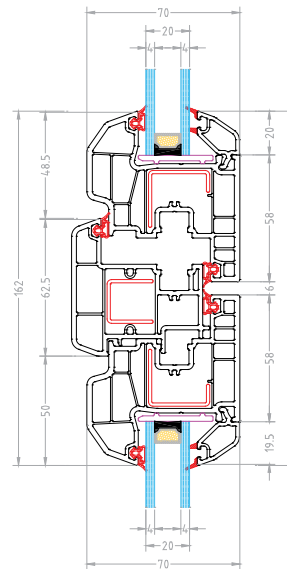
WINDOW SYSTEM
Application of frame and window sash



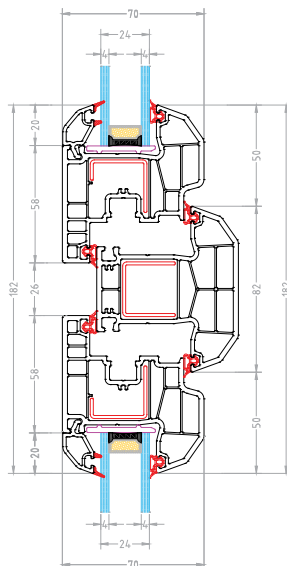
DOOR SYSTEM
Application of frame and outward opening door sash



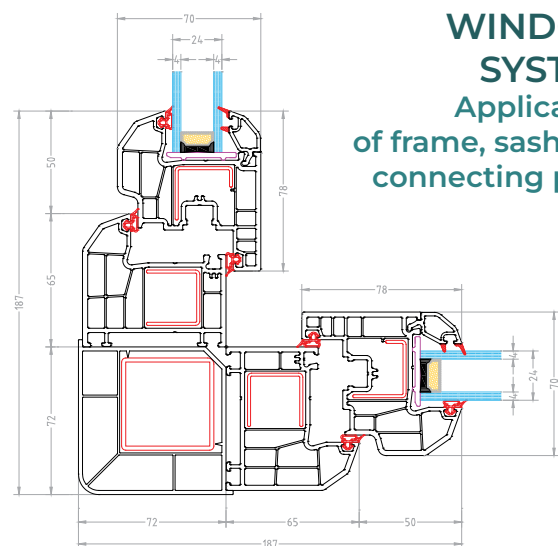
WINDOW SYSTEM
Application of sash and false mullion profile



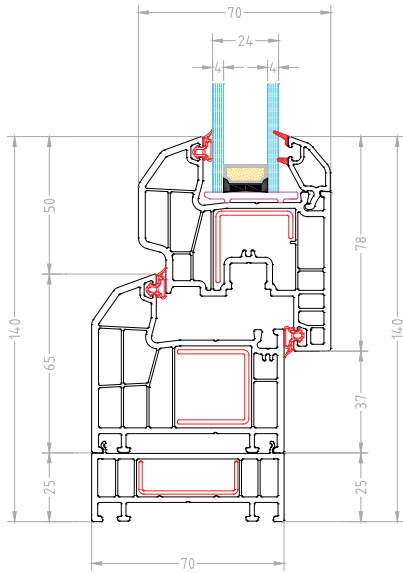
WINDOW SYSTEM
Application of sash and Mullion (T-bar) profile



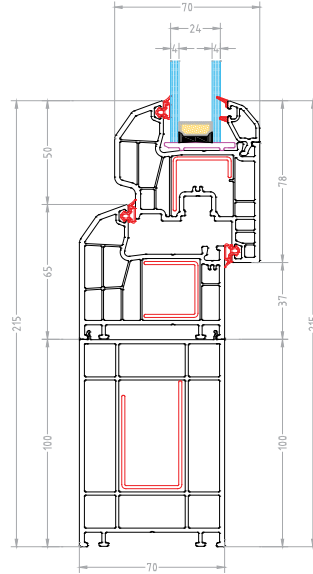
WINDOW SYSTEM
Application of frame, sash and connecting pillar (90°)



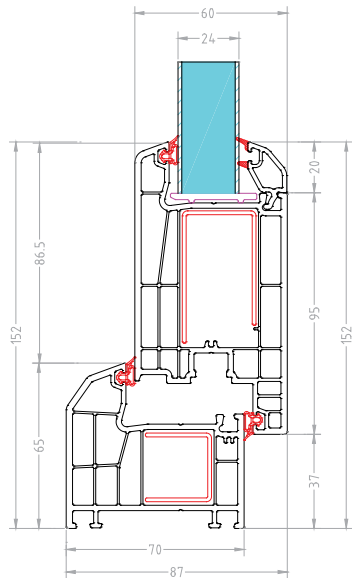
WINDOW SYSTEM
Application of frame extension 25mm



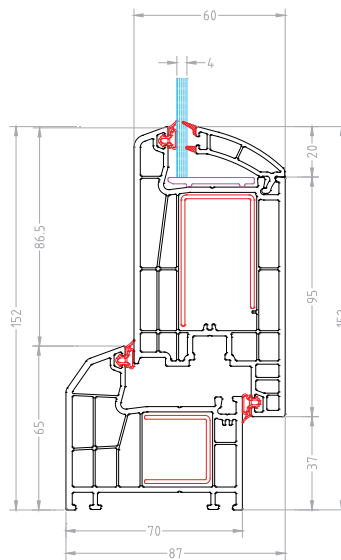
WINDOW SYSTEM
Application of frame extension 100mm



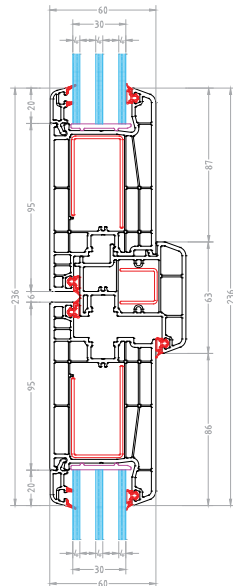
DOOR SYSTEM
Application of 24mm door panel



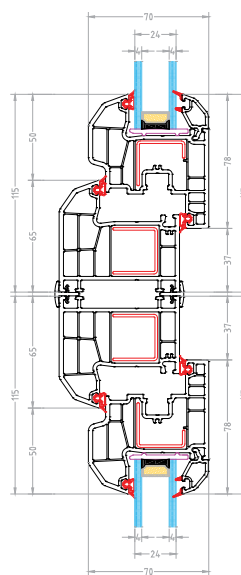
DOOR SYSTEM
Application of single glass (4mm)



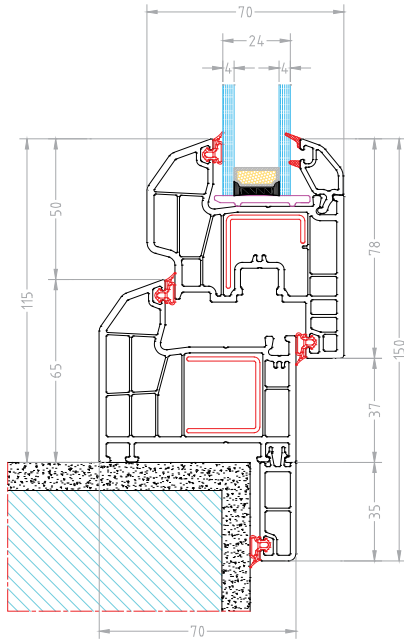
DOOR SYSTEM
Application of door sash with false mullion



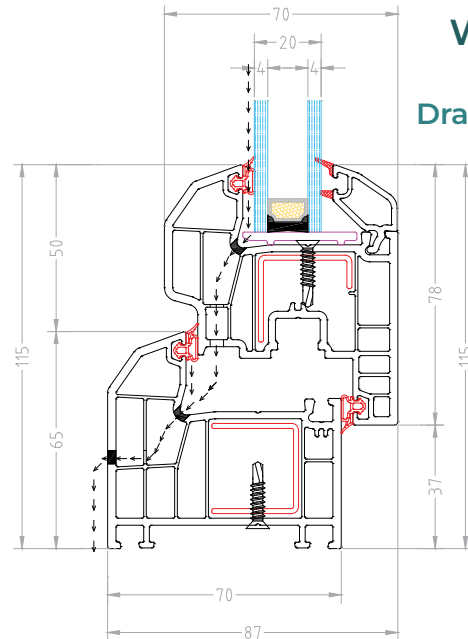
WINDOW SYSTEM
Application of connection molding



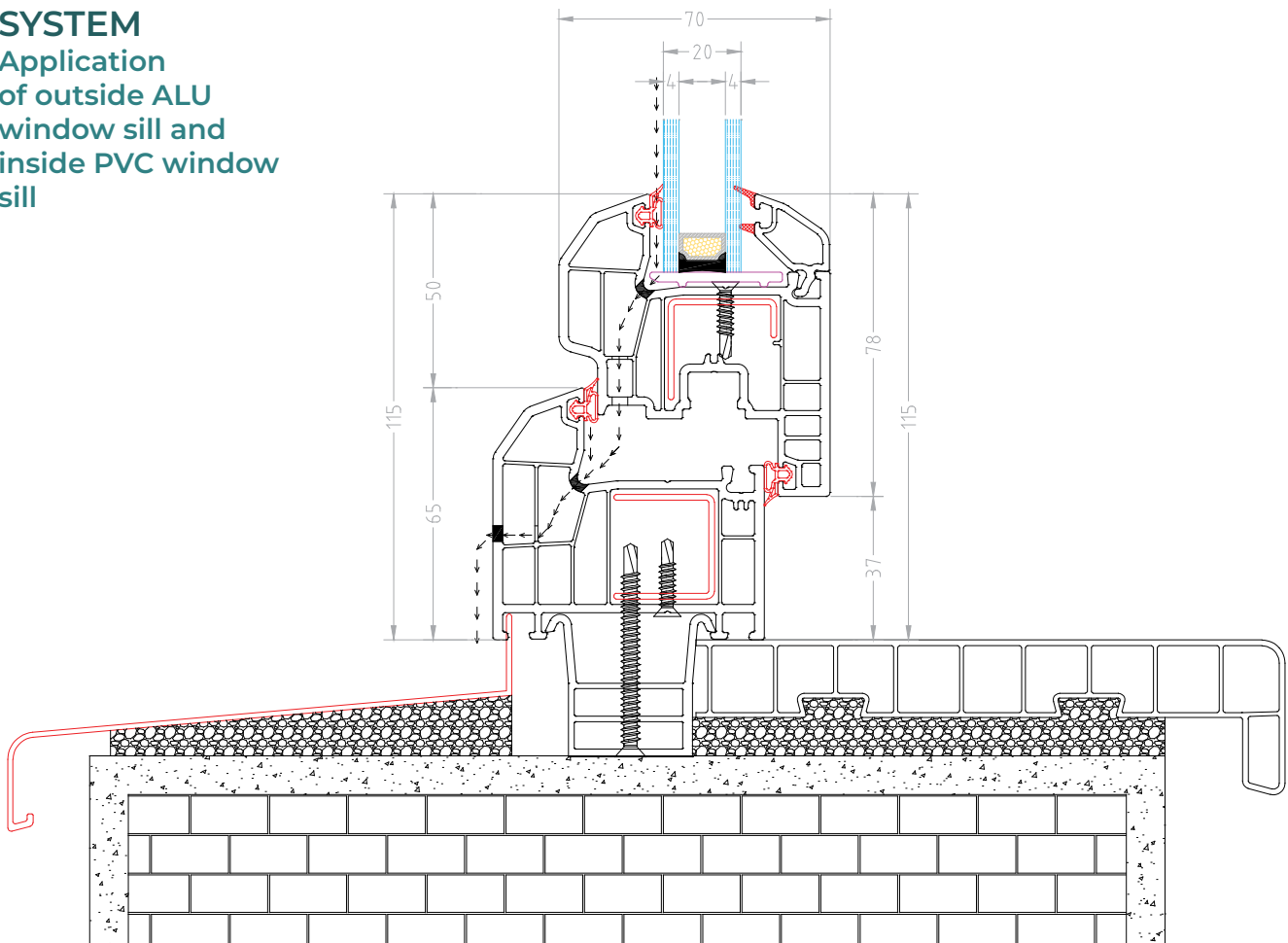
WINDOW SYSTEM
Application of additional cornice part on the wall



WINDOW SYSTEM
Drainage view



WINDOW SYSTEM
Application of outside ALU window sill and inside PVC window sill





Cost-Effective

uPVC profiles are more affordable than aluminum or wood alternatives, offering a great balance between price, performance, and longevity.

6000 series

The 6000 system, featuring four chambers, is crafted for clients seeking a blend of modern elegance, practicality, and functionality. It ensures maximum comfort and greatly improves the quality of life for all users.



4 chambers

Designed with four-chamber technology, this system provides exceptional thermal and sound insulation.



2 gaskets

Two gaskets ensure excellent windproofing, optimal wind protection, and superior sound insulation.



Double glass

Available with single glass of 4mm, two-layer 20mm and 24mm glass, and triple 30mm glass.



60mm width

Our 60mm wide uPVC profile delivers outstanding durability, energy efficiency, and a stylish design.



Quality and certified



Standard colors of our uPVC profiles

All other colors can be made to order



White



Anthracite



Golden Oak



Dark Oak



Nussbaum



Jet Black



Mahogany

Why to choose our products?

Our PVC window and door systems are manufactured using advanced technology and provide an excellent level of acoustic and thermal insulation, achieving the highest quality standards available.



Environment Friendly



Easy Installation



Cost Effective



Noise Reduction



Can be recycled



Less Maintenance



Fire Retardant



Long life



Thermal Insulation



Modern design



Premium uPVC profiles

Created from high-quality raw materials



Innovation

Enhanced durability and energy efficiency for construction needs



Reliability

Our uPVC profiles are designed for unmatched reliability



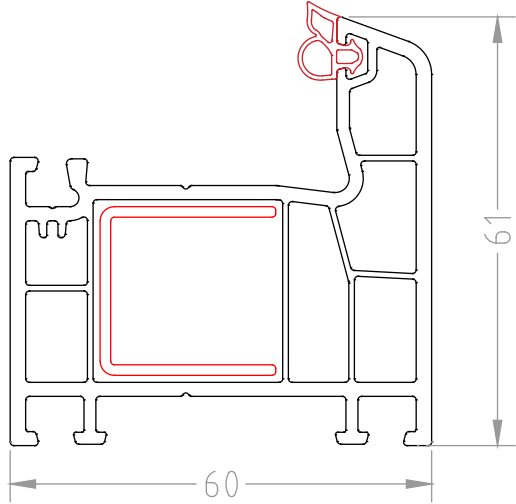
Scan code and read more informations about this uPVC profile series.

6000 Series

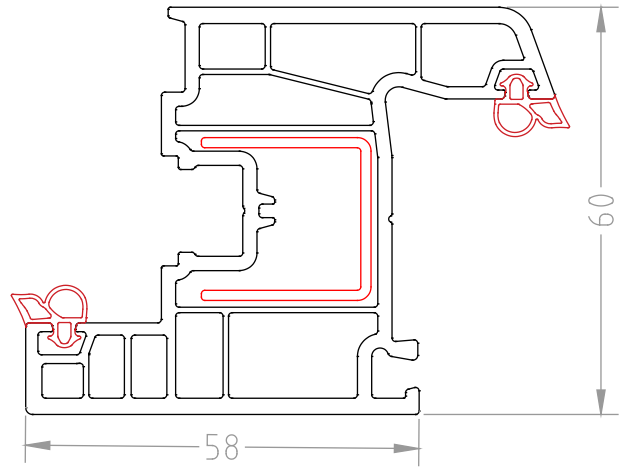
4 chamber uPVC profiles

Main profiles

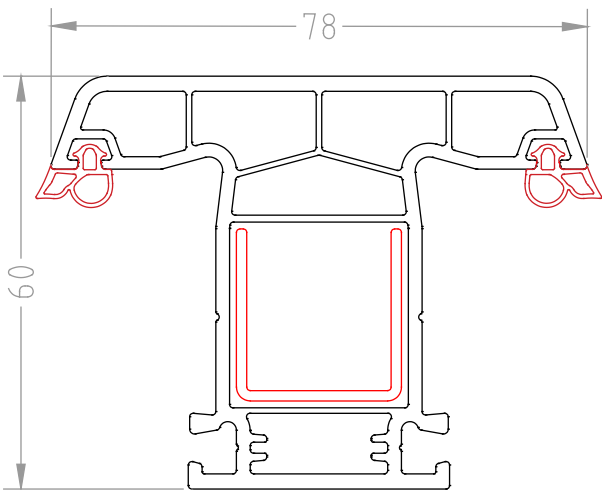
BF 6001
Frame profile



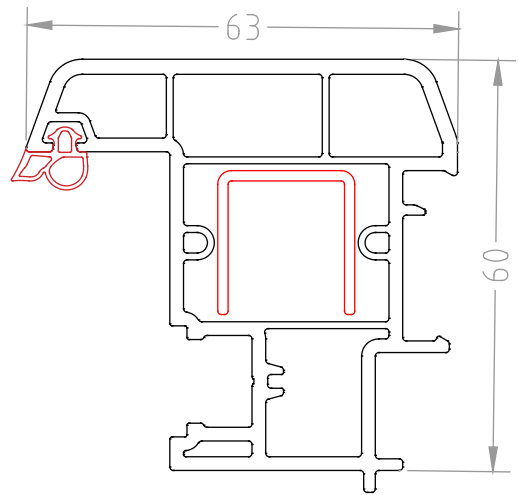
BF 6011
Sash profile



BF 6021
Mullion (T-bar) profile



BF 6031
False mullion profile



Energy efficiency

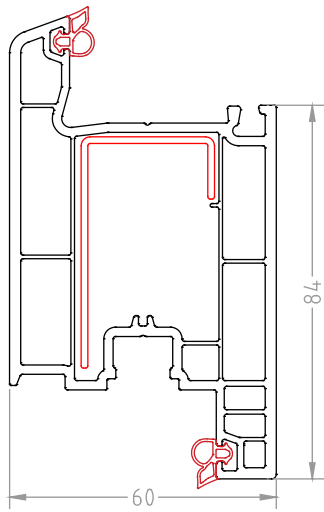


Outstanding durability

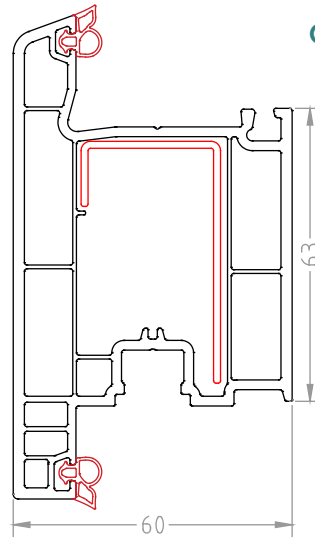


Stylish design

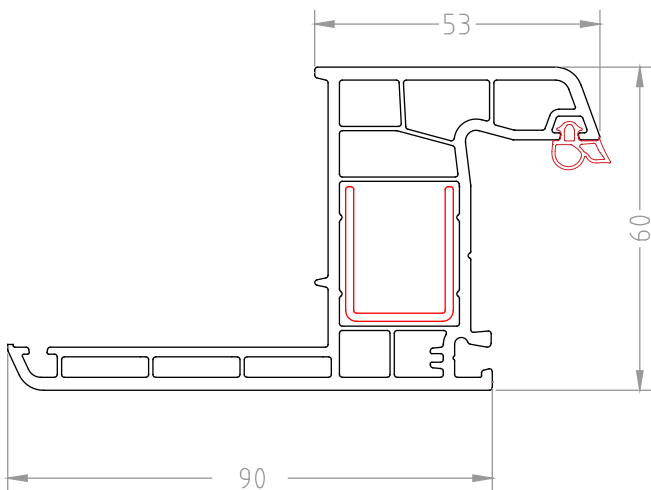
BF 6041
In turn door
sash profile



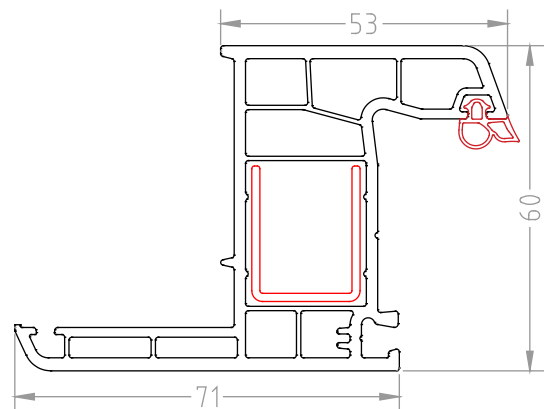
BF 6051
Outward opening
door sash profile



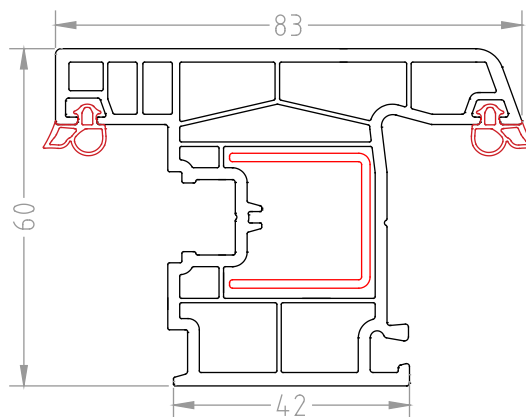
BF 6061
L frame with cornice



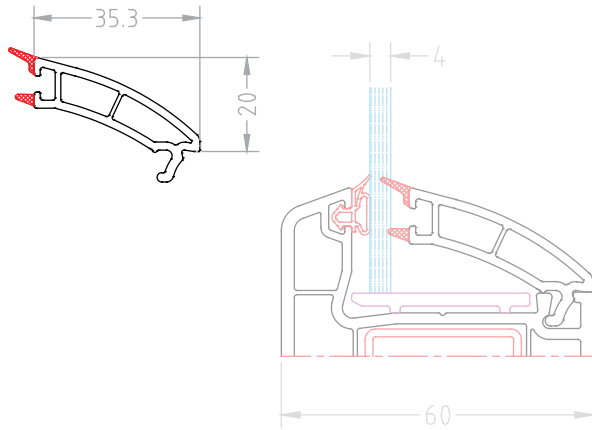
BF 6071
L frame with cornice



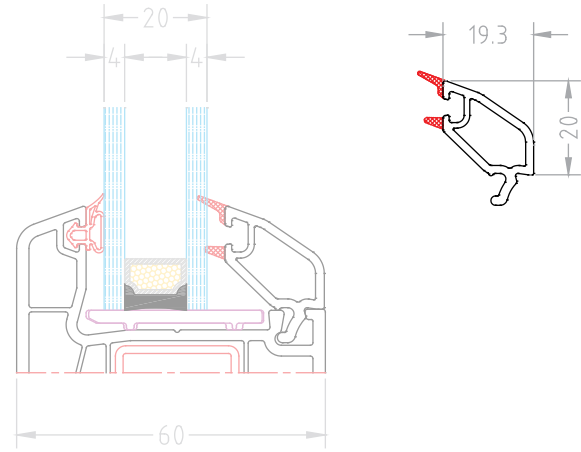
BF 6081
Outward opening window
sash



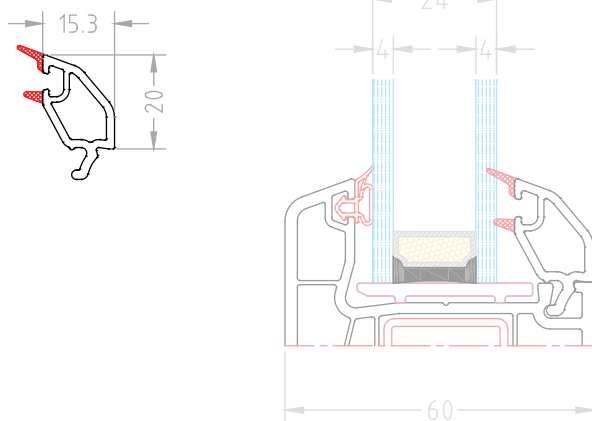
BF 7053
Single glazing bead
4 mm



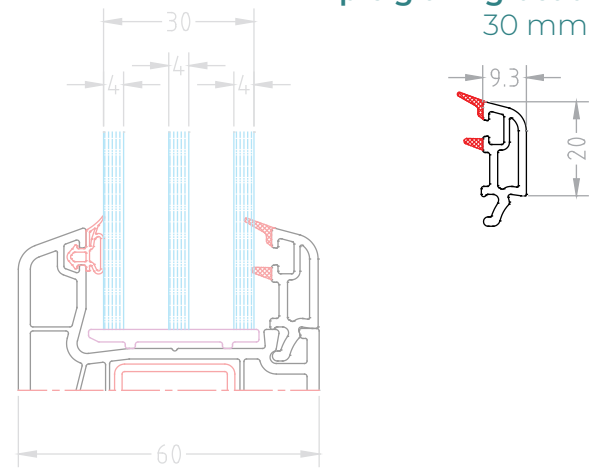
BF 7052
Double glazing bead
20 mm



BF 7051
Double glazing bead
24 mm



BF 7054
Triple glazing bead
30 mm



Glazing Beads for uPVC Windows and Doors

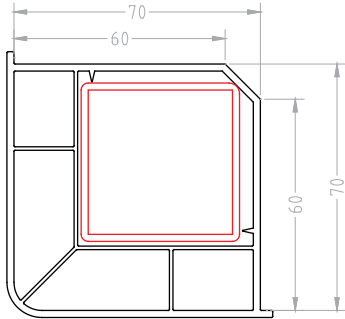
Glazing beads are crucial components in uPVC windows and doors, ensuring the glass panes are securely held in place while providing a neat and finished appearance. These beads are typically made from the same uPVC material as the window or door frames, ensuring a seamless and cohesive look.

✔ Durability

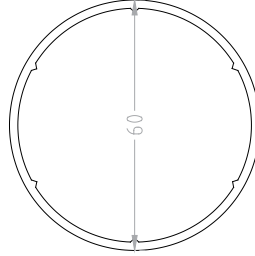
✔ Low Maintenance

✔ Energy Efficiency

BF 7210
Connecting pillar



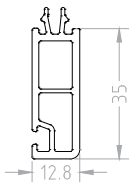
BF 7209
Angle connection pipe



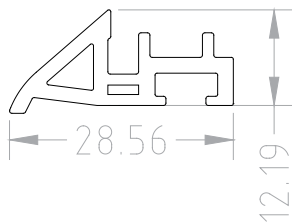
BF 7713
False mullion cap 70



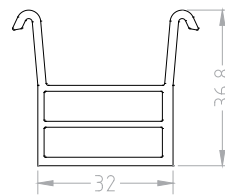
BF 5025
Additional cornice part - Adaptor



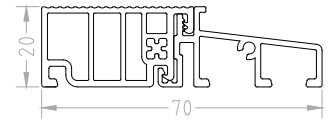
BF 8536
Window Drainboard



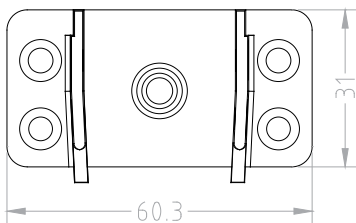
BF 7208
Blind box extension



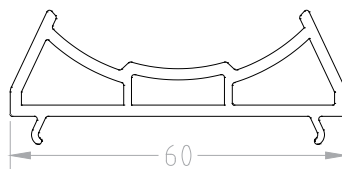
BF 7707
Treshold



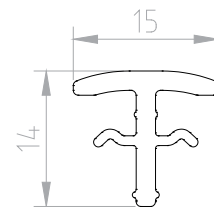
OB 0034
Narrow T-bar coupling 60



BF 6610
Pipe adaptor

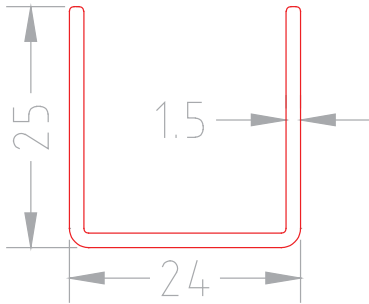


BF 7202
Connecting molding



Iron reinforcement

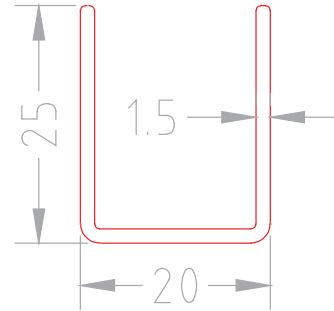
Can be used for:
BF 6001 Frame profile
BF 6011 Sash profile
BF 6021 Mullion (T-bar) profile
BF 6081 Outward opening window sash



BF 401-10 (Thickness 1.0mm) **BF 401-12** (Thickness 1.2mm) **BF 401-15** (Thickness 1.5mm)

Iron reinforcement

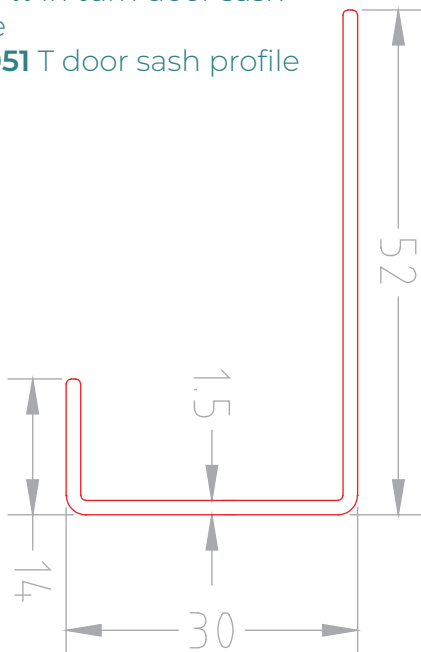
Can be used for:
BF 6061 L Frame cornice profile
BF 6071 L Frame cornice profile



BF 402-10 (Thickness 1.0mm) **BF 402-12** (Thickness 1.2mm) **BF 402-15** (Thickness 1.5mm)

Iron reinforcement

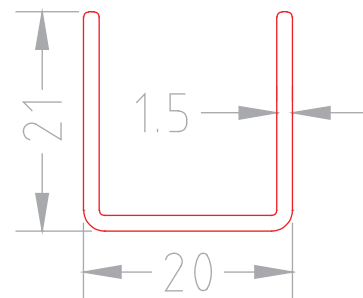
Can be used for:
BF 6041 In turn door sash profile
BF 6051 T door sash profile



BF 403-10 (Thickness 1.0mm) **BF 403-12** (Thickness 1.2mm) **BF 403-15** (Thickness 1.5mm)

Iron reinforcement

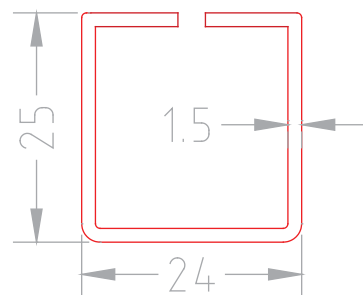
Can be used for:
BF 6031 Moving mullion profile



BF 404-10 (Thickness 1.0mm) **BF 404-12** (Thickness 1.2mm) **BF 404-15** (Thickness 1.5mm)

Iron reinforcement

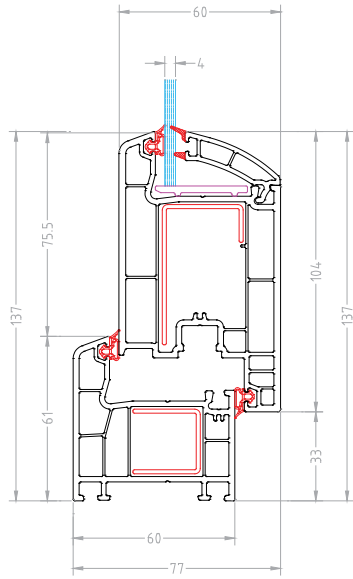
Can be used for:
BF 6001 Frame profile,
BF 6021 Mullion (T-bar) profile



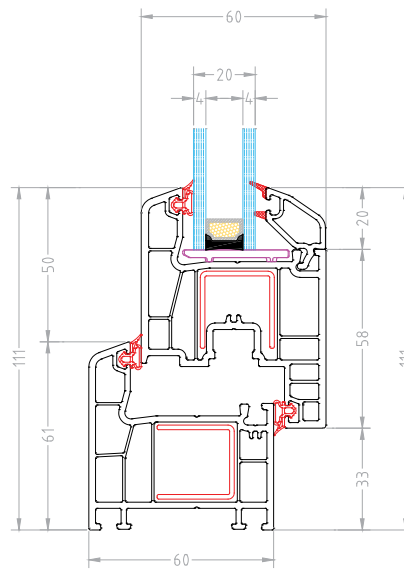
BF 422-10 (Thickness 1.0mm) **BF 422-12** (Thickness 1.2mm) **BF 422-15** (Thickness 1.5mm)

Our uPVC profiles come with the option for steel reinforcement and a variety of multi-point locking systems places that make them among the safest and securest systems on the market.

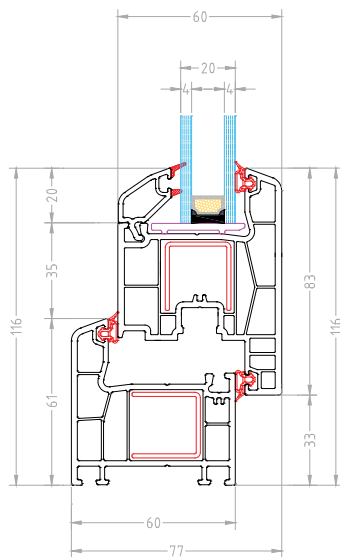
DOOR SYSTEM
Application of frame and door sash



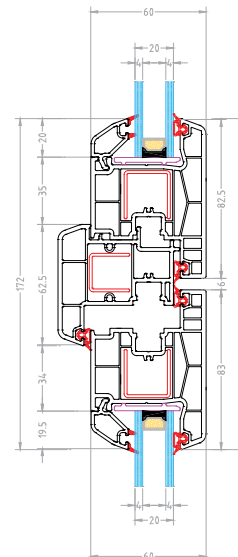
WINDOW SYSTEM
Application of frame and window sash



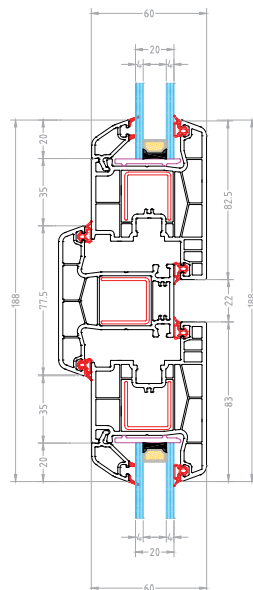
DOOR SYSTEM
Application of frame and outward opening door sash



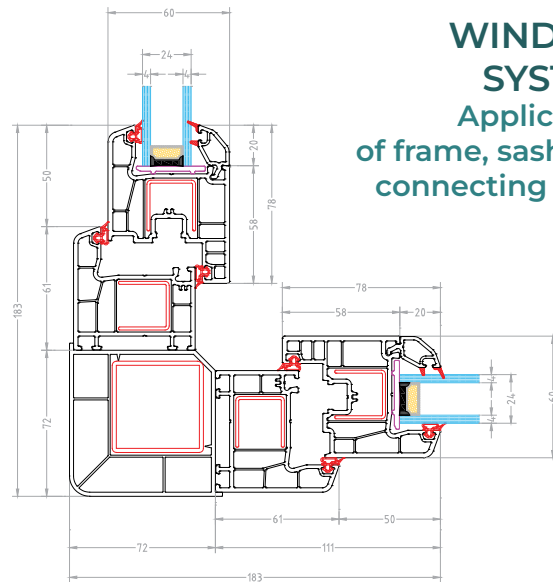
WINDOW SYSTEM
Application of sash and false mullion profile



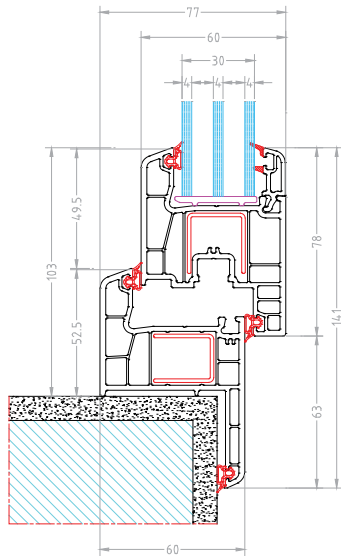
WINDOW SYSTEM
Application of sash and Mullion (T-bar) profile



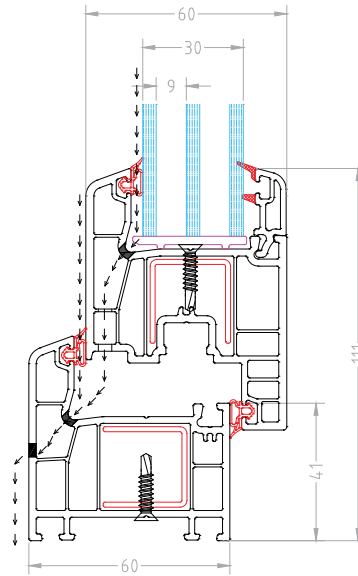
WINDOW SYSTEM
Application of frame, sash and connecting pillar (90°)



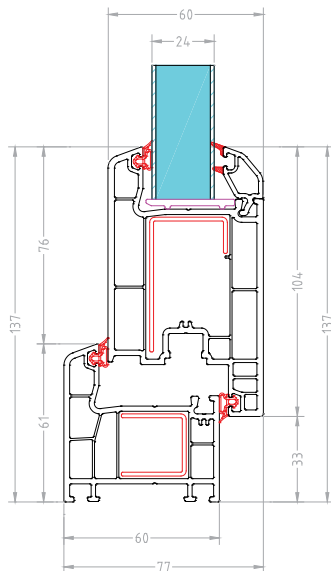
WINDOW SYSTEM
Application of cornice profile on the wall



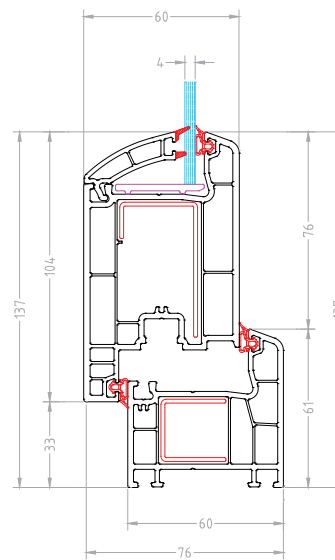
WINDOW SYSTEM
Drainage view



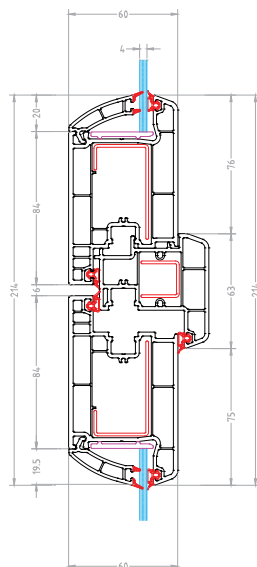
DOOR SYSTEM
Application of 24mm door panel



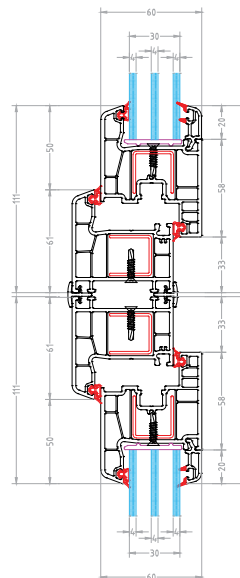
DOOR SYSTEM
Application of single glass (4mm)



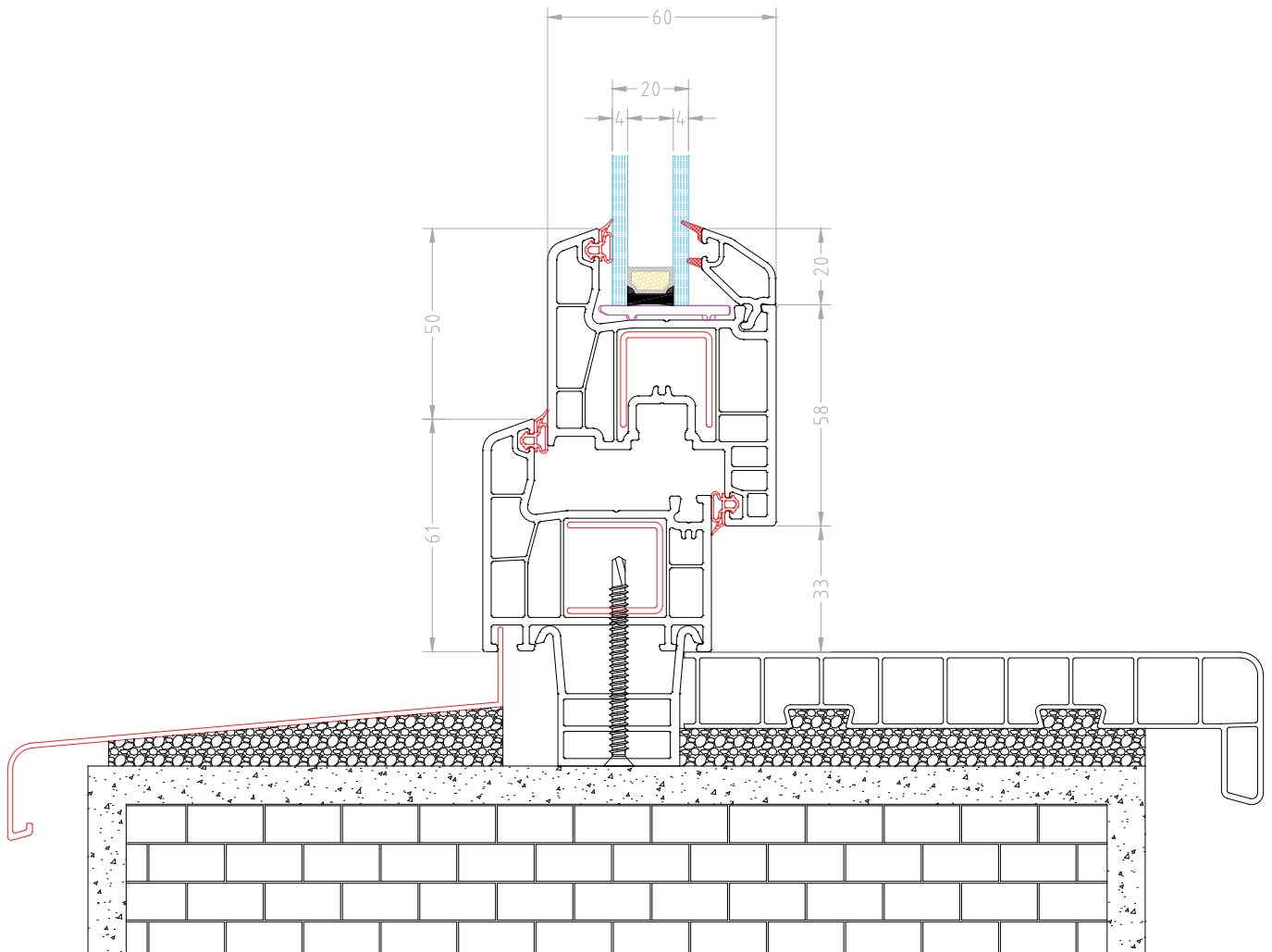
DOOR SYSTEM
Application of door sash with false mullion



WINDOW SYSTEM
Application of connection molding



**WINDOW
SYSTEM**
Application
of outside ALU
window sill and
inside PVC window
sill

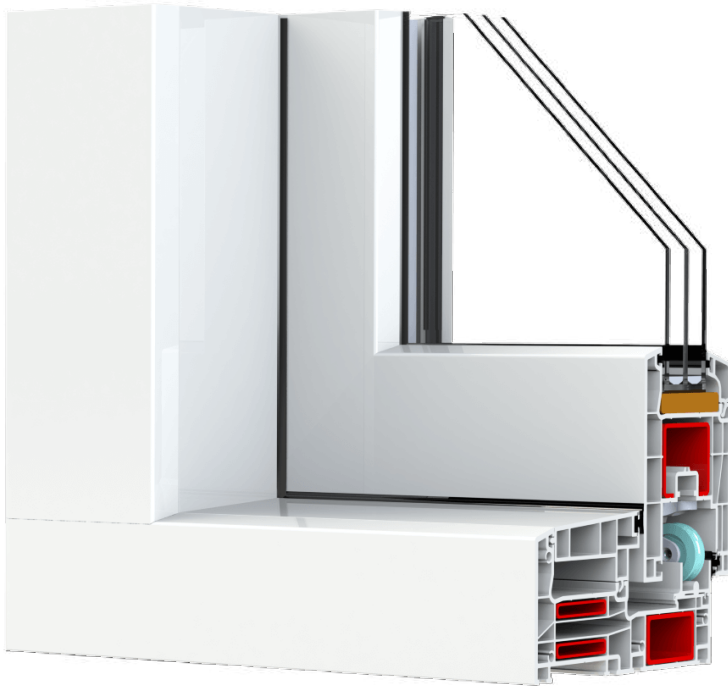




Design Versatility

Available in a wide range of colors, finishes, and styles, uPVC profiles can mimic wood grain or come in sleek modern designs to suit any architecture.

Unique slide



Innovative hardware design: Convenient and easy operation with little effort due to closing motion across the frame profile.
High impermeability due to circumferential gasket and active control of all locking points (also in the mullion).

- 
Maximum operating comfort
 Easy to use thanks to innovative closing movement perpendicular to the frame profile and construction on roller bearings.
- 
Tightly sealed
 Permanently tightly sealed, even in extreme weather events with storms and heavy rain, thanks to circumferential gasket and locking points.
- 
Exclusive design
 Harmonious appearance thanks to concealed technology and modern window handles.
- 
Premium quality
 Robust and well-made components, proven and tested many times over in accordance with the highest quality standards.



Quality and certified



Standard colors of our uPVC profiles

All other colors can be made to order



White



Anthracite



Golden Oak



Dark Oak



Nussbaum



Jet Black



Mahogany

Why to choose our products?

Our PVC window and door systems are manufactured using advanced technology and provide an excellent level of acoustic and thermal insulation, achieving the highest quality standards available.



Environment Friendly



Easy Installation



Cost Effective



Noise Reduction



Can be recycled



Less Maintenance



Fire Retardant



Long life



Thermal Insulation



Modern design



Premium uPVC profiles

Created from high-quality raw materials



Innovation

Enhanced durability and energy efficiency for construction needs

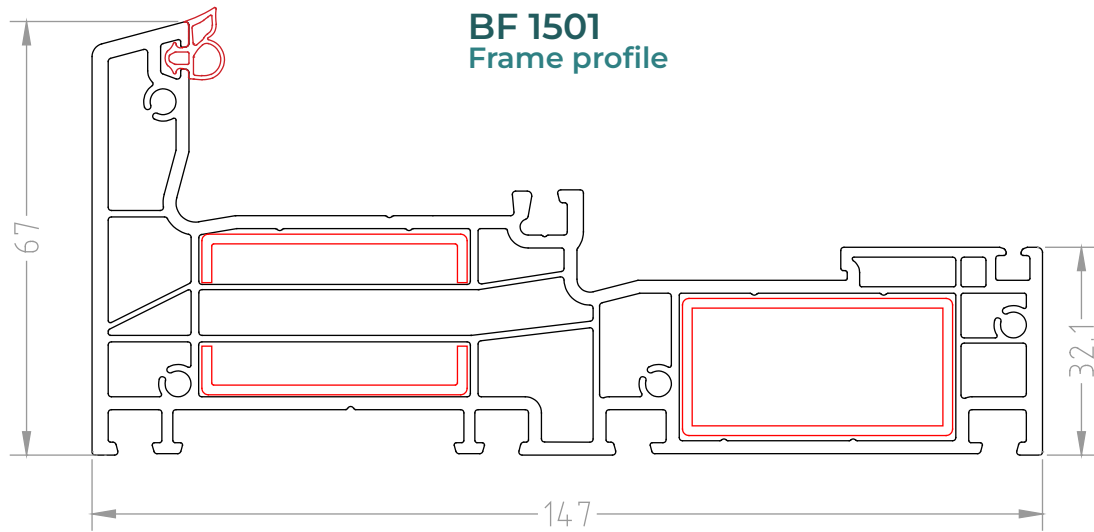


Reliability

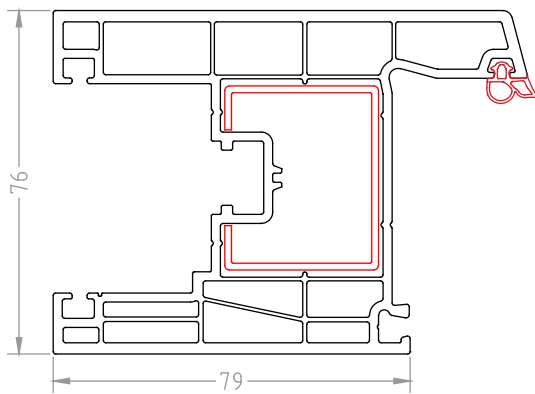
Our uPVC profiles are designed for unmatched reliability



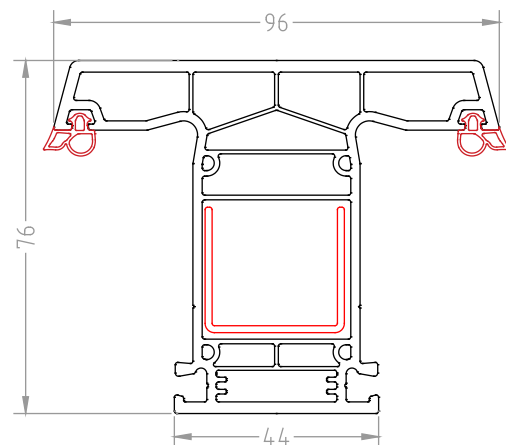
Scan code and read more informations about this uPVC profile series.



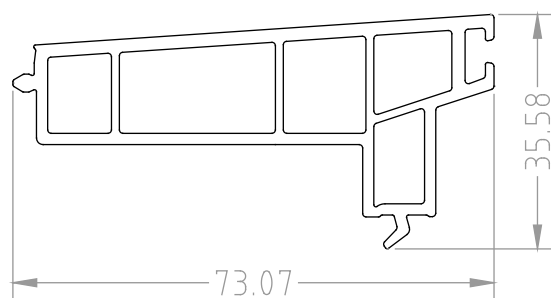
BF 1502
Sliding sash



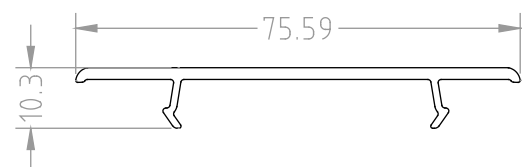
BF 7615
Mullion (T-bar) profile



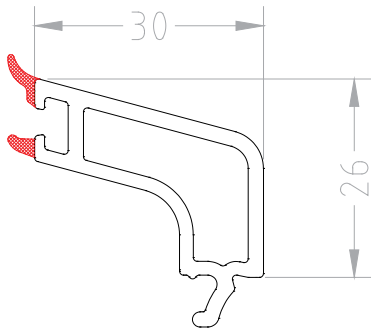
BF 1503
Sliding sash cover



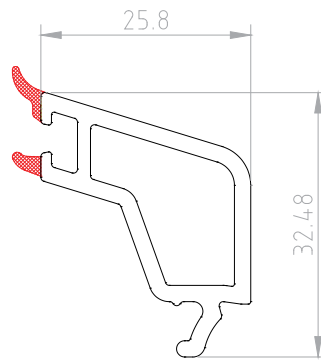
BF 1504
Sliding sash cover



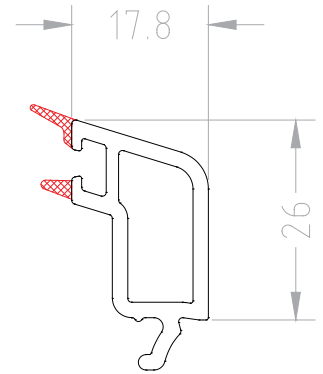
BF 7609
Glazing bead
24 mm



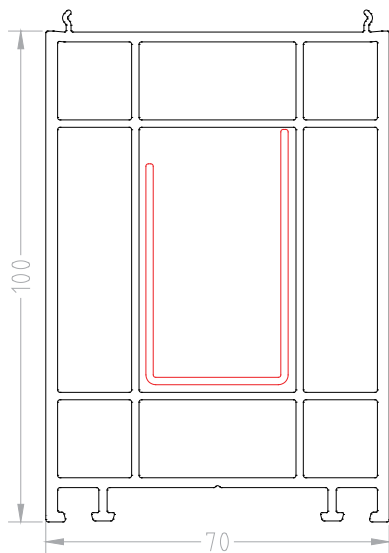
BF 8508
Glazing bead
28 mm



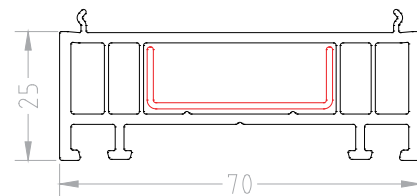
BF 8510
Glazing bead
36 mm



BF 5035
Extension
100 mm



BF 5031
Extension
25 mm



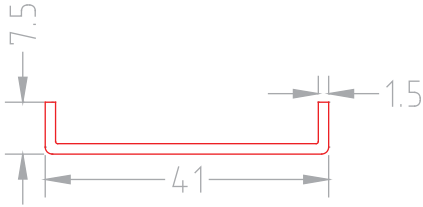
Glazing Beads for uPVC Windows and Doors

Glazing beads are crucial components in uPVC windows and doors, ensuring the glass panes are securely held in place while providing a neat and finished appearance. These beads are typically made from the same uPVC material as the window or door frames, ensuring a seamless and cohesive look.

Durability
Low Maintenance
Energy Efficiency

Iron reinforcement

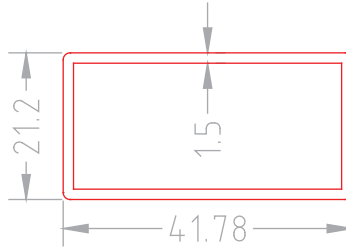
Can be used for:
BF 1501 Frame profile



BF 417-12 (Thickness 1.2mm) **BF 417-15** (Thickness 1.5mm) **BF 417-20** (Thickness 2.0mm)

Iron reinforcement

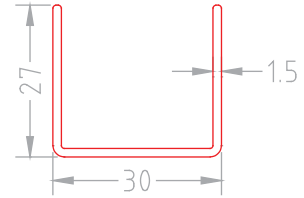
Can be used for:
BF 1501 Frame profile



BF 418-12 (Thickness 1.2mm) **BF 418-15** (Thickness 1.5mm) **BF 418-20** (Thickness 2.0mm)

Iron reinforcement

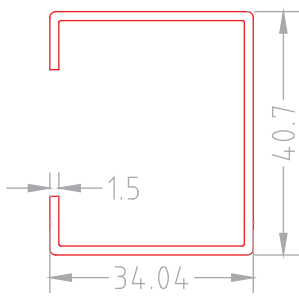
Can be used for:
BF 7615 T Bar profile



BF 409-12 (Thickness 1.2mm) **BF 409-15** (Thickness 1.5mm) **BF 409-20** (Thickness 2.0mm)

Iron reinforcement

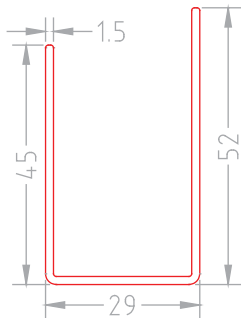
Can be used for:
BF 1502 Sash profile



BF 419-12 (Thickness 1.2mm)
BF 419-15 (Thickness 1.5mm)
BF 419-20 (Thickness 2.0mm)

Iron reinforcement

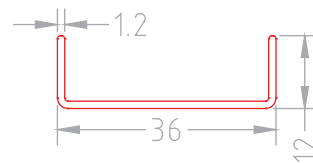
Can be used for:
BF 5035 Profile extension 100mm



BF 407-10 (Thickness 1.0mm)
BF 407-12 (Thickness 1.2mm)
BF 407-15 (Thickness 1.5mm)

Iron reinforcement

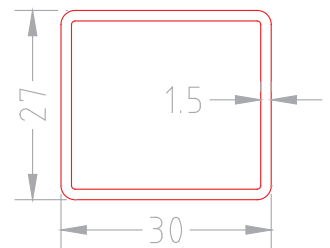
Can be used for:
BF 5031 Profile extension 25mm



BF 408-12 (Thickness 1.2mm)
BF 408-15 (Thickness 1.5mm)
BF 408-20 (Thickness 2.0mm)

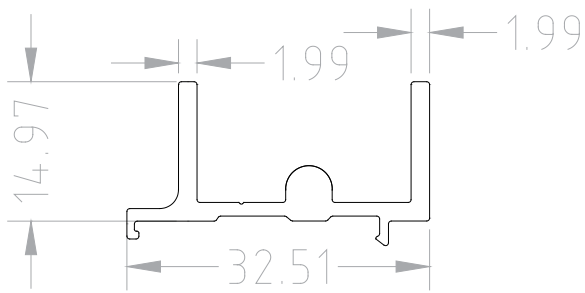
Iron reinforcement

Can be used for:
BF 7615 T bar squared

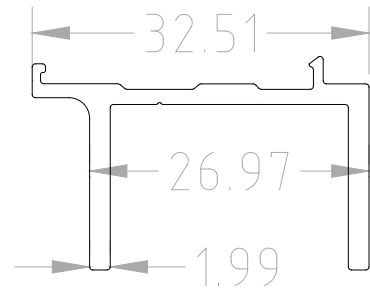


BF 413-12 (Thickness 1.2mm)
BF 413-15 (Thickness 1.5mm)
BF 413-20 (Thickness 2.0mm)

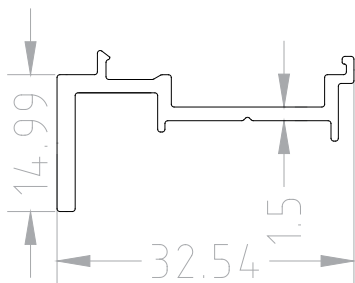
BF 1511 - Under rail



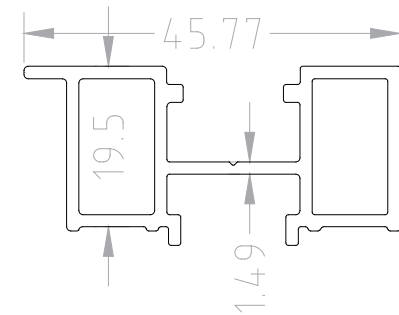
BF 1512 - Top guide



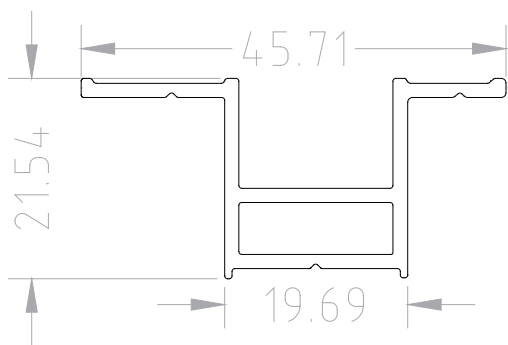
BF 1514 - Plate guide



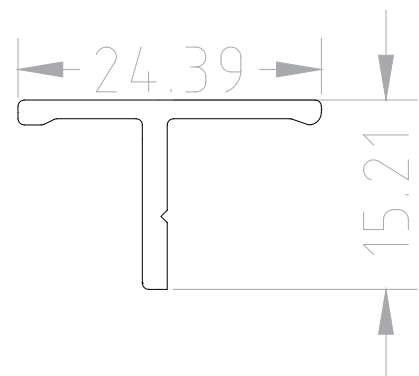
**BF 1513
Espagnolette extension**



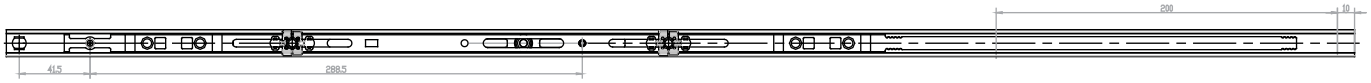
BF 1515 - Double sash connector



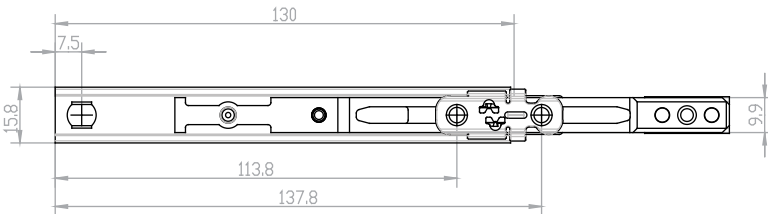
BF 1516- T cover



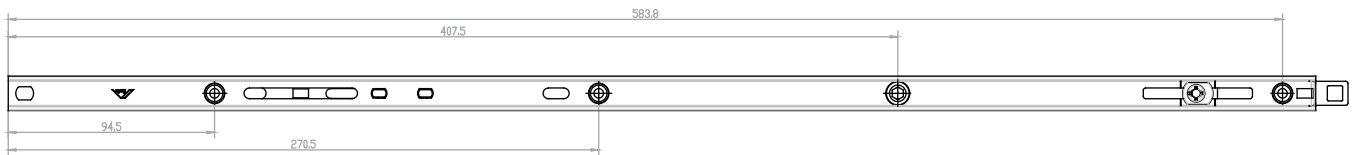
603444 - Central locking



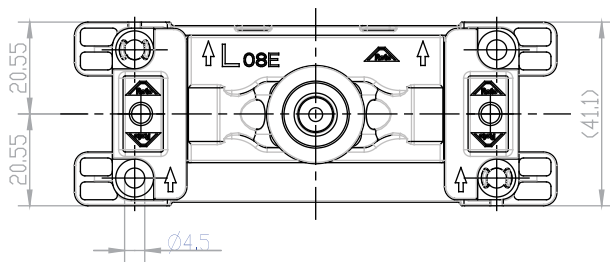
764350 - Centre lock componente - Horizontal



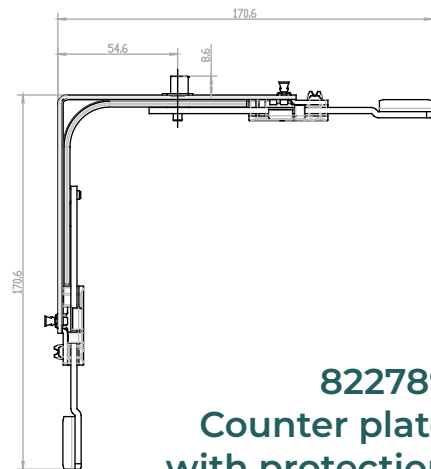
255281 - Centre lock componente - Vertical



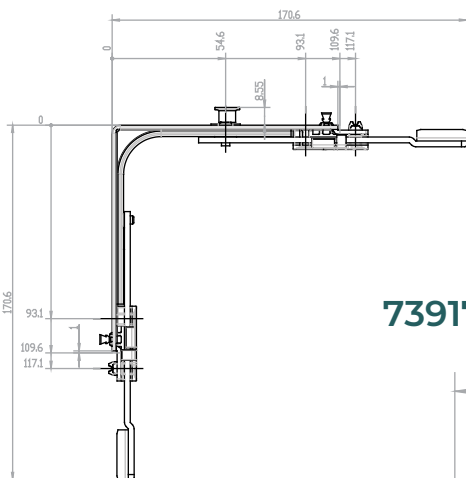
821685 - Control unit



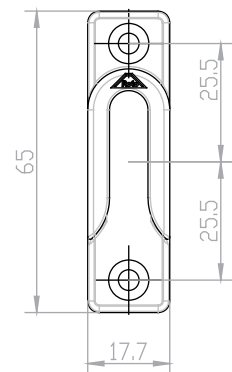
260275 - Corner drive



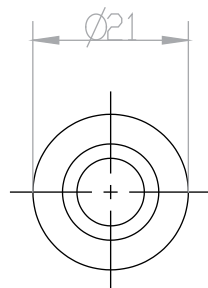
260272 - Corner drive



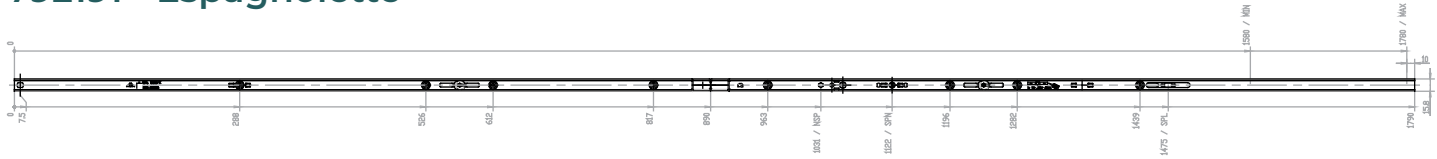
822789 Counter plate with protection



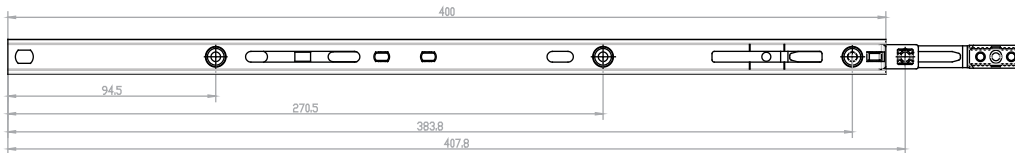
739179 - Stopper



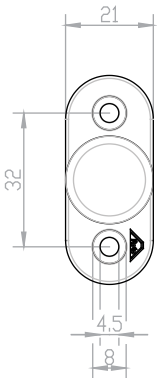
792191 - Espagnolette



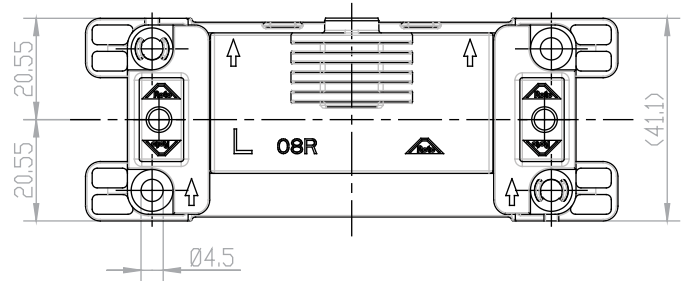
297858 - Espagnolette extension



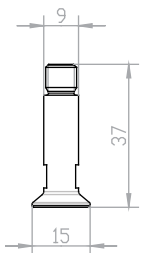
635307 - Front stopper



821687 - Left central lock



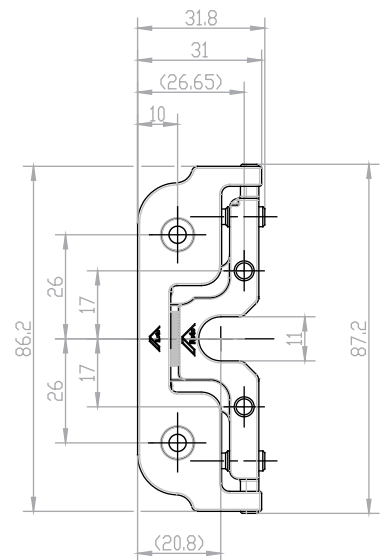
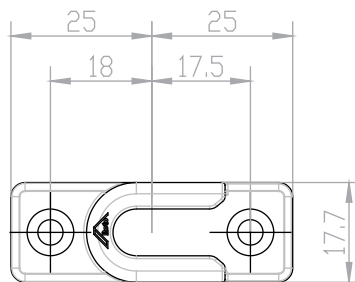
2031030 - Locking pin



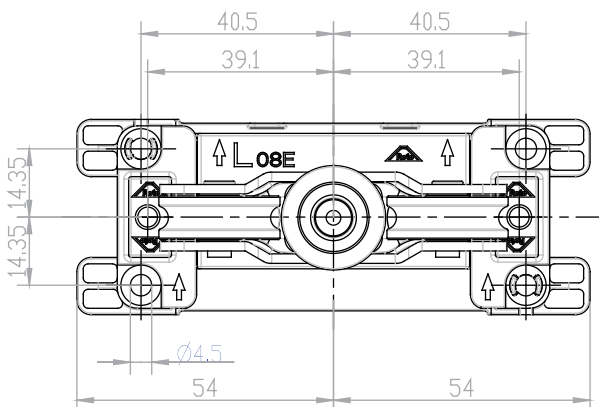
2031030

Standard equivalent

793493 - MUL striker



821686 - Roller unit

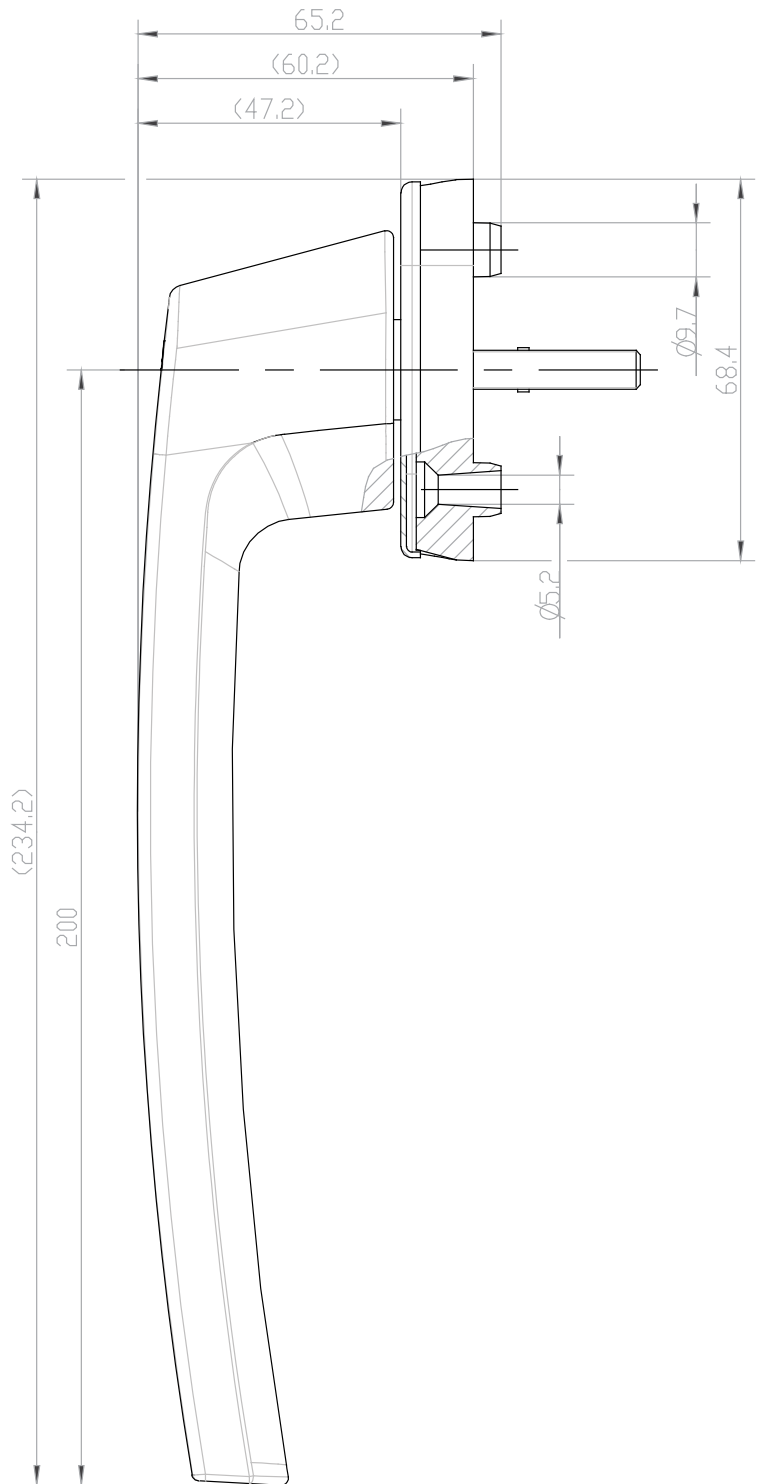


Unique slide

Slide system

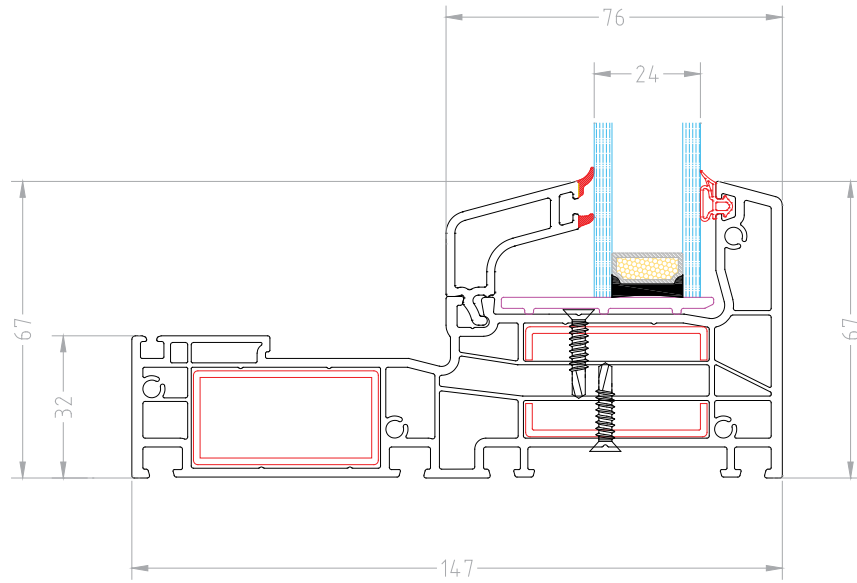
Handle for sliding system

799005
Handle for Unique slide

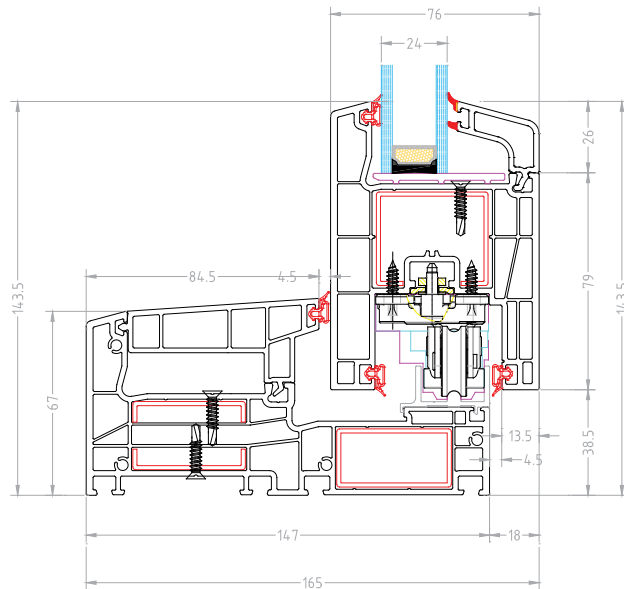


Provided by Roto
Germany 

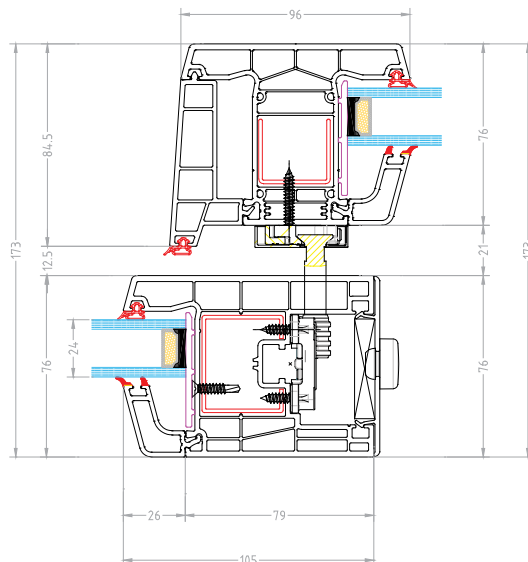
Sliding frame
Application of frame with glass



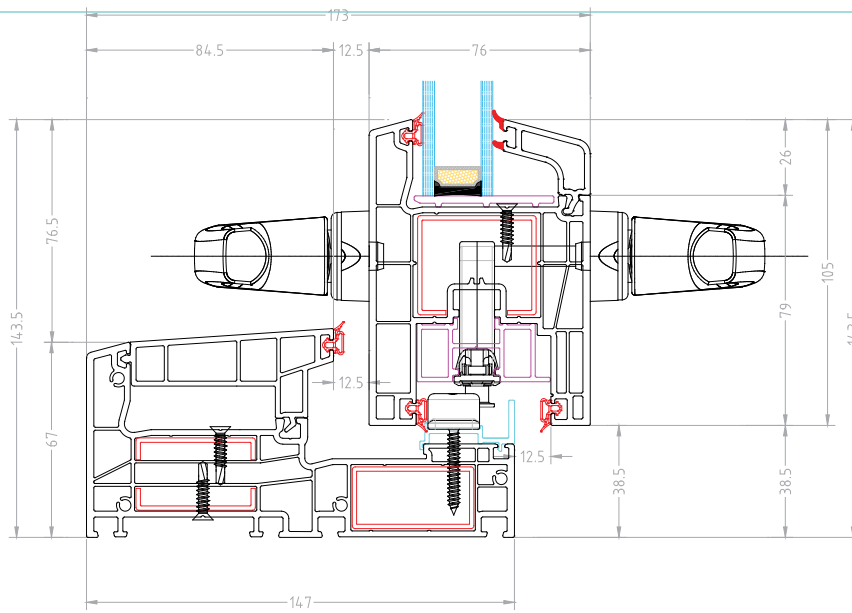
Slide system
Assembly of full slide system



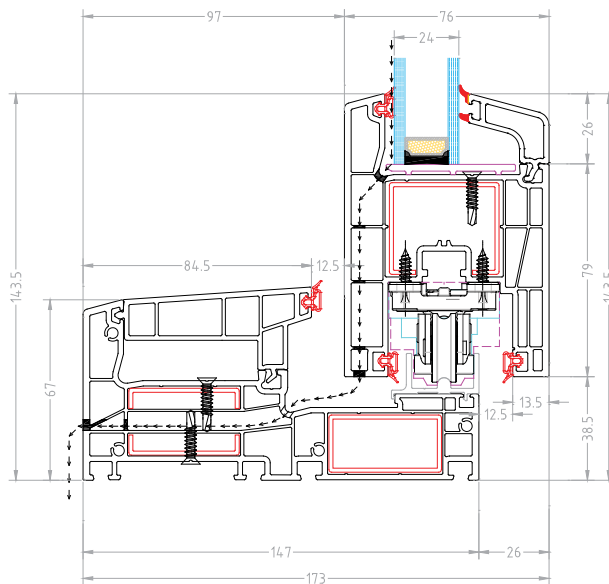
T-bar application
Application of Mullion (T-bar) profile



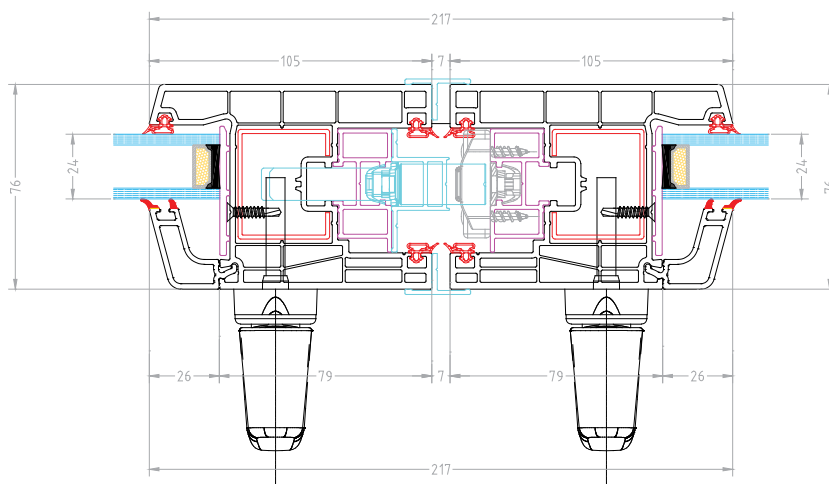
Slide system
Assembly with handles



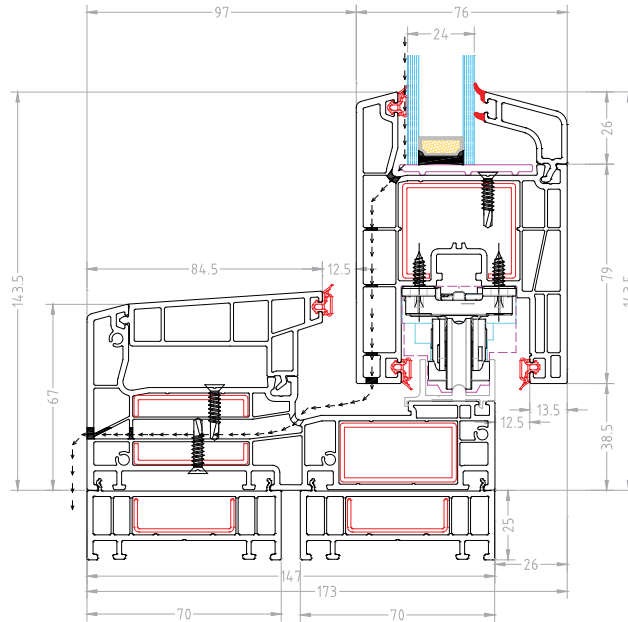
Drainage
view



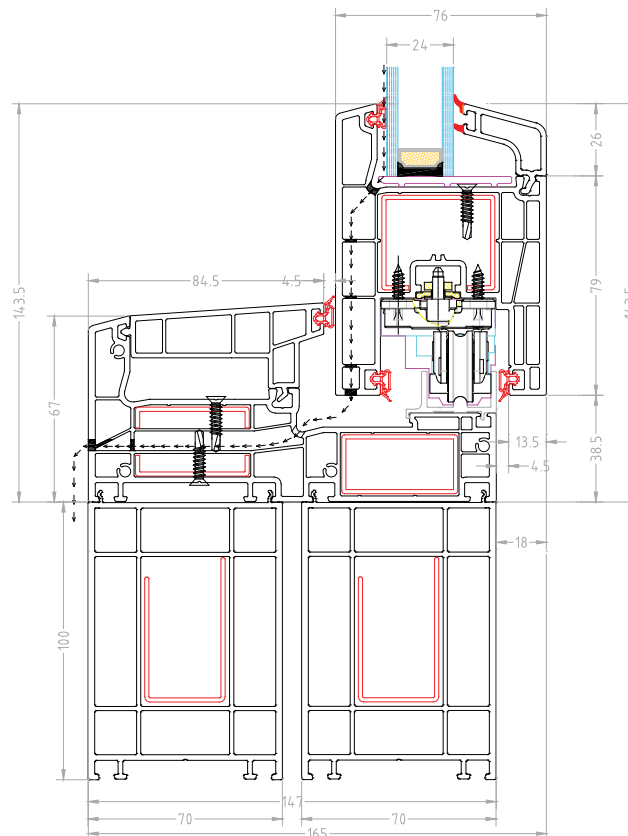
Double
slide system
Application
of two sliding sash

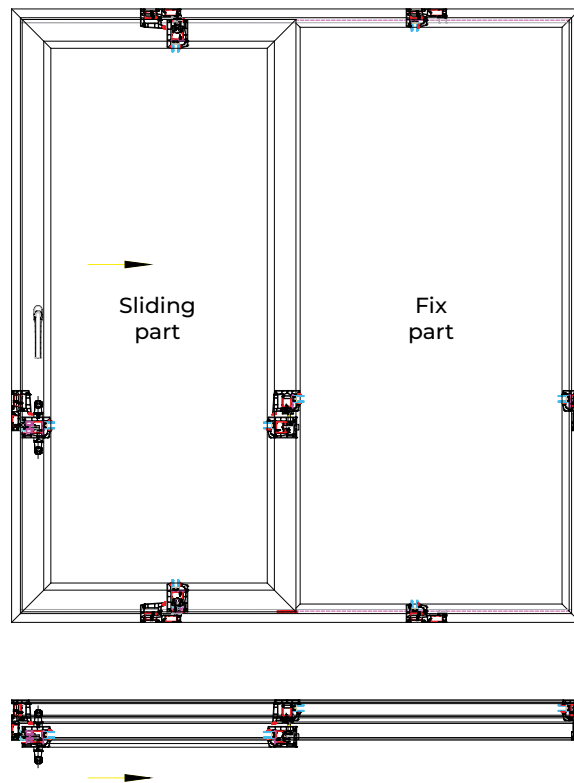
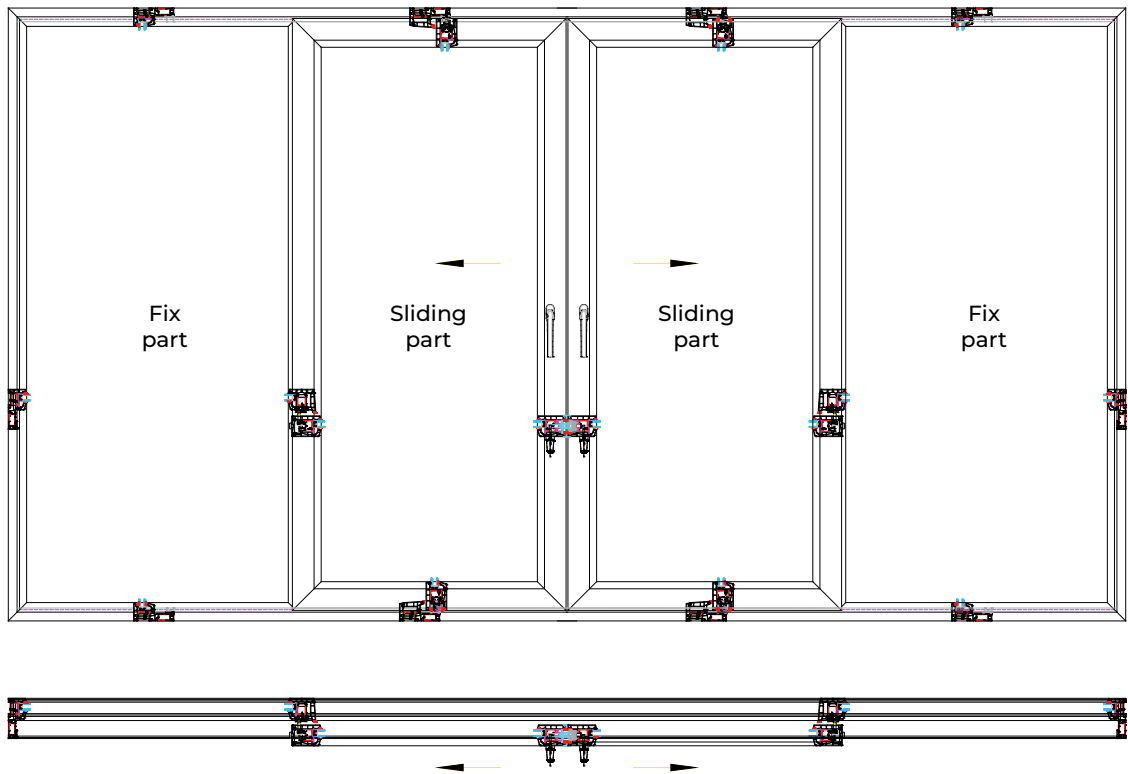


Slide system
Application of 25mm extension



Slide system
Application of 100mm extension







Long Lifespan

With proper installation, uPVC profiles can last 20–40 years or more, maintaining their appearance and performance over time.

Atmoslide

The Atmoslide system enhances design versatility, particularly as a window solution. Unlike tilt/turn variants, its sliding mechanism keeps the sash securely in place while providing ample space for contemporary design ideas and personalized indoor comfort. The sash runs smoothly along its track without swerving inward, ensuring both safety and a sleek appearance.

Space Efficiency

The sliding mechanism allows for more usable space inside the room, as the sash doesn't swing inward or outward.

Enhanced Security

The design ensures the sash remains tightly secured in its track, providing robust protection against forced entry.

Energy Efficiency

Excellent insulation properties help maintain indoor temperatures, reducing energy costs for heating and cooling.

Aesthetic Flexibility

The sleek and modern design can be customized to fit various architectural styles and personal preferences.



Quality and certified



Standard colors of our uPVC profiles

All other colors can be made to order



White



Anthracite



Golden Oak



Dark Oak



Nussbaum



Jet Black



Mahogany

Why to choose our products?

Our PVC window and door systems are manufactured using advanced technology and provide an excellent level of acoustic and thermal insulation, achieving the highest quality standards available.



Environment Friendly



Easy Installation



Cost Effective



Noise Reduction



Can be recycled



Less Maintenance



Fire Retardant



Long life



Thermal Insulation



Modern design



Premium uPVC profiles

Created from high-quality raw materials



Innovation

Enhanced durability and energy efficiency for construction needs



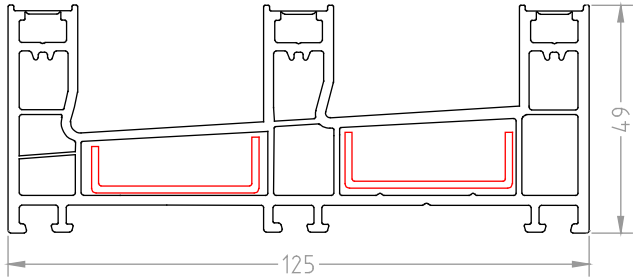
Reliability

Our uPVC profiles are designed for unmatched reliability

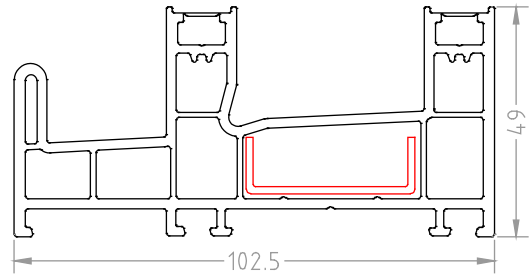


Scan code and read more informations about this uPVC profile series.

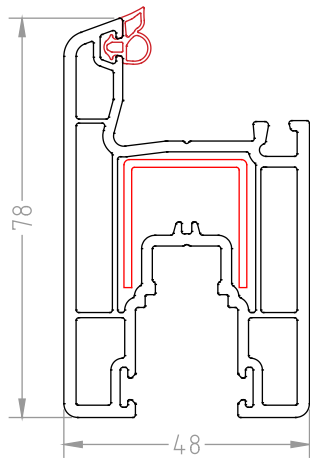
BF 3078
3 track sliding frame



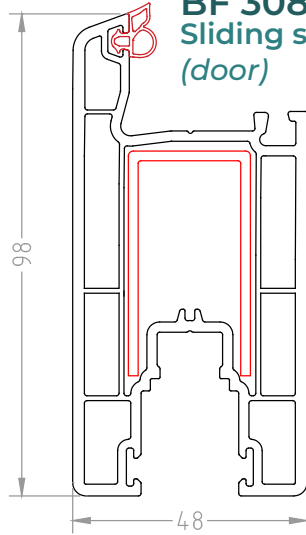
BF 3005
Slide frame profile
(with mosquito net)



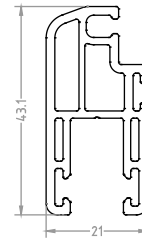
BF 3011
Sliding sash profile



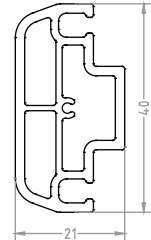
BF 3088
Sliding sash profile
(door)



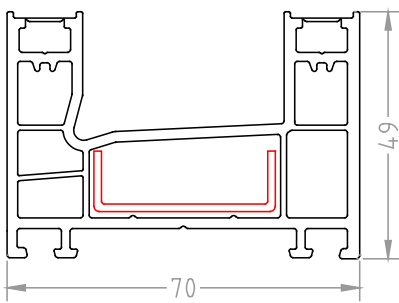
BF 3006
Sash profile with
mosquito net



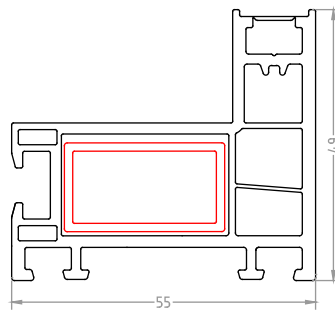
BF 3007
Mullion profile with
mosquito net



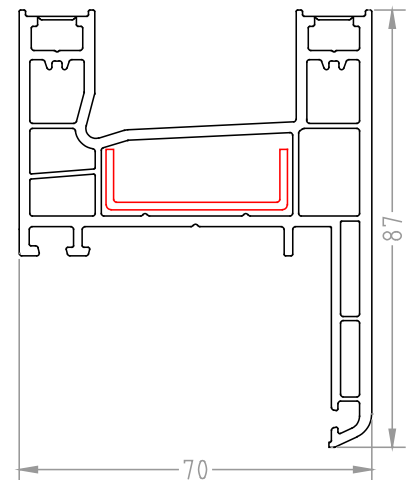
BF 3001
Door frame profile



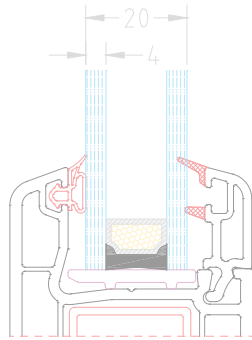
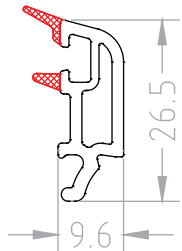
BF 3004
Sliding system
expansion profile



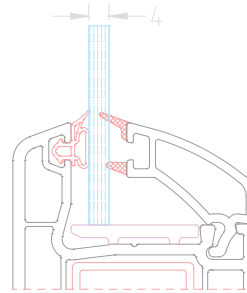
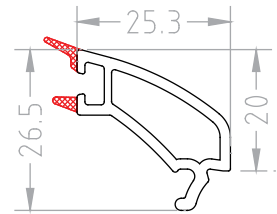
BF 3031
Sliding frame profile
with cornice



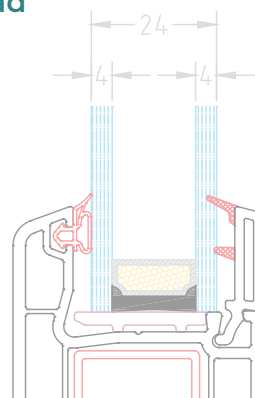
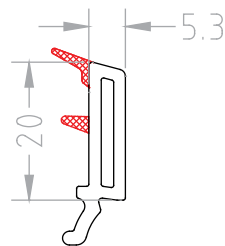
BF 7054
Double glazing bead
20 mm



BF 3041
Single glazing bead
4 mm



BF 7055
Double glazing bead
24 mm

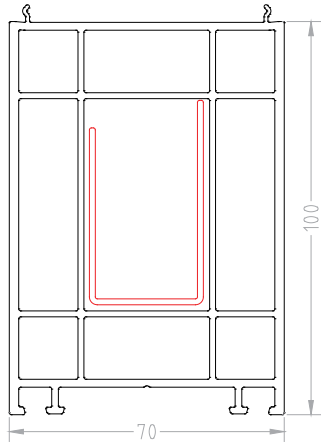


**Glazing Beads for uPVC
Windows and Doors**

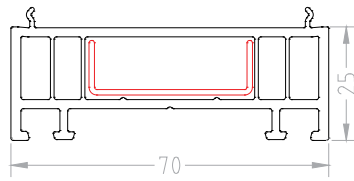
Glazing beads are crucial components in uPVC windows and doors, ensuring the glass panes are securely held in place while providing a neat and finished appearance. These beads are typically made from the same uPVC material as the window or door frames, ensuring a seamless and cohesive look.

- ✔ Durability
- ✔ Low Maintenance
- ✔ Energy Efficiency

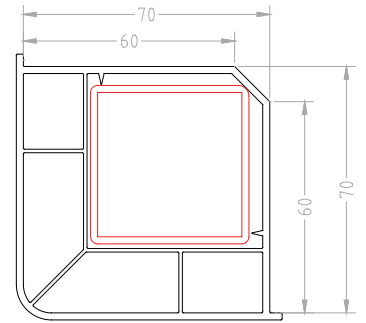
BF 5035
Profile extension
70*100mm



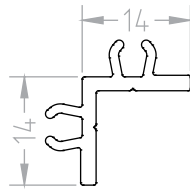
BF 5031
Profile extension
70*25mm



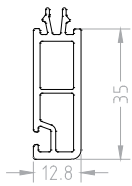
BF 7210
Connecting pillar



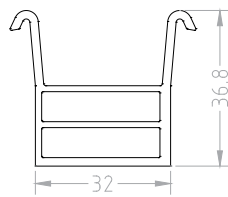
BF 3062
Edge Coupling



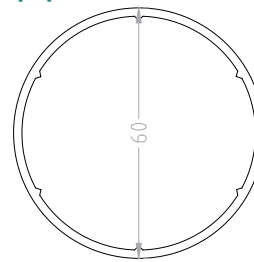
BF 5025
Additional cornice
part - Adaptor



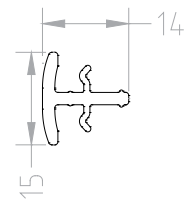
BF 7208
Blind box extension



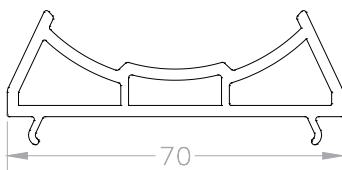
BF 7208
Angle connection
pipe



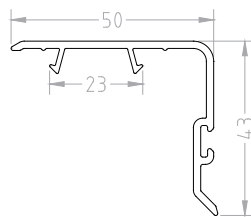
BF 7202
Connecting molding



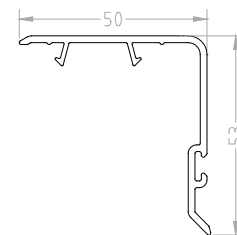
BF 7710
Pipe adaptor



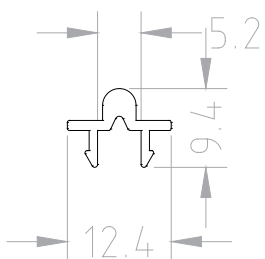
BF 3021
Interlock



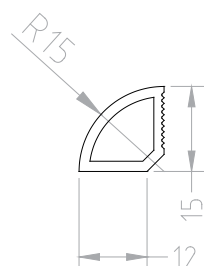
BF 3098
Interlock



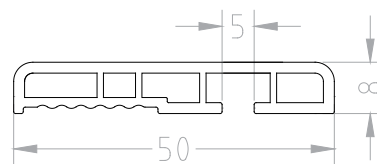
BF 3051
Aluminium sliding
rail



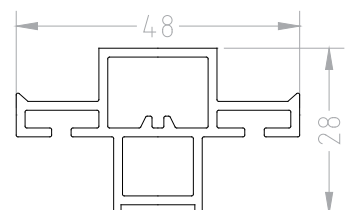
BF 5055
Cuarta caña



BF 5045
ContraMarco



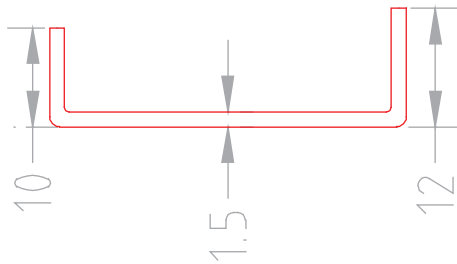
BF 3052
Aluminium sliding
rail



Iron reinforcement

Can be used for:

BF 3078 3 Track Sliding Frame Profile



BF 420-12
(Thickness 1.2mm)

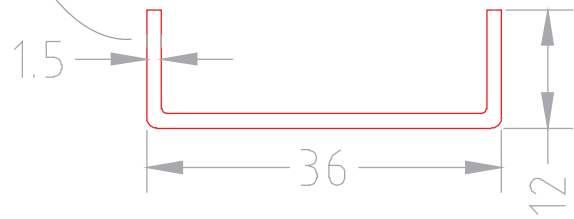
BF 420-15
(Thickness 1.5mm)

BF 420-20
(Thickness 2.0mm)

Iron reinforcement

Can be used for:

BF 3078 3 Track Sliding Frame Profile, **BF 3005** Slide frame profile, **BF 3001** Door frame, **BF 3031** Sliding frame profile with cornice



BF 408-12
(Thickness 1.2mm)

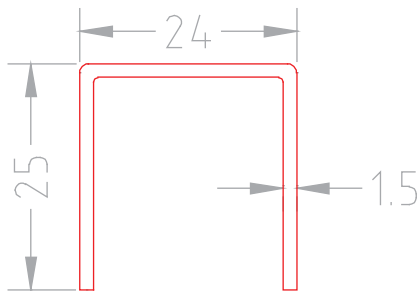
BF 408-15
(Thickness 1.5mm)

BF 408-20
(Thickness 2.0mm)

Iron reinforcement

Can be used for:

BF 3011 Sliding sash



BF 401-12
(Thickness 1.2mm)

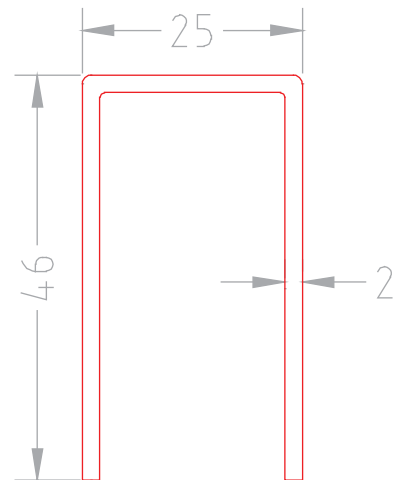
BF 401-15
(Thickness 1.5mm)

BF 401-20
(Thickness 2.0mm)

Iron reinforcement

Can be used for:

BF 3088 Sliding sash



BF 421-12
(Thickness 1.2mm)

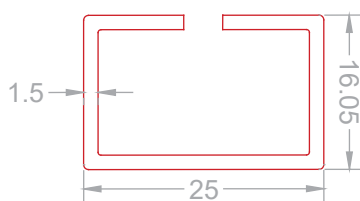
BF 421-15
(Thickness 1.5mm)

BF 421-20
(Thickness 2.0mm)

Iron reinforcement

Can be used for:

BF 3004 Expansion profile



BF 427-12
(Thickness 1.2mm)

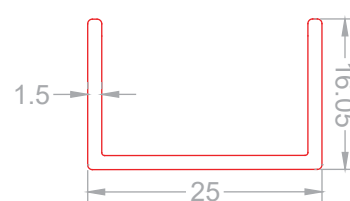
BF 427-15
(Thickness 1.5mm)

BF 427-20
(Thickness 2.0mm)

Iron reinforcement

Can be used for:

BF 3004 Expansion profile



BF 428-12
(Thickness 1.2mm)

BF 428-15
(Thickness 1.5mm)

BF 428-20
(Thickness 2.0mm)



619223
Recessed
Hidden
Handle



605543
Recessed
Handle



312766
Pop-up
sliding
handle



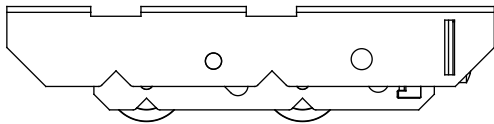
613193
Sliding
handle



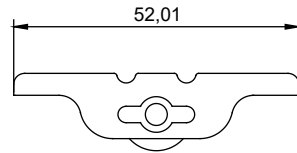
613217
Sliding
handle



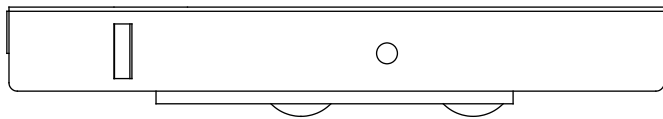
613199
Sliding handle
*Without cylinder
with long plate*



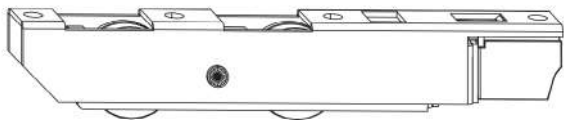
464367
Driving wheel



476023
Driving wheel



224947
Driving wheel

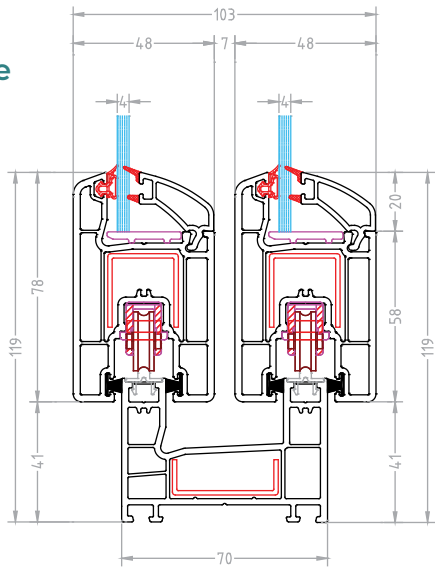


603430
Driving wheel (200kg)

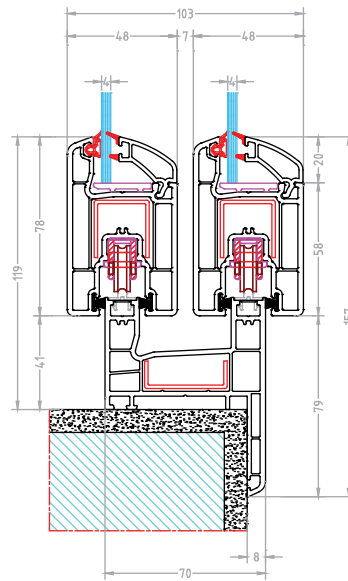


615951
Driving wheel (120kg)

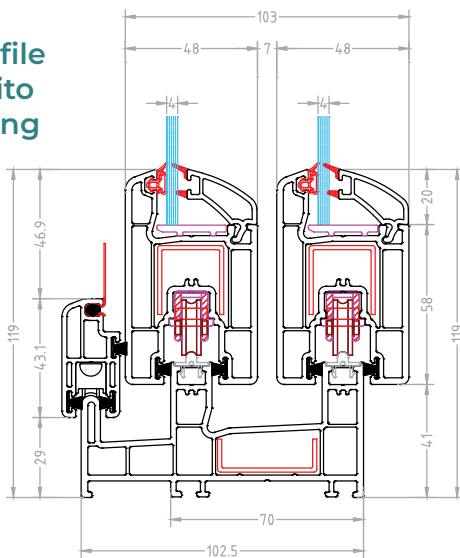
Application of door frame and sliding sash



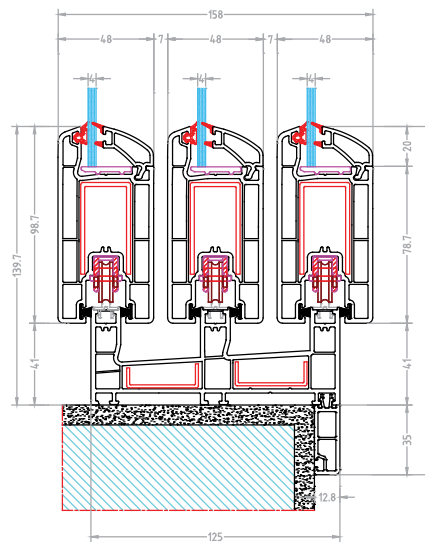
Application of door frame with cornice and sliding sash



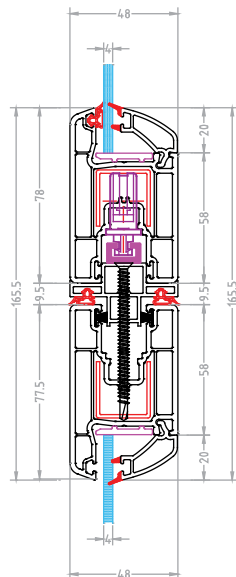
Application of frame profile with mosquito net and sliding sash profile



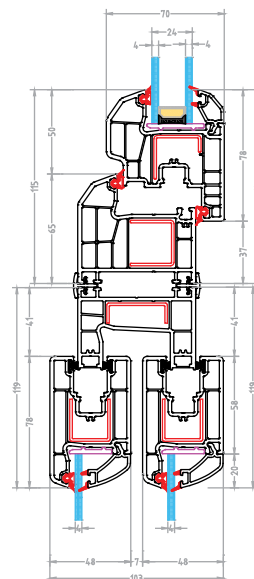
Application of 3 track frame profile with additional adaptor and sliding sash profile



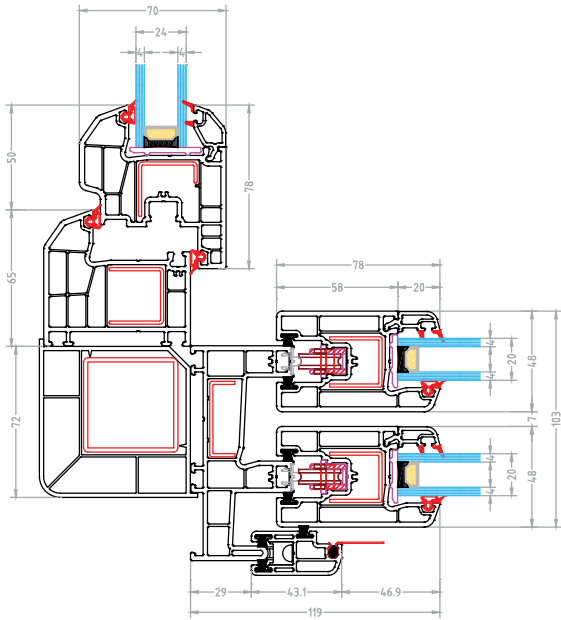
Application of sliding sash profile



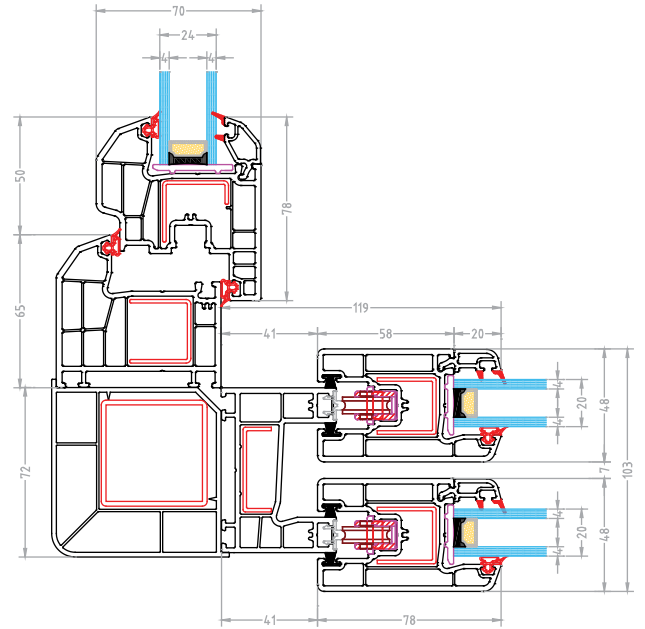
Application of door frame profile



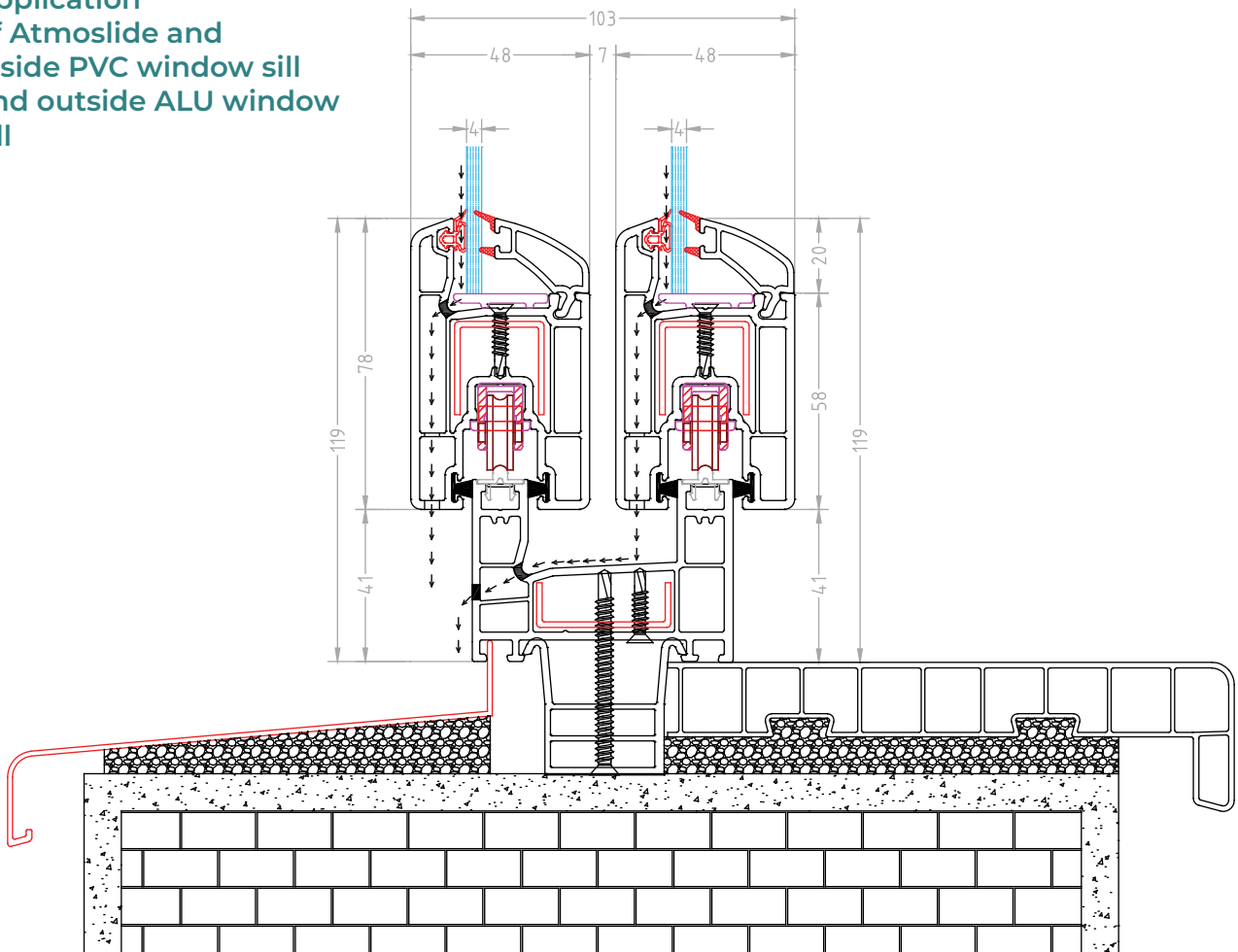
Application of Atmoslide system (with mosquito net) and 7000 series



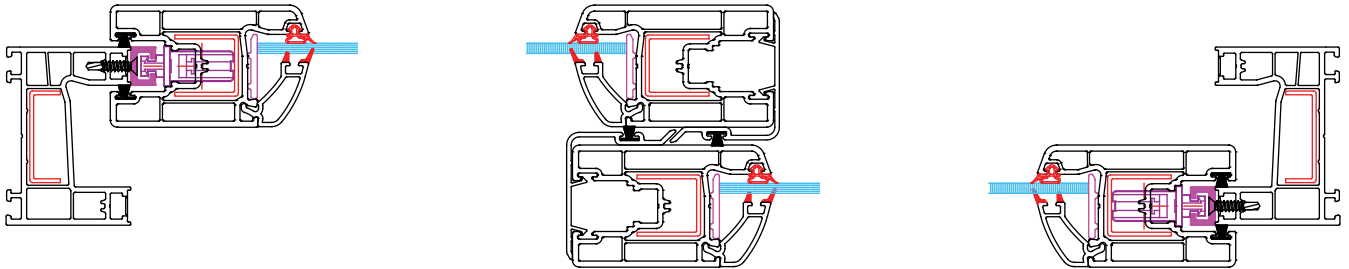
Application of Atmoslide system and 7000 series



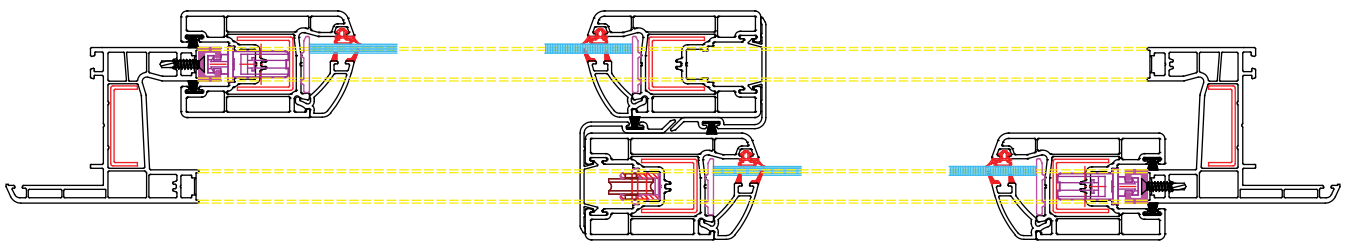
Application of Atmoslide and inside PVC window sill and outside ALU window sill



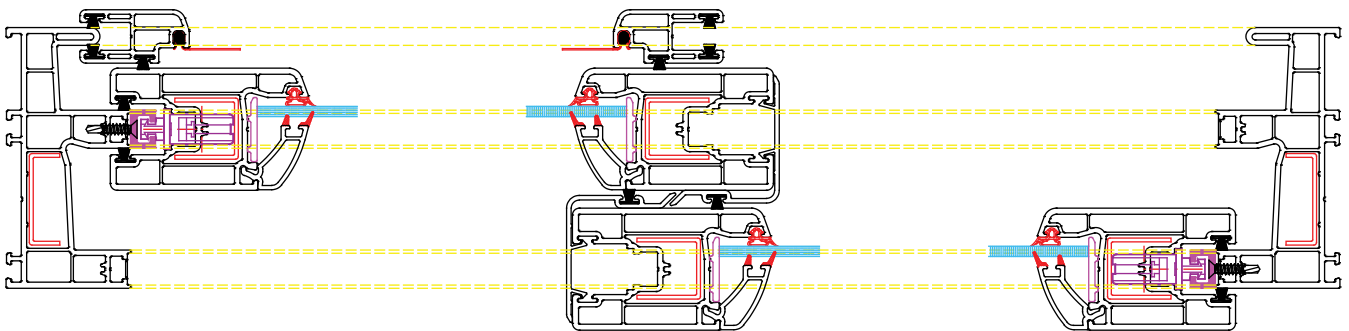
Application of door frame profile and sliding sash profile



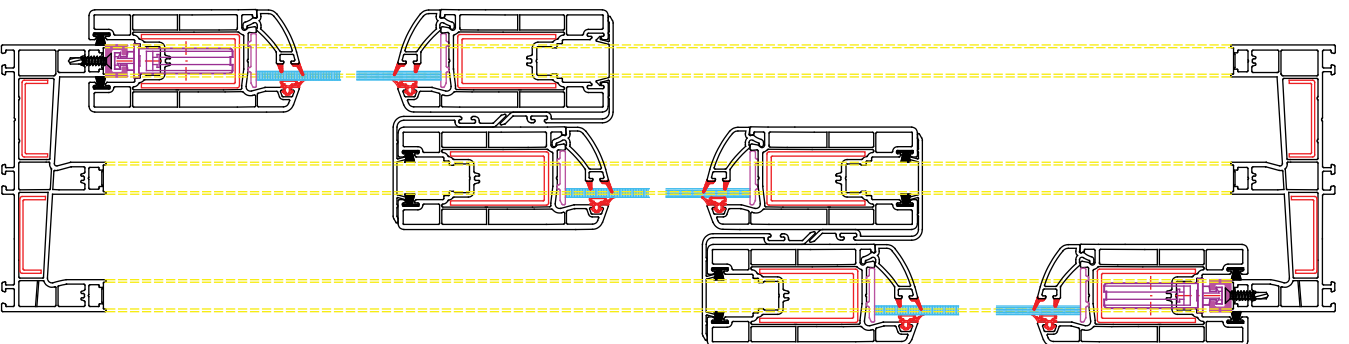
Application of door frame profile with cornice and sliding sash profile



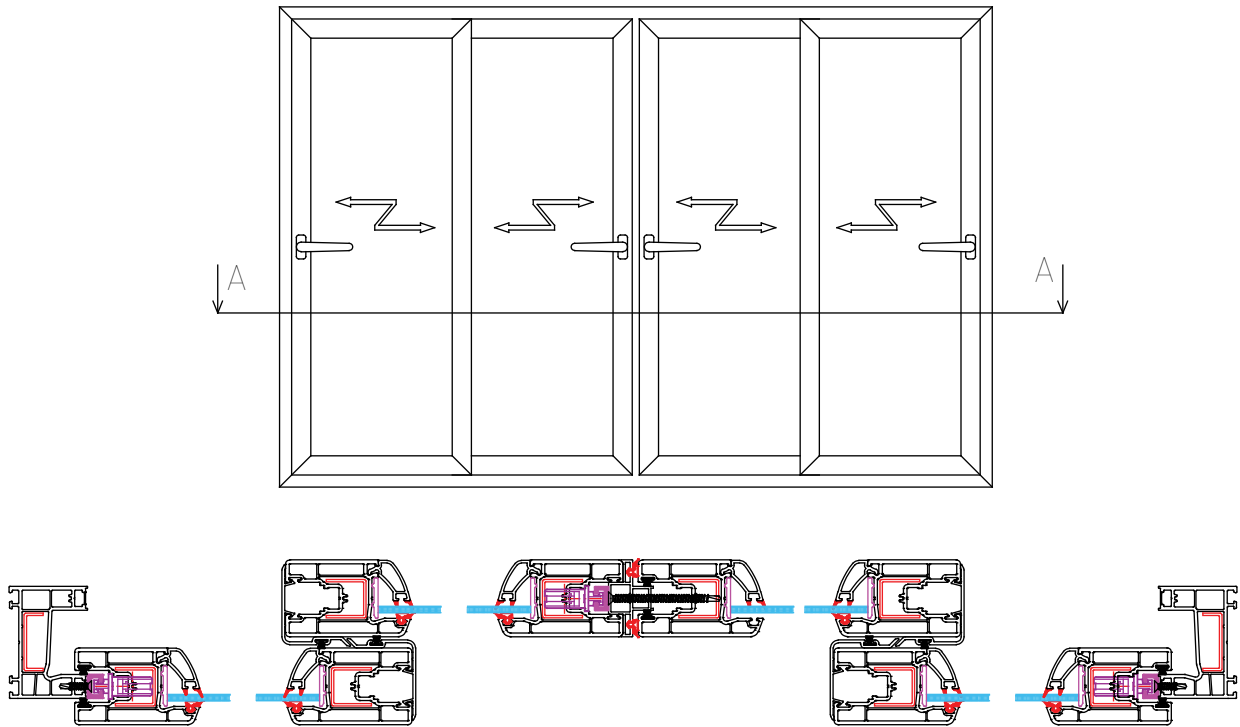
Application of frame profile with mosquito net and sliding sash profile



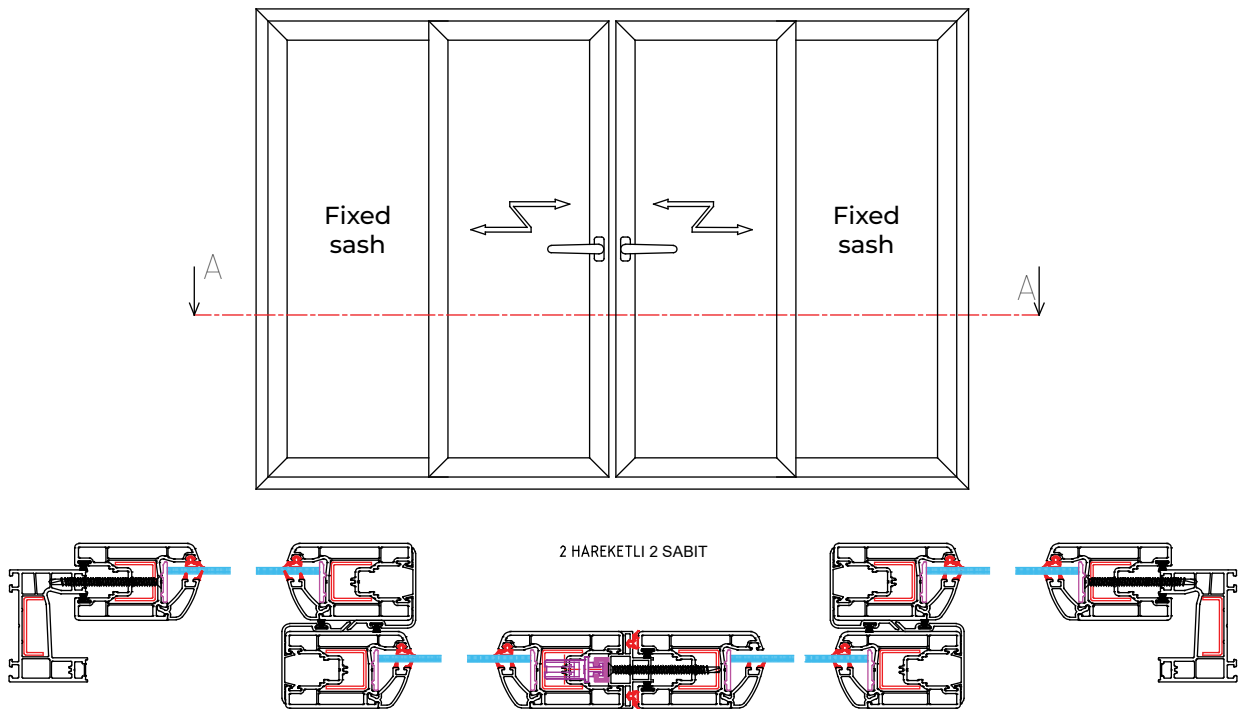
Application of 3 track frame profile and sliding sash profile



Atmoslide with 4 sliding sash

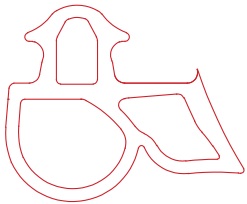
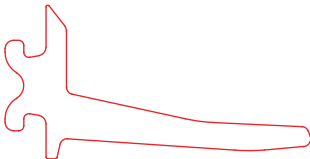
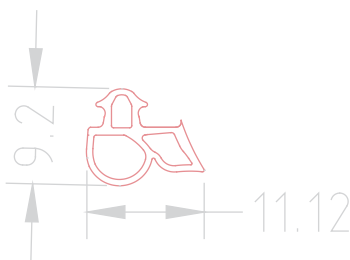
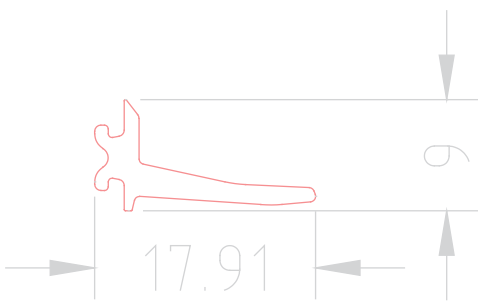


Atmoslide with 2 sliding sash and 2 fixed sash



Gaskets

High-Performance Gaskets for uPVC Windows and Doors

<h2>Side gasket</h2> 	<h2>Middle gasket</h2> 
	



Gaskets

Our uPVC profiles are equipped with premium-quality gaskets designed to deliver exceptional sealing performance, durability, and energy efficiency. These gaskets are an integral part of our window and door systems, ensuring optimal insulation and long-lasting protection against the elements.

Superior Sealing

Our gaskets provide a tight, reliable seal that prevents air, water, and dust infiltration, enhancing the thermal and acoustic insulation of your windows and doors.

Durable Material

Made from high-grade EPDM or TPE rubber, our gaskets are resistant to UV radiation, ozone, and extreme weather conditions, ensuring long-term performance without cracking or shrinking.

Flexible Design

Engineered for a perfect fit within our uPVC profiles, the gaskets maintain their elasticity and shape over time, even with frequent opening and closing.

Energy Efficiency

By minimizing heat loss and drafts, our gasket systems contribute to improved energy efficiency and reduced heating and cooling costs.

Why to choose our products?

Our PVC window and door systems are manufactured using advanced technology and provide an excellent level of acoustic and thermal insulation, achieving the highest quality standards available.



Environment Friendly



Easy Installation



Cost Effective



Noise Reduction



Can be recycled



Less Maintenance



Fire Retardant



Long life



Thermal Insulation



Modern design



Premium uPVC profiles

Created from high-quality raw materials



Innovation

Enhanced durability and energy efficiency for construction needs



Reliability

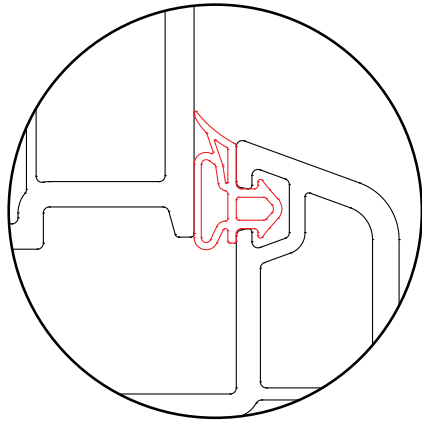
Our uPVC profiles are designed for unmatched reliability

Gaskets

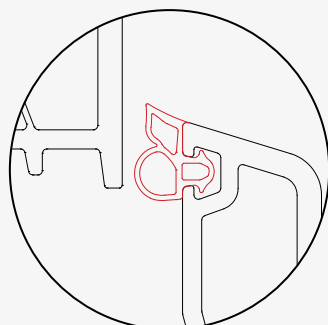
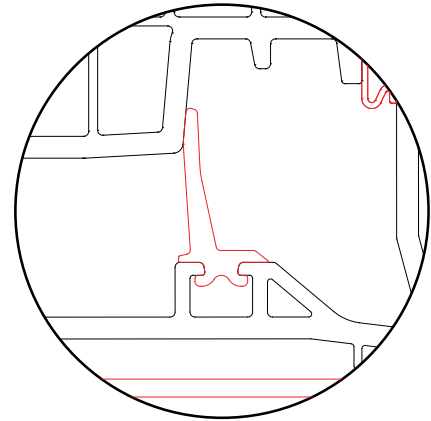
High-Performance Gaskets for uPVC Windows and Doors

Application of side gasket

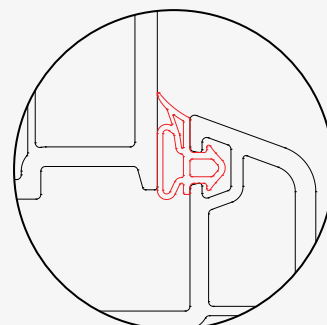
When used, the gasket is pressed



Application of middle gasket



Position: Open
Not pressed

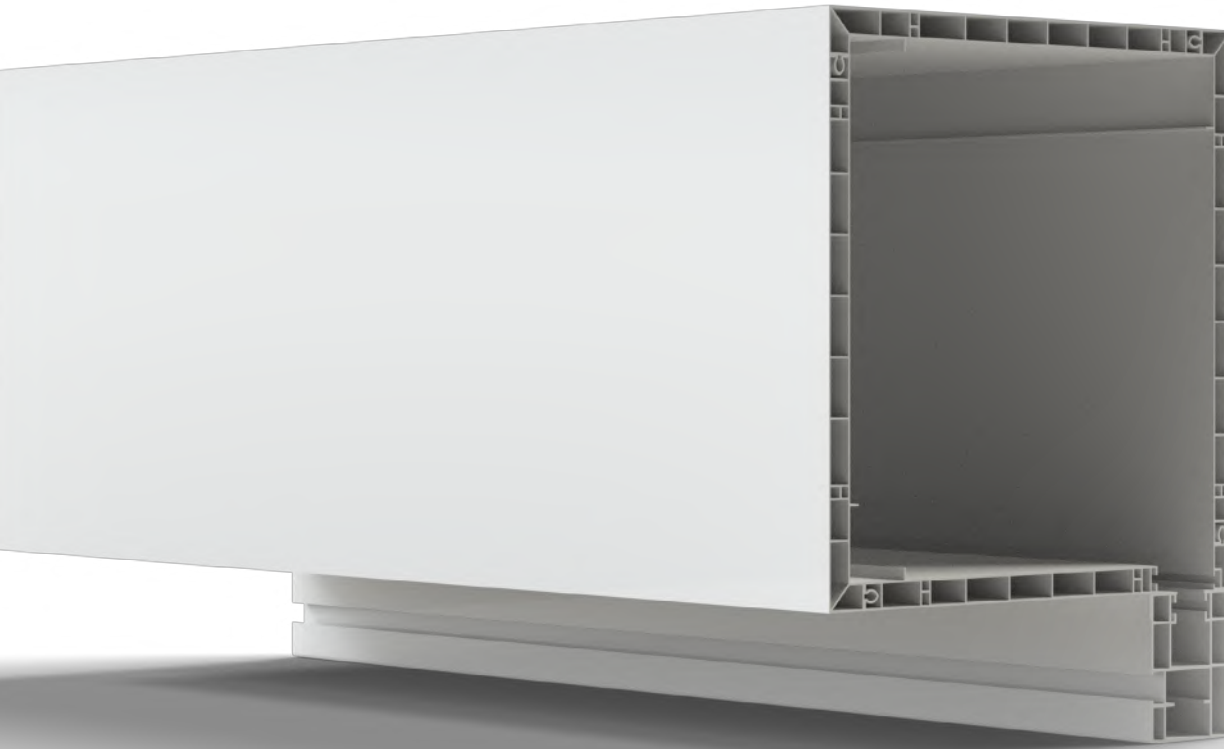


Position: Closed
Pressed



UV Resistant

Modern uPVC profiles are treated with UV stabilizers that prevent discoloration and degradation from prolonged sun exposure.



Engineered for Excellence. Designed for Durability.

We specialize in the production of high-quality uPVC boxes for roller shutters—combining innovation, functionality, and aesthetic appeal. Our shutter box systems are designed to meet the highest standards of thermal insulation, noise reduction, and long-term durability, making them the ideal solution for both residential and commercial applications.



Premium uPVC Material

Resistant to weather, UV radiation, and corrosion, our uPVC boxes ensure long-lasting performance with minimal maintenance.



Thermal & Acoustic Insulation

Engineered to enhance energy efficiency and indoor comfort by reducing heat loss and external noise.



Customizable Design

Available in a variety of sizes, colors, and finishes to seamlessly integrate with any architectural style.



Easy Installation & Maintenance

Lightweight yet robust construction allows for quick installation and hassle-free upkeep.



Compatible with Manual & Motorized Systems

Our boxes are designed to support both traditional and modern automation technologies.

Why to choose our products?

Our roller shutter boxes are manufactured using advanced technology and provide an excellent level of acoustic and thermal insulation, achieving the highest quality standards available.



Environment Friendly



Easy Installation



Cost Effective



Noise Reduction



Can be recycled



Less Maintenance



Fire Retardant



Long life



Thermal Insulation



Modern design



Quality products

Created from high-quality raw materials



Innovation

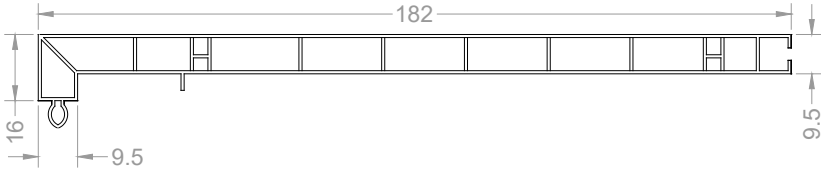
Enhanced durability and energy efficiency for construction needs



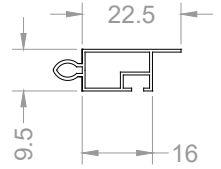
Reliability

Our products are designed for unmatched reliability

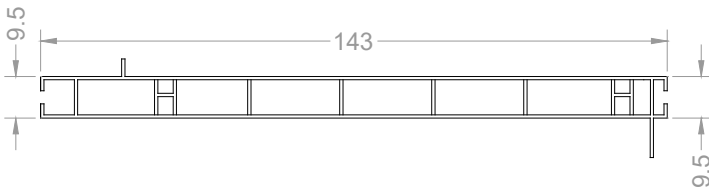
BF 1950
Side cover



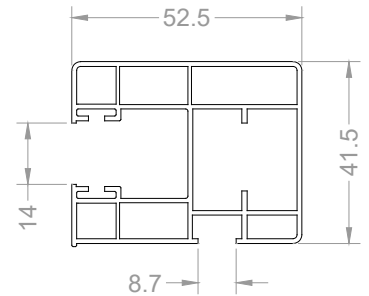
BF 1952
Bottom connector



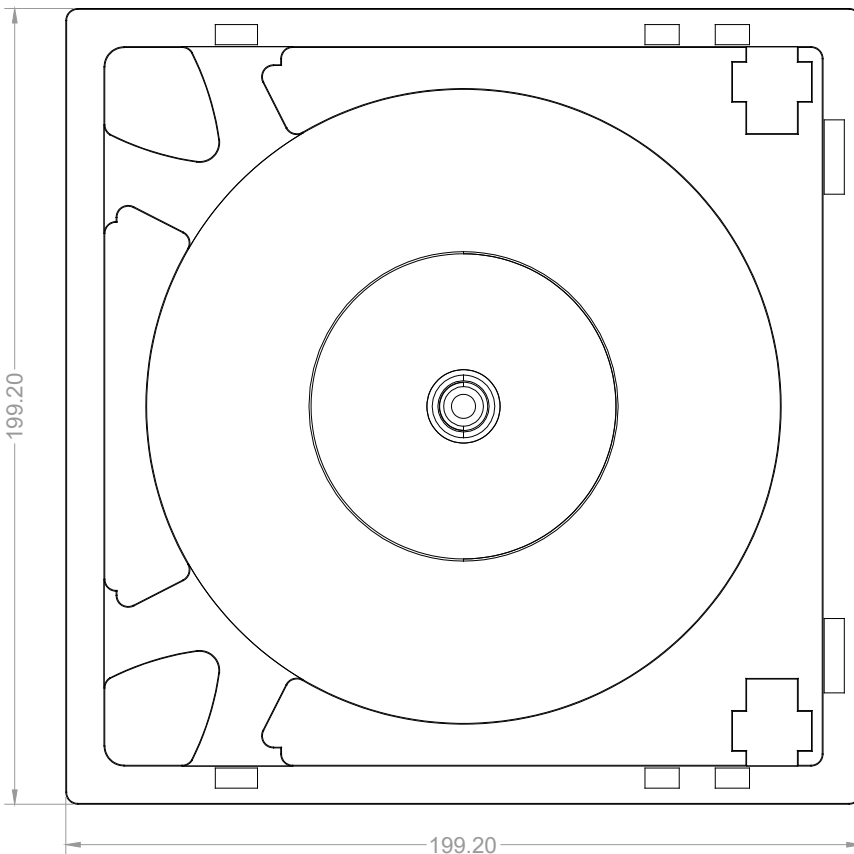
BF 1951
Bottom cover



BF 1953
PVC rail guide



BF 1954
Roller shutter box cover



Durable and Moisture-Resistant

PVC window sills are highly resistant to moisture, scratches, and everyday wear, making them a long-lasting and low-maintenance choice for both residential and commercial interiors.

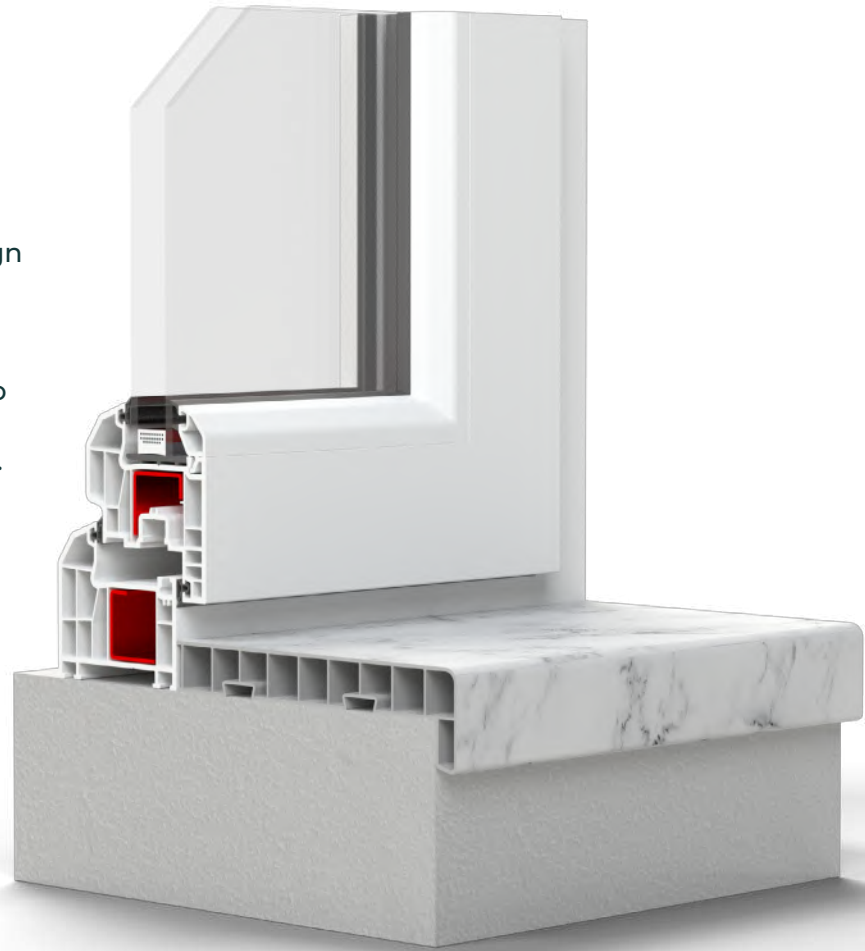


PVC window sills

Our PVC window sills combine modern design with exceptional performance, making them the perfect finishing touch for any window installation. Crafted from high-quality, moisture-resistant PVC, these sills are built to withstand daily wear and tear while maintaining their sleek appearance for years.

Whether you're renovating a home or outfitting a new building, our window sills offer:

- Waterproof and scratch-resistant surfaces
- UV stability to prevent fading and discoloration
- Easy cleaning with just a damp cloth—no special products needed
- Lightweight yet strong construction for easy installation
- A variety of colors and finishes, including wood-effect textures, to match any interior style



Available widths of PVC window sills:

¹ 15 cm

² 20 cm

³ 25 cm

⁴ 30 cm

Available colors of PVC window sills:

¹ Golden Oak

² Marble

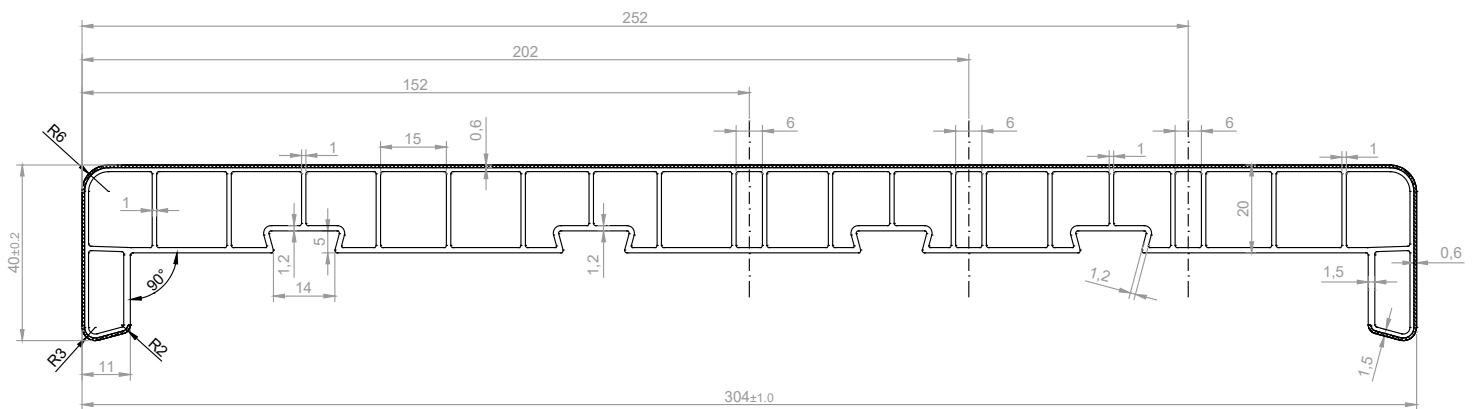
³ Anthracite

⁴ White

Window sills

Designed for both residential and commercial use

Drawings



The drawing above shows the unique design of our PVC window sills. Depending on the requirements and demand, the sills are cut to the dimensions indicated above.

View of window sills with side covers.



White



Golden Oak



Marble



Anthracite

OUR **VISION** IS YOUR **HAPPINESS**



E-mail
info@baufens.ba



Web
www.baufens.ba



Premium uPVC profiles



E-mail
info@baufens.ba



Web
www.baufens.ba

 **Baufens**[®]
Fenster & Türen



Scan for more info!
www.baufens.ba